

Hose Release Pliers



Function description

The hose release pliers SLZ are used for fast, easy and finger-friendly removal of pneumatic hoses from connectors. With the pliers, you can simultaneously press the release ring and pull the hose from the connector - all with only one hand.

Your advantages and benefits

Finger-friendly

for long, pleasant work periods

Flexible utilization

For use on plug-in connections from various manufacturers

Color marking of the SLZ size

for quickly finding the SLZ sizes in the toolbox for the correct hose diameter

Application example



Area of application

Tool for the fitter, for connecting and removing pneumatic hoses at plug-in connections.

General information

Material

Plastic

Sizes

Versions for standard hose sizes 4 mm, 6 mm and 8 mm.

Warranty

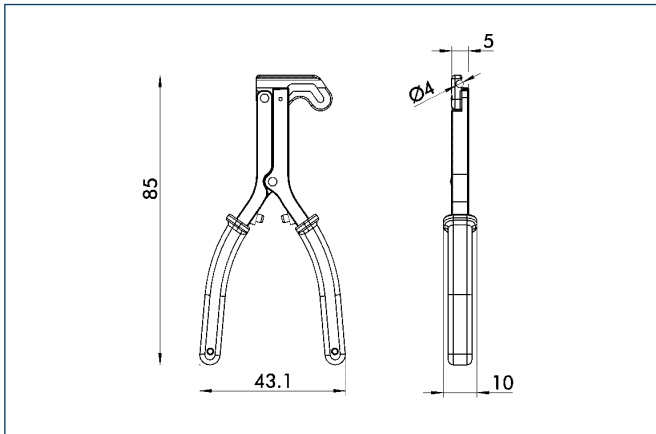
24 months



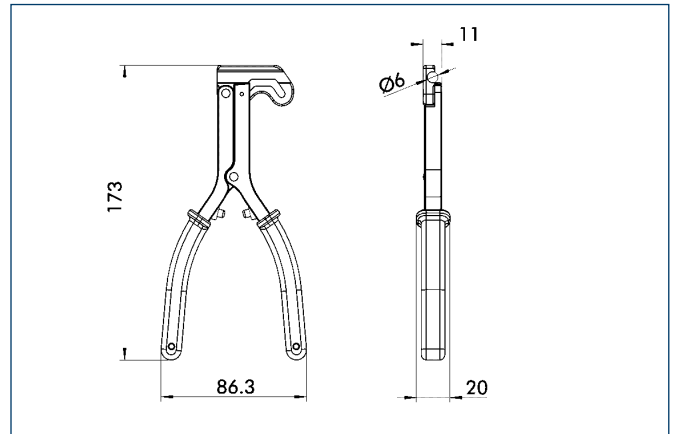
Technical data

Description		SLZ 4	SLZ 6	SLZ 8
	ID	0301020	0301021	0301022
For hose outer diameter	[mm]	4.0	6.0	8.0
Material		plastic	plastic	plastic

SLZ 4



SLZ 6



SLZ 8

