

PIN #	COLOR
1	BROWN
2	WHITE
3	BLUE
4	BLACK

REVISIONS			
REV.	DESCRIPTION	DATE	APPROVED
A	INITIAL RELEASE	7/28/2004	

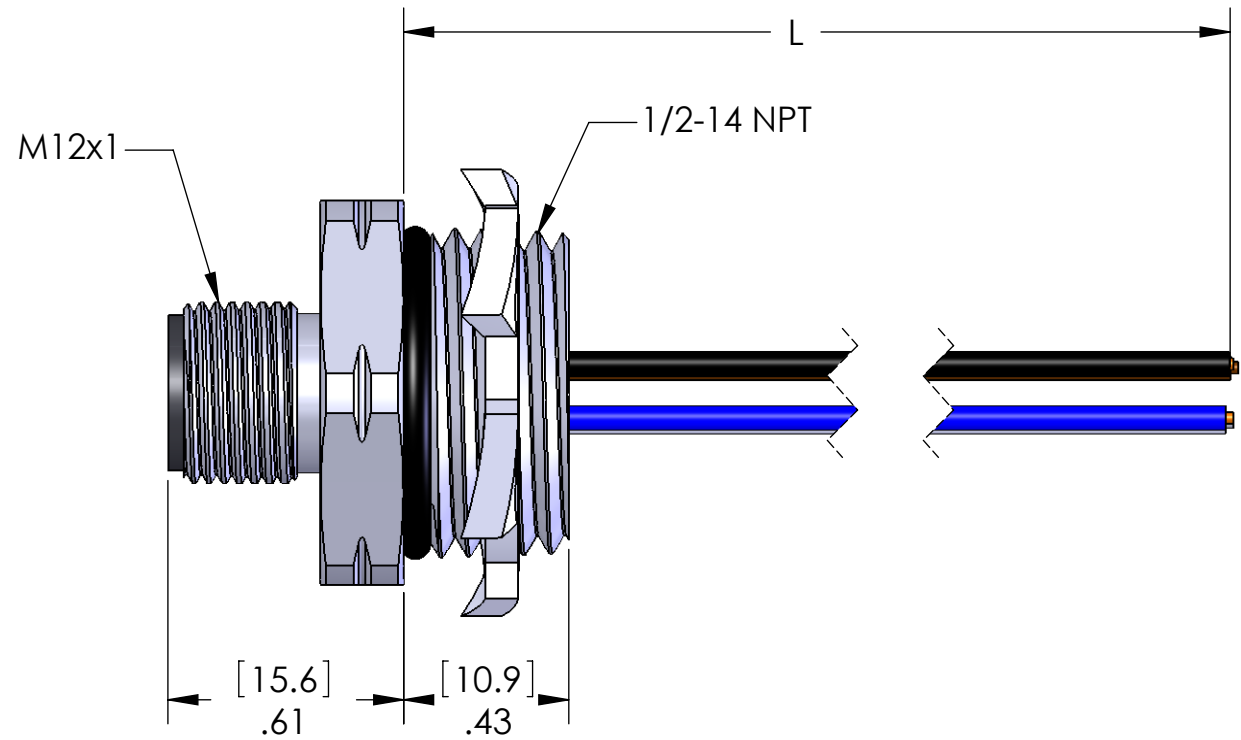
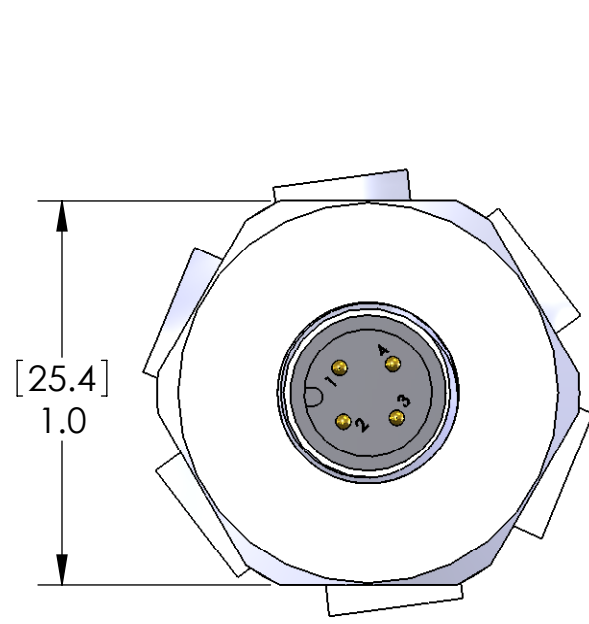


TABLE A	
P/N	L
M12-4MR-2	12"
M12-4MR-2-0.5M	19"
M12-4MR-2-1M	40"
M12-4MR-2-2M	79"
M12-4MR-2-3M	118"
M12-4MR-2-5M	197"
M12-4MR-2-10M	393"

MATERIALS:	
BODY:	ANODIZED ALUMINUM
INSERT:	POLYAMIDE
CONTACTS:	GOLD PLATED COPPER ALLOY
WIRE:	UL1007 22AWG
O-RING:	NBR
LOCKNUT:	ZINC PLATED STEEL

APPROVALS:	
US	UL RECOGNIZED
CANADA	C-UL RECOGNIZED

PROPRIETARY AND CONFIDENTIAL
 THE INFORMATION CONTAINED IN THIS DRAWING IS THE SOLE PROPERTY OF MURRELEKTRONIK, INC. ANY REPRODUCTION IN PART OR AS A WHOLE WITHOUT THE WRITTEN PERMISSION OF MURRELEKTRONIK, INC. IS PROHIBITED.

VOLTS	300V
AMPS	4A
TEMP	105°C
SPECIFICATIONS	

UNLESS OTHERWISE SPECIFIED:
 DIMENSIONS ARE IN INCHES AND [MM]
 MATERIAL
 FINISH
 DO NOT SCALE DRAWING

NAME	DATE
BEM	
DRAWN	
CHECKED	
ENG APPR.	
MFG APPR.	
Q.A.	
COMMENTS:	

MURRELEKTRONIK, INC.		
TITLE:		
SIZE	DWG. NO.	REV
B	M12-4MR-2-ZZ	A
SCALE: 2:1	WEIGHT:	SHEET 1 OF 1