

# IMMERSION HEATERS

## ET SERIES

Immersion Heaters are primarily used to help maintain oil temperature to avoid cold startups in cold operating conditions. They may also be utilized in water and other solutions.

### Standard Features:

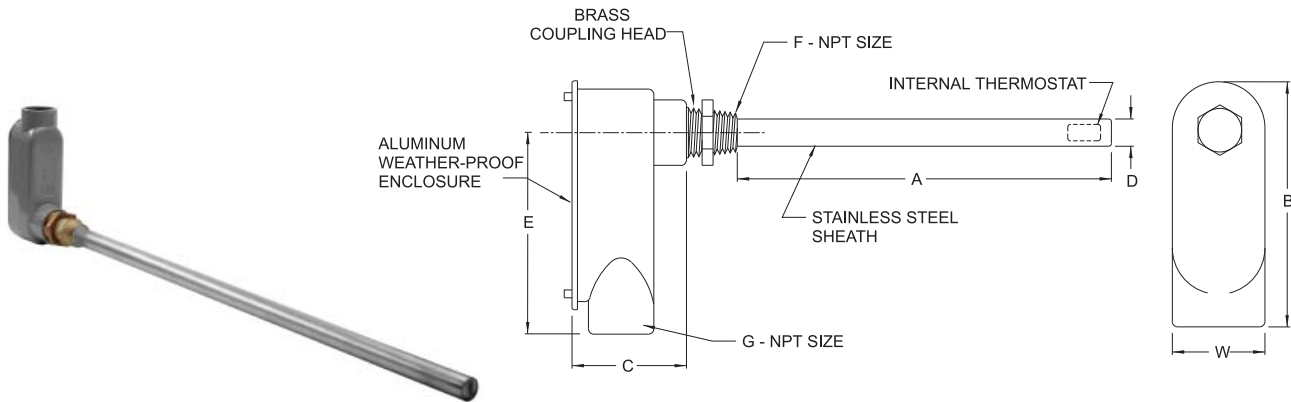
- Keeps oil at approximately 80°F
- Automatic built-in fixed setting thermostat normally closes at 70°F and opens at 100°F
- Will not burn oil
- UL recognized and CSA certified
- Weatherproof wiring enclosure (NEMA 4)
- 22 W/sq in power density on all ET Series heaters
- Interior thermostat has a 250VAC maximum rating
- For tanks larger than 500 gallon use multiple heaters
- Heaters over 10 amps, 480 volt, or three phase must be used with a contactor
- Amps = Watts ÷ Volts for single phase
- Amps = Watts ÷ (Volts x 1.73) for three phase
- Wiring diagram included with heater
- Please refer to Immersion Heaters Install and Wiring Instructions for information on installation (Appendix RA-13 on page RA-A13)

### CAUTION:

- Heaters must be mounted horizontally
- Do not mount from the top down
- Heaters must be immersed at all times
- Heaters are not rated for DC current

### NOTE:

The ET Series heaters will function when operated at lower than rated voltage, but with associated reductions in power output and efficiency



### Common Options Available

- Ambient Thermostat: open at 60° F/close at 40° F - 10A/240 VAC max (Part No. T-60)

### Custom Options Available

- Three Phase available on ET8 Models (add -3 to part number)
- Explosion proof models available

ET Series											
Part No.	Reservoir Size (gal)	Wattage	Volts	NPT		Dimensions (inches)					
				F	G	A	B	C	D	E	W
ET2-121	up to 10	125	120	1/2*	1/2	7.00	4.50	2.20	.70	3.60	1.30
ET2-251	up to 25	250	120	1/2*	1/2	8.00	4.50	2.20	.70	3.60	1.30
ET2-252	up to 25	250	240	1/2*	1/2	8.00	4.50	2.20	.70	3.60	1.30
ET3-501	25-50	500	120	3/4	3/4	12.60	5.10	2.50	.75	4.10	1.50
ET3-502	25-50	500	240	3/4	3/4	12.60	5.10	2.50	.75	4.10	1.50
ET3-504	25-50	500	480	3/4	3/4	12.60	5.10	2.50	.75	4.10	1.50
ET3-1001	50-100	1000	120	3/4	3/4	22.60	5.10	2.50	.75	4.10	1.50
ET3-1002	50-100	1000	240	3/4	3/4	22.60	5.10	2.50	.75	4.10	1.50
ET3-1004	50-100	1000	480	3/4	3/4	22.60	5.10	2.50	.75	4.10	1.50
ET8-2502	100-250	2500	240	2	1 1/4	23.00	8.20	3.70	1.90	6.70	2.80
ET8-2504	100-250	2500	480	2	1 1/4	23.00	8.20	3.70	1.90	6.70	2.80
ET8-5002	250-500	5000	240	2	1 1/4	44.00	8.20	3.70	1.90	6.70	2.80
ET8-5004	250-500	5000	480	2	1 1/4	44.00	8.20	3.70	1.90	6.70	2.80

\*Bushing included to accommodate 3/4 inch NPT coupling

Dimensions and specifications are subject to change without notice. Not all items are Made-To-Stock, contact us for availability.

02/14

Ph : 920-682-6877  
Fx : 920-684-7210



sales@ldi-industries.com  
www.ldi-industries.com