

DIN TYPE RESERVOIRS

STYLE 1

The Style 1 Series DIN type steel reservoir is constructed with a recessed welded top and front clean-out access. The reservoir has an elevated reservoir floor sloped toward the front clean-out access with drain exiting from the bottom of the reservoir. Each reservoir is supplied with a sight gage, filler breather and access cover.

Standard Features:

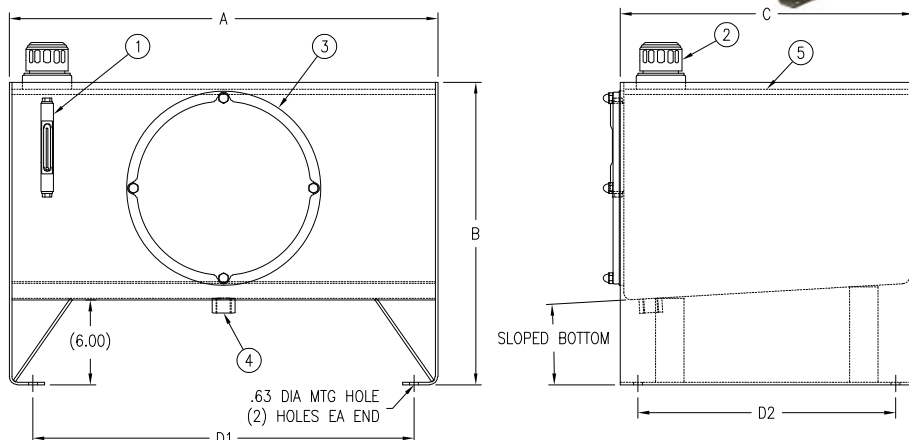
- (1) 5 inch G1620 Series sight gage on capacities of less than 100 gallons; (1) 10 inch G1615 Series sight gage on 100 gallon capacities and above
- Riser with filler breather
 - Bayonet Style — 40 micron
- DIN type access cover, gasket and mounting hardware
- SAE O-ring drain with plug
- Recessed top (drip tray)
- Exterior of reservoir prime painted
- Interior of reservoir coated with rust preventative oil

NOTE

- Drain plugs need to be sealed and tightened before use
- Sight Gage and Filler Breather shipped loose inside reservoir
- Industry accepted design practice for hydraulic systems limits maximum operating temperature to 180° F (82° C), but materials used for fabrication of the reservoirs are capable of operating between -40° and 250° F (-40° and 121° C)

CAUTION:

• Reservoirs are not designed for internal positive or negative pressure applications. For these applications, consult the factory.



NOTE: All dimensions are inches

Tank Dimensions (inches)

Capacity		Part No.	Sight Gage (Mtg. Ctrs.)	A Length	B Height	C Width	Mounting Centers		Access Cover	Piece Weight (lbs)
Gallons	Liters						D1	D2		
499XXX SERIES ARE HEAVY DUTY RESERVOIRS										
20	76	V49920	5	24.38	21.00	18.00	21.75	15.50	324	128
30	114	V49930	5	30.38	21.44	20.75	27.00	18.25	324	170
40	151	V49940	5	36.38	22.75	20.75	33.00	18.25	324	231
60	227	V49960	5	42.38	24.25	24.00	39.00	21.50	324	301
80	303	V49980	5	42.38	25.38	30.00	39.00	27.50	324	371
100	379	V499100	10	42.38	29.25	30.00	39.00	27.50	449	400
120	454	V499120	10	48.50	30.25	30.00	45.00	27.50	449	554
150	568	V499150	10	60.50	30.25	30.00	57.00	27.50	449	665
200	757	V499200	10	72.75	29.81	36.00	69.00	33.50	449	973
300	1136	V499300	10	72.75	38.69	36.00	69.00	33.50	449	1142
400	1514	V499400	10	84.75	43.19	36.00	80.75	33.50	449	1495
500	1892	V499500	10	84.75	44.75	42.00	80.75	39.50	449	1701

Dimensions and specifications are subject to change without notice. Not all items are Made-To-Stock, contact us for availability.

05/14

Ph : 920-682-6877
Fx : 920-684-7210



sales@ldi-industries.com
www.ldi-industries.com