

DIN TYPE RESERVOIRS

STYLE 4

The Style 4 Series DIN type steel reservoir is constructed with a recessed welded top and clean-out access on each end. A baffle positioned front to back with circulation passages divides the reservoir into two chambers. The reservoir has a low profile bottom sloped toward front wall with a drain port exiting out the front. Mounting feet are located outward from the ends. Each reservoir is supplied with a sight gage, filler breather and access covers.

Standard Features:

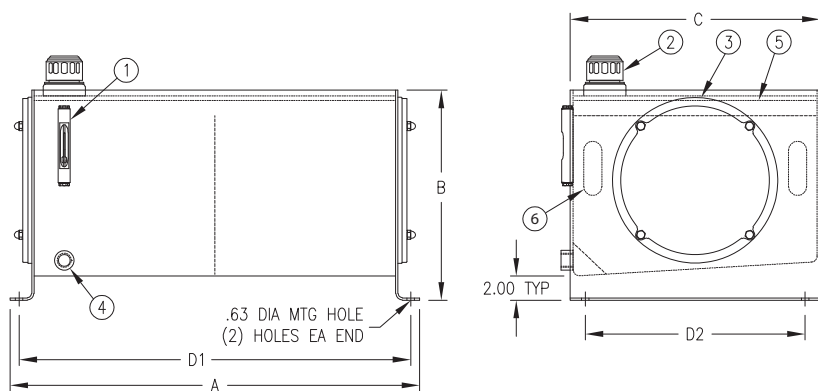
- (1) 5 inch G1620 Series sight gage on capacities of less than 100 gallons; (1) 10 inch G1615 Series sight gage on 100 gallon capacities and above
- Riser with filler breather
 - Bayonet Style — 40 micron
- DIN type access covers gasket and mounting hardware
- SAE O-ring drain with plug
- Recessed top (drip tray)
- Baffle with cutouts for circulation
- Exterior of reservoir prime painted
- Interior of reservoir coated with rust preventative oil

NOTE

- Drain plugs need to be sealed and tightened before use
- Sight Gage and Filler Breather shipped loose inside reservoir
- Industry accepted design practice for hydraulic systems limits maximum operating temperature to 180° F (82° C), but materials used for fabrication of the reservoirs are capable of operating between -40° and 250° F (-40° and 121° C)

CAUTION:

• Reservoirs are not designed for internal positive or negative pressure applications. For these applications, consult the factory.



NOTE: All dimensions are inches

Tank Dimensions (inches)										
Capacity		Part No.	Sight Gage (Mtg. Ctrs.)	A Length	B Height	C Width	Mounting Centers		Access Cover	Piece Weight (lbs)
Gallons	Liters						D1	D2		
799XXX SERIES ARE HEAVY DUTY RESERVOIRS										
20	76	V79920	5	28.00	17.00	18.00	26.50	15.50	324	125
30	114	V79930	5	34.00	17.44	20.75	32.50	18.25	324	166
40	151	V79940	5	40.00	18.75	20.75	38.50	18.25	324	207
60	227	V79960	5	46.00	20.25	24.00	44.50	21.50	324	240
80	303	V79980	5	46.00	21.38	30.00	44.50	27.50	324	314
100	379	V799100	10	46.00	25.25	30.00	44.50	27.50	449	376
120	454	V799120	10	52.00	26.25	30.00	50.50	27.50	449	570
150	568	V799150	10	64.00	26.25	30.00	62.50	27.50	449	673
200	757	V799200	10	77.00	25.81	36.00	75.50	33.50	449	987

Dimensions and specifications are subject to change without notice. Not all items are Made-To-Stock, contact us for availability.

12/14

Ph : 920-682-6877
Fx : 920-684-7210



sales@ldi-industries.com
www.ldi-industries.com