



VAL-SIF-108-2

M200 Valves

Discontinued Product
Replacement Valve &
Repair Kits

Effective: April, 2008

Supersedes: July, 2000



Schrader
Bellows®

M200 to B3 Solenoid Pilot Operated Valves	1
M200 to Directair 4 Manual Operated Valves Valves	2
Model Number Index M200 Valves	3
Model Number Index B3 Valves	4
Model Number Index Directair 4 Valves	5
Repair Kits and Parts	6-7
Technical Information	8
Replacement Kit	9
M200 Valve Special Crossover List	10-12
Offer of Sale	13

The M200 solenoid actuated and manually actuated valves, bases, and miscellaneous parts will be discontinued effective September 31st, 1999. If your customer was planning to use the M200 valve in an OEM application Parker Pneumatic suggests that you convert them to either:

- **The B3 series for solenoid actuated valves.**
- **The Directair 4 series for manually actuated valves.**

The flow rate of the B3 valve is comparable to the M200 valve and is suitable as a “functional replacement valve” in the majority of M200 solenoid actuated applications. The flow capability of the Directair 4 is also comparable to the M200 valve and should be suitable for most manually actuated valve applications. For existing applications where the M200 bases are plumbed in we are **offering an interface plate** that will **adapt the Parker Pneumatic B3 subbase series** valve to those **M200 bases**. This adapter plate was designed for the B3 valve only and will not work with the Directair 4 series valves. **The Directair 4 cannot be mounted to the M200 base.**

Also in this catalog you can find suggested cross over valves for existing M200 model numbers as well as several M200 solenoid repair kits, body service kits, and individual parts that will be available until December 31, 2002. If necessary, you can call the Parker Pneumatic Customer Service Department for additional information.

WARNING

FAILURE OR IMPROPER SELECTION OR IMPROPER USE OF THE PRODUCTS AND/OR SYSTEMS DESCRIBED HEREIN OR RELATED ITEMS CAN CAUSE DEATH, PERSONAL INJURY AND PROPERTY DAMAGE.

This document and other information from Parker Hannifin Corporation, its subsidiaries and authorized distributors provide product and/or system options for further investigation by users having technical expertise. It is important that you analyze all aspects of your application including consequences of any failure, and review the information concerning the product or system in the current product catalog. Due to the variety of operating conditions and applications for these products or systems, the user, through its own analysis and testing, is solely responsible for making the final selection of the products and systems and assuring that all performance, safety and warning requirements of the application are met.

The products described herein, including without limitation, product features, specifications, designs, availability and pricing, are subject to change by Parker Hannifin Corporation and its subsidiaries at any time without notice.

Offer of Sale

The items described in this document are hereby offered for sale by Parker Hannifin Corporation, its subsidiaries or its authorized distributors. This offer and its acceptance are governed by the provisions stated on the separate page of this document entitled “Offer of Sale”.

Solenoid Pilot Operated Valves



Single Solenoid Valve M213-241-30



Double Solenoid Valve M230-242-30



Single Remote	Spring Return with Booster	M225-241-14
	Internal Air Return	M213-245-14
Double Remote	Without Booster	M211-242-11
	With Booster	M214-242-14



Subbase	Without Internal Air Supply	K022-102
	With Internal Air Supply	
	Single Remote Internal	K022-099
	Without Internal Air Supply	K142-271



Modular Manifold	With Internal Air Supply	
	Single Remote Internal	K142-272
	Air Return Only	



Single Solenoid Valve B31VXB553C
B3M200PLTX
PS2998P



Double Solenoid Valve B32VXB553C
B3M200PLTX
PS2998P(2)



Single Remote B3FVX00XXC
B3M200PLTX

Double Remote B34V000XXC
B3M200PLTX

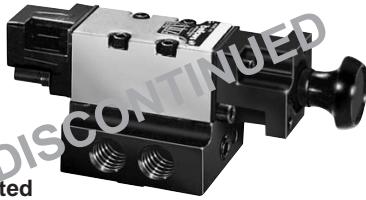


Electrical Connector PS2998P



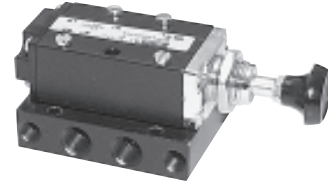
Adaptor Plate Kit External Pilot Supply B3M200PLTX

See page 4 for additional B3 replacement valve options.



Button Operated

Push with Spring Return		M207-241-03
Pull with Spring Return		M203-241-05
2-Position Manual Return		M203-241-12
2-Position Detent		M203-241-20
3-Position Detent	All Ports Blocked	M203-246-21
	Cyl. Open To Exhaust	M203-247-21
	Cyl/ Open To Inlet	M203-248-21
Push with Air Return	Without Booster	M211-241-03
	With Booster	M214-241-03



Button Operated

Push with Spring Return		520413000
Pull with Spring Return		N/A
2-Position Manual Return		520433000
2-Position Detent		520433000
3-Position Detent	All Ports Blocked	N/A
	Cyl. Open To Exhaust	N/A
	Cyl/ Open To Inlet	N/A
Push with Air Return	Without Booster	520453000
	With Booster	520453000



Lever Operated

Push with Spring Return		M204-241-05
Pull with Spring Return		M207-241-04
2-Position Manual Return		M204-241-12
2-Position Detent		M204-241-20
3-Position Detent	All Ports Blocked	M204-246-21
	Cyl. Open To Exhaust	M204-247-21
	Cyl/ Open To Inlet	M204-248-21
Push with Air Return	Without Booster	M211-241-04
	With Booster	M214-241-04



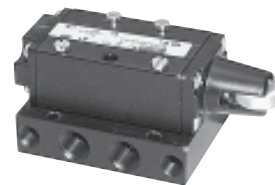
Lever Operated

Push with Spring Return		520813000
Pull with Spring Return		N/A
2-Position Manual Return		520833000
2-Position Detent		520833000
3-Position Detent	All Ports Blocked	521833000
	Cyl. Open To Exhaust	529833000
	Cyl/ Open To Inlet	522833000
Push with Air Return	Without Booster	N/A
	With Booster	N/A



Cam Operated

M207-241-05



Cam Operated

520213000



Subbase

K022-102

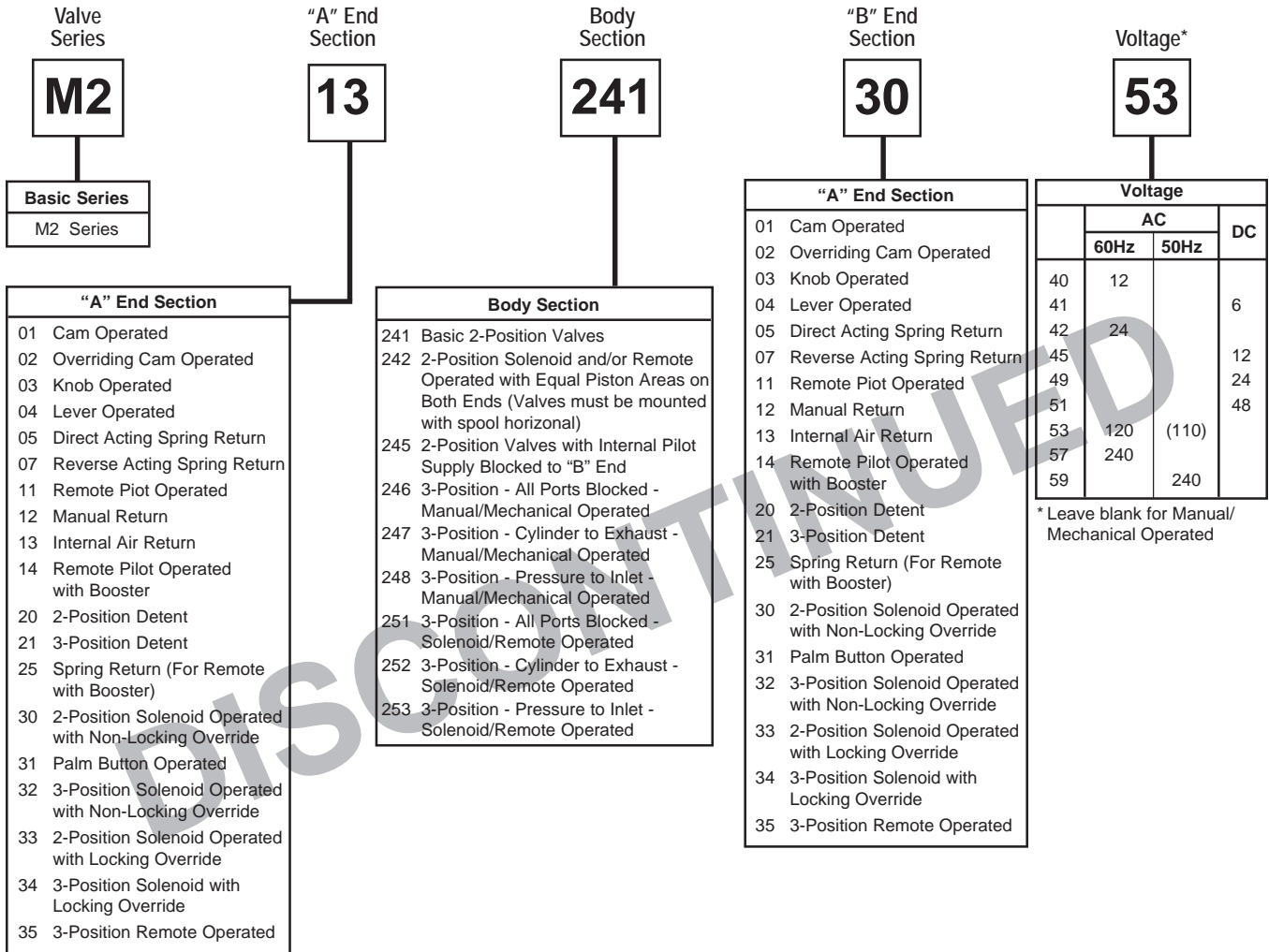


Modular Manifold

K142-271

Note:

The Directair 4 Series valves Will Not directly mount and Cannot be adapted to mount on the M200 bases. When ordering a Directair Series valve to functionally replace an M200 Series valve, you can order either mounting option 1, Direct Pipe Ported (inline, body ported) or option 3, Subbase Mounted (valve with base). The recommended Directair 4 crossover numbers above and on page #3 include the subbase. See page 5 for additional Directair 4 replacement valve options.



Sample M200 to B3 Series Crossover Model Numbers

M200 Series	*B3 Series
M21124211	B34V000XXC B3M200PLTX
M2132413040	B31VXB540C B3M200PLTX
M2132413045	B31VXB545C B3M200PLTX
M2132413049	B31VXB549C B3M200PLTX
M2132413053	B31VXB553C B3M200PLTX
M2132413057	B31VXB557C B3M200PLTX
M2132413059	B31VXB557C B3M200PLTX
M2132413353	B31VXC553C B3M200PLTX
M2302423040	B32VXB540C B3M200PLTX
M2302423049	B32VXB549C B3M200PLTX
M2302423053	B32VXB553C B3M200PLTX
M2322513253	B35VXB553C B3M200PLTX
M2332423353	B32VXC553C B3M200PLTX

Note: Sample crossover numbers are for use with M200 bases.

Sample M200 to Directair 4 Series Crossover Model Numbers

M200 Series	Directair 4 Series
M20124105	520213000
M21424102	520253000
M20324105	520413000
M20324112	520433000
M20324120	520433000
M21124103	520453000
M22524114	520513000
M21424211	520553000
M21424214	520553000
M20424105	520813000
M20424112	520833000
M20424120	520833000
M21124104	520853000
M21424104	520853000
M20424621	521833000
M20424721	529833000

Model Number Index

B3 Series

BOLD OPTIONS ARE MOST POPULAR.

B3 1 0 B B 5 49 - C

Basic Series	
B3 Series	B3

Engineering Level	
C	Current

Operator Function	
3-Way	
Single Solenoid, 2-Position NC - Air Return	G
Single Solenoid, 2-Position NO - Air Return	H
Double Solenoid, 2-Position	J
Single Remote Pilot, 2-Position NC - Air Return	K
Single Remote Pilot, 2-Position NO - Air Return	L
Double Remote Pilot, 2-Position	M
Single Solenoid, 2-Position NC - Air Return / Spring Assist	V
Single Solenoid, 2-Position NO - Air Return / Spring Assist	W
Single Remote Pilot, 2-Position NC - Air Return / Spring Assist	X
Single Remote Pilot, 2-Position NO - Air Return / Spring Assist	Y
4-Way	
Single Solenoid, 2-Position NC - Air Return	1
Double Solenoid, 2-Position	2
Single Remote Pilot, 2-Position - Air Return	3
Double Remote Pilot, 2-Position	4
Double Solenoid, 3-Position - APB	5
Double Solenoid, 3-Position - CE	6
Double Solenoid, 3-Position - PC	7
Double Remote Pilot, 3-Position - APB	8
Double Remote Pilot, 3-Position - CE	9
Double Remote Pilot, 3-Position - PC	0
Single Solenoid, 2-Position - Air Return / Spring Assist	E
Single Remote Pilot, 2-Position - Air Return / Spring Assist	F

Options	
Blank	None
02	Solenoid Rotated 180° - Pins Down

	Voltage [§]	
	AC	
	60Hz	50Hz
42	24	22
45		12
49		24
53	120	110
57	240	230
XX	Remote Pilot - M5 or Valve Less 15mm Solenoid	
YY	Remote Pilot - 5/32" (4mm) Tube	

Enclosure / Lead Length	
0	None, Remote Pilot Valve
5	15mm 3-Pin DIN 43650C (Male Only)
X	Valve Less 15mm Solenoid

Overrides [§]	
0	None, Remote Pilot Valve
B	Flush - Non-Locking
C	Flush - Locking
D	Extended - Non-Locking
E	Extended - Locking
X	Valve Less 15mm Solenoid

§ Enclosure '5'
- Override / Voltage Availability
S - Standard
O - Option

Port Size / Thread Type	
3-Way	
1/8" NPT Inline	0*
1/8" BSPP "G" Inline	5*
Dual 3-Way & 4-Way	
1/8" NPT Inline	0*
1/8" BSPP "G" Inline	5*
1/4" NPT Subbase	H [†]
1/8" NPT Face Mount	T ^{**}
Subbase Valve Less Base	V [‡]

* Available for use on IEM Manifolds.
** 4-Way only.
‡ Subbase valves available for 4-Way valves only.

Pilot Source / Pilot Exhaust	
0	None, Remote Pilot Valve
B[†]	Internal - Port #1 / Vented
E [*]	Dual Pressure - Port #3 / Vented
K [†]	External - Body / Tapped M5
X [‡]	External - Manifold / Vented

* Not available for 3-Way Valves.
† Not available for Remote Pilot Valves.
‡ See Pilot Source Note below.

Voltage Code	Override Code Standard			
	B	C	D	E
42	O	O	-	-
45	O	O	-	-
49	S	S	O	O
53	S	S	O	O
57	O	O	-	-

Voltage Code	"02" Option			
	B	C	D	E
42	O	O	-	-
45	O	O	-	-
49	S	S	O	O
53	S	S	O	O
57	O	O	-	-

See Catalog 0600P-10/USA for B3 dimensional data and additional base mounting options.

The **B3 Single Solenoid** valve assembled with the 15mm-1/2" conduit electrical connector and mounted on the M200 base with the adapter plate is approximately 1.13" (29mm) greater in height and approximately 1.38" (35mm) greater in over all length compared to the M200 valve / base assembly.

The **B3 Double Solenoid** valve assembled with the 15mm-1/2" conduit electrical connectors and mounted on the M200 base with the adapter plate is approximately 1.13" (29mm) greater in height and approximately 2.75" (70mm) greater in over all length compared to the M200 valve / base assembly.

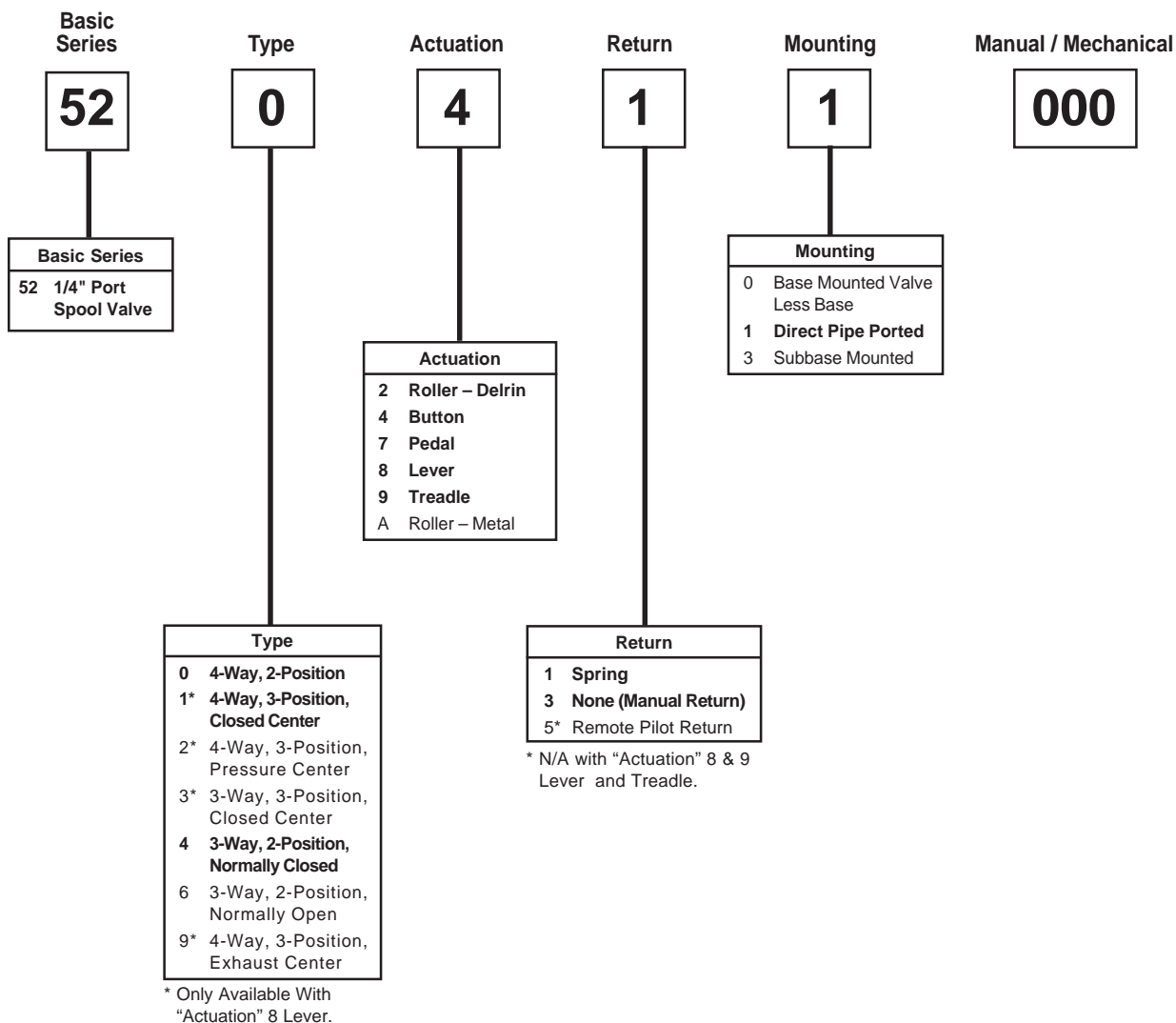
The **B3 Remote Pilot** valve assembly mounted on the M200 base with the adapter plate is approximately 0.25" greater in height and equal in length as compared to the M200 valve / base assembly.

If height is a factor, the B3 valve can be ordered with the solenoid rotated 180 degrees using "02" under "Options". In this case, the height of the valve assembly mounted on the M200 base and adapter plate with the 15mm-1/2" conduit connectors is approximately 0.13" (3mm) less than the M200 valve / base assembly. The over all length remains the same as stated above.

Pilot Source 'X'
External-Manifold / Vented

INLINE & SUBBASE Valves -
Only used IF an IEM or 5-Ported Subbase Aluminum Bar Manifold requires a common external pilot signal thru the manifold for low pressure / vacuum applications OR when used with Sandwich Regulators.

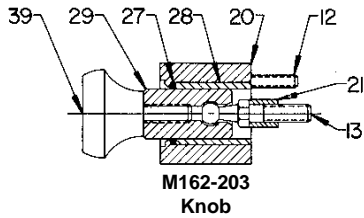
BOLD OPTIONS ARE STANDARD



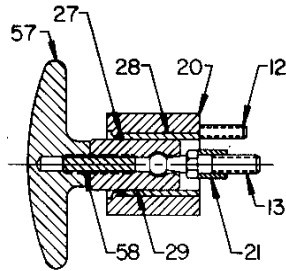
See Catalog 0600P-4/USA for Directair 4 dimensional data and subbase options.

Note:
 The Directair 4 Series valves Will Not directly mount and Cannot be adapted to mount on the M200 bases. When ordering a Directair Series valve to functionally replace an M200 Series valve, you can order either mounting option 1, Direct Pipe Ported (inline, body ported) or option 3, Subbase Mounted (valve with base).

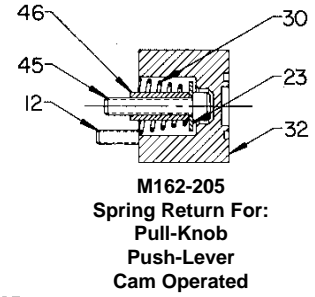
ALL M162, M202, M100 KITS DISCONTINUED - USE AVAILABLE PARTS FROM NEXT PAGE.



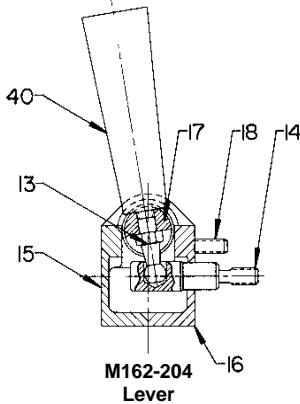
M162-203
Knob



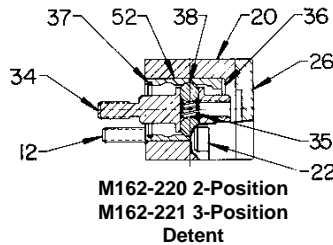
M162-231
Large Knob



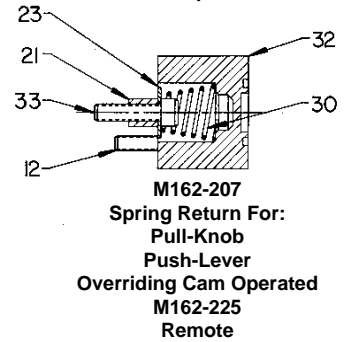
M162-205
Spring Return For:
Pull-Knob
Push-Lever
Cam Operated



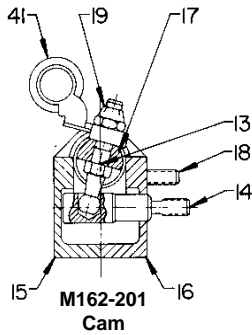
M162-204
Lever



M162-220 2-Position
M162-221 3-Position
Detent

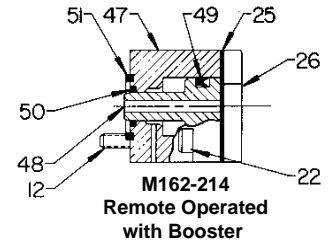


M162-207
Spring Return For:
Pull-Knob
Push-Lever
Overriding Cam Operated
M162-225
Remote

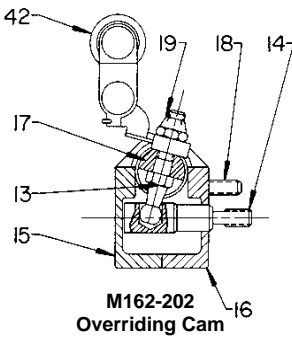


M162-201
Cam

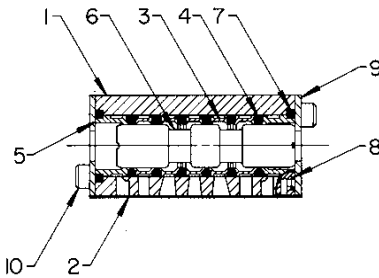
M100-88 Mounting Bolts (Body to Base)
four required, supplied with subbase or
modular manifold



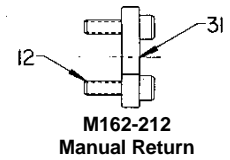
M162-214
Remote Operated
with Booster



M162-202
Overriding Cam



M162-241 Single Solenoid Air Pilot,
2-Position Manual Operated,
and Single Remote Spring Return



M162-212
Manual Return

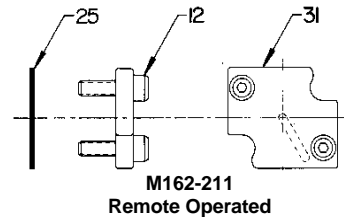
M202-242 Double Solenoid Air Pilot
and Double Remote

M202-245 Single Remote Internal Air Return

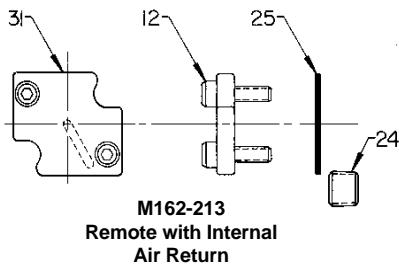
M202-246 3-Position - All Ports Blocked

M202-247 3-Position - Cyl. Open to Exhaust

M202-248 3-Position - Cyl. Open to Inlet

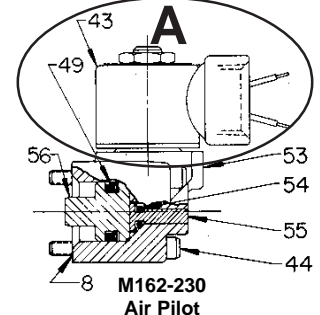


M162-211
Remote Operated



M162-213
Remote with Internal
Air Return

Used on all end
sections except
M162-213
M162-230



M162-230
Air Pilot

SHADED ITEMS ARE OBSOLETE

ITEM NO.	PART #	DESCRIPTION
1	K053-168	Body
2	K183-069	Gasket
3	K453-015	Spacer
4	H232-75	O-Ring
5	K453-016	End Spacer
6	K493-022	Stem All Ports Blocked
	K493-024	Stem Ports Open to Exh.
	K493-025	Stem Ports Open to In.
	K493-020	Stem All Others
7	H142-40	Tetraseal
8	H249-71	O-Ring
9	K323-71	Retainer Plate
10	H194-15	Cap Screw
11	K402-001	Breather Plug Ass'y
12	H100-07	Cap Screw
13	K503-003	Ball Stud
14	K563-037	Ball Cavity Extension
15	K203-057	Housing (Front Half)
16	K203-056	Housing (Back Half)
17	K653-001	Swivel
18	H100-88	Cap Screw
19	H063-96	Self-Locking Nut
20	K203-055	Housing
21	K453-013	Spacer
	K453-021	Spacer for Booster Piston Only
22	H194-15	Cap Screw
23	H178-51	Washer
24	H074-04	1/8" Pipe Plug
25	K183-070	Gasket
26	K123-048	End Cover
27	H208-50	Scraper Ring
28	K443-012	Sleeve
29	K563-038	Universal Adaptor
30	K473-033	Spring
31	K123-047	End Cover
32	K203-053	Housing
33	H100-23	Cap Screw
34	K493-027	Detent Stem
35	K473-036	Spring
36	H198-03	Wave Washer
37	H090-94	Retainer Ring
38	H002-19	7/32" Ball
39	H050-21	Knob
40	H052-02	Lever
41	K052-006	Cam Arm Ass'y
42	K052-007	Over-Riding Cam Ass'y
43	H172-90	Pilot Valve
44	H100-09	Screw
45	H100-26	Cap Screw

ITEM NO.	PART #	DESCRIPTION
46	K453-014	Spacer
47	K203-054	Housing
48	K313-041	Piston
49	H145-36	Seal
50	H249-72	O-Ring
51	H142-11	Tetraseal
52	K443-013	Detent Sleeve 2 Position
	K443-014	Sleeve 3 Position
53	K112-077	Housing
54	H134-43	O-Ring
55	K343-084	Plunger
56	K313-050	Piston
57	H050-27	Knob
58	K503-003	Stud
	M162-203	Knob
	M162-231	Large Knob
	M162-205	Spring Return for Pull Knob
	M162-204	Lever
	M162-220	Detent 2 Position
	M162-221	Detent 3 Position
	M162-207	Spring Return for Pull Knob
	M162-225	Remote
	M162-201	CAM
	H100-88	Mounting Bolts
	M162-214	Remote Operated with Booster
	M162-202	Overriding CAM
	M162-212	Manual Return
	M162-211	Remote Operated
	M162-213	Remote with Internal Air Return
	M162-230	Air Pilot
	M202-241	Single Solenoid Air Pilot
	M202-242	Double Solenoid Air Pilot
	M202-245	Remote Internal Air Return
	M202-246	Position-All Ports Blocked
	M202-247	Position-Cyl. Open to Exhaust
	M202-248	Position-Cyl. Open to Inlet
	K352-120	Basic Seal Kit
	K352-12145	Seal Kit
	K352-12149	Solenoid Kit
	K352-12153	Solenoid Kit
	K352-12245	Solenoid Kit
	K352-12249	Solenoid Kit
	K352-12253	Solenoid Kit
	K352-123	Solenoid Pilot Seal Kit Only
	K34030024	Special Spool
	K47030013	Return Spring
Ⓐ (See page 6)	410008112	12VAC Solenoid Kit
	410008113	24VAC Solenoid Kit
	410008115	120VAC Solenoid Kit
	410008116	240VAC Solenoid Kit
	410008122	12VDC Solenoid Kit
	410008123	24VDC Solenoid Kit

M200 Operating Pressure

Solenoid Operated

Medium			External Pilot Supply		Internal Pilot Supply	
Air	Main Valve	PSIG	0-150		35-150	
		bar	0-10.3		2.4-10.3	
	Pilot	PSIG	75% of Main Valve (35 min.)		35-150	
		bar	75% of Main Valve (2.4 min.)		2.4-10.3	
Vacuum	Main Valve		Within 1" Hg of perfect		Do	
		PSIG	35-150		Not	
	Pilot		2.4-10.3		Use	
		bar				
Remote Pilot Operated						
Medium		Main Valve Pressure	Double Remote	Double Remote w/Booster Cylinder	Ext. Pilot Booster Cyl. w/Spring Return	Single Remote Int. Air Return
Air	PSIG	0-75	25	20	40	75% of Main Valve
		bar	0-5.2	1.7	1.4	
	bar	75-125	30	25	42	
		5.2-8.6	2.1	1.7	2.9	
	PSIG	125-175	35	28	44	
		bar	8.6-12.1	2.4	1.9	
Vacuum	PSIG	Within 1" Hg of Perfect	25	20	40	Do Not
	bar		1.7	1.4	2.8	Use

M200 Operating Pressure

Manual Operated

Valve	Main Valve Pressure			Min. Return Pressure			
	PSIG	bar	Vacuum	Remote Air Return		Remote w/ Booster Cyl.	
				PSIG	bar	PSIG	bar
Knob Operated Spring Return	0-150	0-10.3	Within 1" HG of perfect	—	—	—	—
Knob Operated Manual Return Detent	0-150	0-10.3	Within 1" HG of perfect	—	—	—	—
Knob Operated Air Return	0-75	0-5.2	Within 1" HG of perfect	25	1.7	20	1.4
	75-125	5.2-8.6		30	2.1	25	1.7
	125-150	8.6-10.3		35	2.4	1.9	28
	—	—		25	1.7	20	1.4
Lever Operated Spring Return	0-150	0-10.3	Within 1" HG of perfect				
Lever Operated Manual Return Detent	0-150	0-10.3	Within 1" HG of perfect				
Lever Operated Air Return	0-75	0-5.2	Within 1" HG of perfect	25	1.7	20	1.4
	75-125	5.2-8.6		30	2.1	25	1.7
	125-150	8.6-10.3		35	2.4	1.9	28
				25	1.7	20	1.4
Cam Operated Spring Return	0-150	0-10.3	Within 1" HG of perfect				

M200 Flow Rating (Cv)

Valve Type	Mounting Style	Cv Flow Rating			
		Inlet		Exhaust	
		Port A	Port B	Port A	Port B
2-Position	Subbase	0.81	0.81	0.84	0.80
	Manifold	0.81	0.81	0.75	0.78
3-Position	Subbase	0.76	0.79	0.73	0.73
	Manifold	0.74	0.73	0.66	0.69

B3 Operating Pressure

Maximum: 145 PSIG (1000 kPa)

Minimum: (See Chart)

Operator/Function	Internal Pilot	MIN PSIG (kPa)
1	Single Solenoid - Air Return	20(138)
2	Double Solenoid	
3	Single Remote Pilot - Air Return	
4	Double Remote Pilot	Vacuum
5, 6, 7	Double Solenoid - APB, CE, PC	30 (207)
8, 9, 0	Double Remote Pilot - APB, CE, PC	Vacuum
E	Single Solenoid - Air Return /Spring Assist	35(241)
F	Single Remote Pilot - Air Return /Spring Assist	
	External Pilot **	
All	"B" Series	Vacuum

** External Pilot Pressure / Remote Pilot Signal 35-145 PSIG (241-1000 kPa).

B3 Flow Rating (Cv)

Size	Port Size	Mounting Style	2-Position	3-Position
B3	1/8" Ports	Inline	.75	.60
	1/4" Tube	Inline	.45	.45
	1/8" Ports	Subbase	.65	.45
	1/4" Ports	Subbase	.65	.50

Directair 4 Operating Pressure

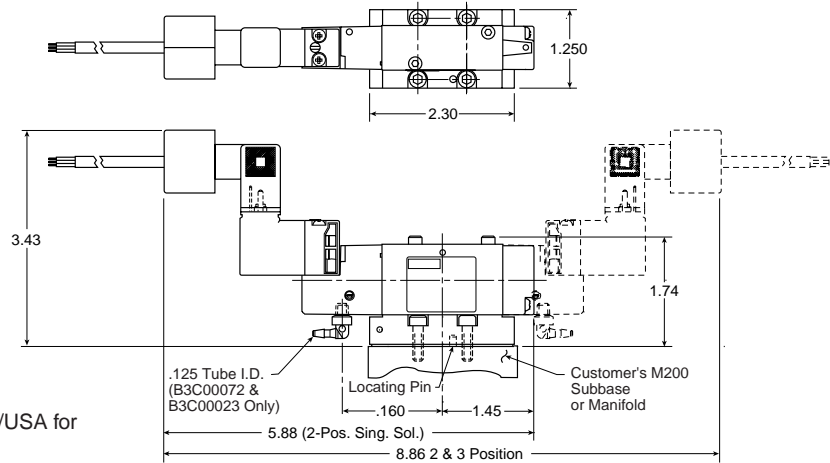
Manual Operated

Valve	PSIG	Bar	Vacuum	Min. Return Pressure	
				PSIG	Bar
Knob Operated Spring Return	0-150	0-10.3	Within 1" HG of Perfect	—	—
Knob Operated Manual Return	0-150	0-10.3	Within 1" HG of Perfect	—	—
Knob Operated Air Return	0-150	0-10.3	—	30	2.1
	—	—	Within 1" HG of Perfect	30	2.1
Lever Operated Spring Return	0-150	0-10.3	Within 1" HG of Perfect	—	—
Lever Operated Manual Return	0-150	0-10.3	Within 1" HG of Perfect	—	—
Air Operated Air Return	0-150	0-10.3	—	30	2.1
	—	—	Within 1" HG of Perfect	30	2.1
Cam Operated Spring Return	0-150	0-10.3	Within 1" HG of Perfect	—	—

Directair 4 Flow Rating (Cv)

Flow Path	Direct Pipe Ported 1/4" Ports	Subbase Mounted 1/4" Side Ports
1 → 2	.82	.64
1 → 4	.84	.66
2 → 3	.84	.63
4 → 5	.83	.63
Avg.	.83	.64

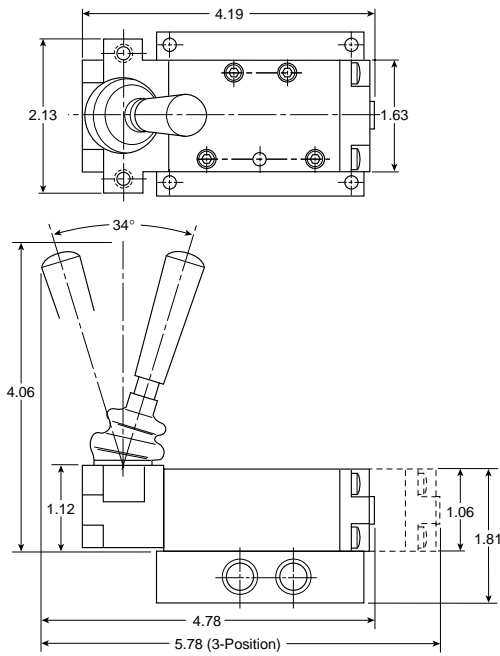
Dimensions for B3 Replacement for M200



Refer to Catalog 0600P-4/USA for complete dimensions.

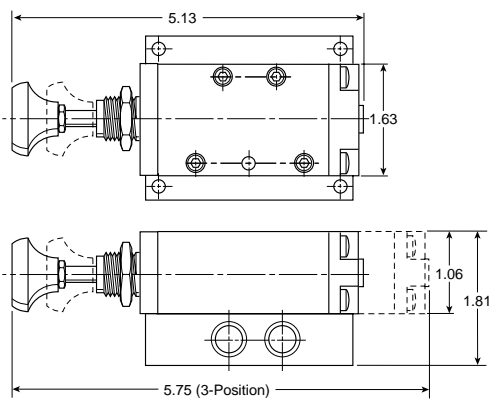
Dimensions for Directair 4 Replacement for M200

Lever Operated

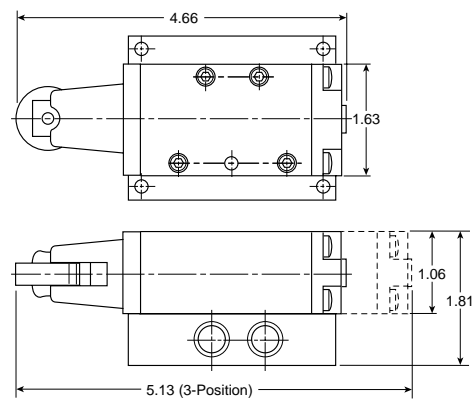


Refer to Catalog 0600P-4/USA for complete dimensions.

Button Operated



Roller Operated



M200 Number	Description	Repair Kit & Spool	Replacement Valve Kit	Suggested New System
K14020204	Manifold K142-272 Special for Common External Pilot (EAGLE)	N/A	N/A	Convert to B3 Series
K14020225	M20020104 + K14020204 Manifold (EAGLE)	K34030024 (SPL Spool) + K47030013 (Spring) + 410008115 (Solenoid) + K353120 (Seal Kit)	B3C00022	Convert to B3 Series
K14020291	7-Station M20020104 + K14020293 Manifold + Tie Rod (EAGLE)	K34030024 (SPL Spool) + K47030013 (Spring) + 410008115 (Solenoid)	B3C00022	(7) B3EVWB553C + (1) PSJ3B1N07NP + (7) PS2998P
K1402029149	7-Station M2002010449 + K14020293 Manifold + Tie Rod (EAGLE)	K34030024 (SPL Spool) + K47030013 (Spring) + 410008122(Solenoid) + K353120 (Seal Kit)	B3C00023	(7) B3EVWB549C + (1) PSJ3B1N07NP + (7) PS2998P
K1402029249	5-Station M2002010449 + K14020293 Manifold + Tie Rod (EAGLE)	K34030024 (SPL Spool) + K47030013 (Spring) + 410008122(Solenoid) + K353120 (Seal Kit)	B3C00023	(5) B3EVWB549C + (1) PSJ3B1N05NP + (5) PS2998P
K14020293	Manifold Kit Using K02030025 Special Manifold	N/A	N/A	Convert to B3 Series
K14020294	6-Station M20020104 + K14020293 Manifold + Tie Rod (EAGLE)	K34030024 (SPL Spool) + K47030013 (Spring) + 410008115 (Solenoid) + K353120 (Seal Kit)	B3C00022	(6) B3EVWB553C + (1) PSJ3B1N06NP + (6) PS2998P
K14020337	M20020104 + K022-100 Single Subbase (EAGLE)	K34030024 (SPL Spool) + K47030013 (Spring) + 410008115 (Solenoid) + K353120 (Seal Kit)	B3C00022	(1) B3EVKB553C + (1) PS2934P + (1) PS2998P
K1402033749	M2002010449 + K022-100 Single Subbase (EAGLE)	K34030024 (SPL Spool) + K47030013 (Spring) + 410008122(Solenoid) + K353120 (Seal Kit)	B3C00023	(1) B3EVKB549C + (1) PS2934P + (1) PS2998P
K14020409	8-Station M20020104 + K14020293 Manifold + Tie Rod (EAGLE)	K34030024 (SPL Spool) + K47030013 (Spring) + 410008115 (Solenoid) + K353120 (Seal Kit)	B3C00022	(8) B3EVWB553C + (1) PSJ3B1N08NP + (8) PS2998P
K14020410	4-Station M20020104 + K14020293 Manifold + Tie Rod (EAGLE)	K34030024 (SPL Spool) + K47030013 (Spring) + 410008115 (Solenoid) + K353120 (Seal Kit)	B3C00022	(4) B3EVWB553C + (1) PSJ3B1N04NP + (4) PS2998P
K1402041049	4-Station M2002010449 + K14020293 Manifold + Tie Rod (EAGLE)	K34030024 (SPL Spool) + K47030013 (Spring) + 410008122 (Solenoid) + K353120 (Seal Kit)	B3C00023	(4) B3EVWB549C + (1) PSJ3B1N04NP + (4) PS2998P
K14020338	Single Station M21324130 with Spring Return + K14020293 Manifold + Tie Rod (EAGLE)	K34030024 (SPL Spool) + K47030013 (Spring) + 410008115 (Solenoid) + K353120 (Seal Kit)	B3C00022	(1) B3EVWB553C + (1) B3M200PLT + (1) PS2998P
K1402041449	9-Station M2002010449 + K14020293 Manifold + Tie Rod (EAGLE)	K34030024 (SPL Spool) + K47030013 (Spring) + 410008122 (Solenoid) + K353120 (Seal Kit)	B3C00023	(9) B3EVWB549C + (1) PSJ3B1N09NP + (9) PS2998P

Specials Crossover List**M200 Series Valves
M200 to B3 Series**

M200 Number	Description	Repair Kit & Spool	Replacement Valve Kit	Suggested New System
K14020419	M20020086 (3-Pos Detent Lever, Center Exhaust - similar to M20424721) + K022102 Subbase	K493024 (Spool) + K352120 (Seal Kit)	N/A	529830000
K14020547	2-Station M20020104 + K14020293 Manifold + Tie Rod (EAGLE)	K34030024 (SPL Spool) + K47030013 (Spring) + 410008115 (Solenoid) + K353120 (Seal Kit)	B3C00022	(2) B3EVWB553C + (1) PSJ3B1N02NP + (2) PS2998P
K1402054749	2-Station M2002010449 + K14020293 Manifold + Tie Rod (EAGLE)	K34030024 (SPL Spool) + K47030013 (Spring) + 410008122 (Solenoid) + K353120 (Seal Kit)	B3C00023	(2) B3EVWB549C + (1) PSJ3B1N02NP + (2) PS2998P
M20020011	2-Pos Valve Body - Rev. Acting Spring - NO OPERATOR + K142-271 Manifold	K34030024 (SPL Spool) + K47030013 (Spring) + K353120 (Seal Kit)	N/A	(1) B3EVBB553C + (1) B3M200PLT + (1) PS2998P
M20020003	3-Way Dbl Solenoid Valve + K142-271 Manifold	K34030024 (SPL Spool) + K47030013 (Spring) + 410008116 (Solenoid) + K353120 (Seal Kit)	N/A	(1) B32VBB553C + (1) PS2934P + (1) PS2998P
M20020020	M20424125 Lever Valve + K142-271 Manifold (Rev. Act Spring w/ Booster)	K34030024 (SPL Spool) + K47030013 (Spring) + K353120 (Seal Kit)	N/A	520813000 (Directair 4 valve is not reverse acting)
M20020076	Palm Button, 2-Position	K493020 (Spool) + K352120 (Seal Kit)	N/A	N/A
M20020078	3-Way Pin Actuator for Welding Gun	N/A	N/A	N/A
M20020086	Special Lever Valve - 3-Position CE	K34030024 (SPL Spool) + K47030013 (Spring) + K353120 (Seal Kit)	N/A	529833000
M20020090	Special Solenoid Valve 120VAC - Terminals (BRANSON)	K34030024 (SPL Spool) + K47030013 (Spring) + 410008115 (Solenoid) + K353120 (Seal Kit)	B3C00022	(1) B3EVWB553C + (1) B3M200PLTX + (1) PS2998P
M20020093	Cam Operated, 2-Pos Detent	K493020 (Spool) + K352120 (Seal Kit)	N/A	520253000
M20020098	M2132413053 but Spring Return (115VAC/60Hz Special Label)	K34030024 (SPL Spool) + K47030013 (Spring) + 410008115 (Solenoid) + K353120 (Seal Kit)	B3C00022	(1) B3EVWB553C + (1) B3M200PLTX + (1) PS2998P
M20020100	M2132413053 but Spring Return (BRANSON)	K34030024 (SPL Spool) + K47030013 (Spring) + 410008115 (Solenoid) +	B3C00022	(1) B3EVWB553C + (1) B3M200PLTX + (1) PS2998P
M20020104	M2132413053 Single Solenoid / Spring Return, 120 VAC + 6-1/2" Leads w / Termination & DC33 Grease, External Pilot through Base (EAGLE)	K34030024 (SPL Spool) + K47030015 (Spring) + 410008122 (Solenoid) + K352120 (Seal Kit)	B3C00022	(1) B3EVWB553C + (1) B3M200PLTX + (1) PS2998P
M2002010449	M20020104 24VDC (EAGLE)	K34030024 (SPL Spool) + K47030013 (Spring) + 410008122 (Solenoid) +	B3C00023	(1) B3EVWB549C + (1) B3M200PLTX + (1) PS2998P

M200 Number	Description	Repair Kit & Spool	Replacement Valve Kit	Suggested New System
M20020112	M21324130, External Pilot through Base, Less Coil (EAGLE)	K34030024 (SPL Spool) + K47030015 (Spring) + K352120 (Seal Kit)	B3C00022	(1) B3EVBB553C or B3EVWB549C + (1) B3M200PLTX + (1) PS2998P
M20020116	M2002010449 w / Special Spool (EAGLE)	K34030024 (SPL Spool) + K47030013 (Spring) + 410008122 (Solenoid) + K353120 (Seal Kit)	B3C00023	(1) B3EVWB549C + (1) B3M200PLTX + (1) PS2998P
M20020117	M2072413049 24VDC, Reverse Acting Spring Return	K34030024 (SPL Spool) + K47030013 (Spring) + 410008122 (Solenoid) + K353120 (Seal Kit)	N/A	(1) B3EVBB553C + (1) B3M200PLT + (1) PS2998P

Note: The special B3 valve numbers B3C00022 and B3C00023 include the M200/B3 adapter plate #B3M200PLTX, Gaskets, and the 15mm to 1/2" conduit electrical connector #PS2998P.

Offer of Sale

The items described in this document and other documents or descriptions provided by Parker Hannifin Corporation, its subsidiaries and its authorized distributors, are hereby offered for sale at prices to be established by Parker Hannifin Corporation, its subsidiaries and its authorized distributors. This offer and its acceptance by any customer ("Buyer") shall be governed by all of the following Terms and Conditions. Buyer's order for any such item, when communicated to Parker Hannifin Corporation, its subsidiaries or an authorized distributor ("Seller") verbally or in writing, shall constitute acceptance of this offer.

1. Terms and Conditions of Sale: All descriptions, quotations, proposals, offers, acknowledgments, acceptances and sales of Seller's products are subject to and shall be governed exclusively by the terms and conditions stated herein. Buyer's acceptance of any offer to sell is limited to these terms and conditions. Any terms or conditions in addition to, or inconsistent with those stated herein, proposed by Buyer in any acceptance of an offer by Seller, are hereby objected to. No such additional, different or inconsistent terms and conditions shall become part of the contract between Buyer and Seller unless expressly accepted in writing by Seller. Seller's acceptance of any offer to purchase by Buyer is expressly conditional upon Buyer's assent to all the terms and conditions stated herein, including any terms in addition to, or inconsistent with those contained in Buyer's offer. Acceptance of Seller's products shall in all events constitute such assent.

2. Payment: Payment shall be made by Buyer net 30 days from the date of delivery of the items purchased hereunder. Amounts not timely paid shall bear interest at the maximum rate permitted by law for each month or portion thereof that the Buyer is late in making payment. Any claims by Buyer for omissions or shortages in a shipment shall be waived unless Seller receives notice thereof within 30 days after Buyer's receipt of the shipment.

3. Delivery: Unless otherwise provided on the face hereof, delivery shall be made F.O.B. Seller's plant. Regardless of the method of delivery, however, risk of loss shall pass to Buyer upon Seller's delivery to a carrier. Any delivery dates shown are approximate only and Seller shall have no liability for any delays in delivery.

4. Warranty: Seller warrants that the items sold hereunder shall be free from defects in material or workmanship for a period of 18 months from date of shipment from Parker Hannifin Corporation. THIS WARRANTY COMPRISES THE SOLE AND ENTIRE WARRANTY PERTAINING TO ITEMS PROVIDED HEREUNDER. SELLER MAKES NO OTHER WARRANTY, GUARANTEE, OR REPRESENTATION OF ANY KIND WHATSOEVER. ALL OTHER WARRANTIES, INCLUDING BUT NOT LIMITED TO, MERCHANTABILITY AND FITNESS FOR PURPOSE, WHETHER EXPRESS, IMPLIED, OR ARISING BY OPERATION OF LAW, TRADE USAGE, OR COURSE OF DEALING ARE HEREBY DISCLAIMED.

NOTWITHSTANDING THE FOREGOING, THERE ARE NO WARRANTIES WHATSOEVER ON ITEMS BUILT OR ACQUIRED WHOLLY OR PARTIALLY, TO BUYER'S DESIGN OR SPECIFICATIONS.

5. Limitation of Remedy: SELLER'S LIABILITY ARISING FROM OR IN ANY WAY CONNECTED WITH THE ITEMS SOLD OR THIS CONTRACT SHALL BE LIMITED EXCLUSIVELY TO REPAIR OR REPLACEMENT OF THE ITEMS SOLD OR REFUND OF THE PURCHASE PRICE PAID BY BUYER, AT SELLER'S SOLE OPTION. IN NO EVENT SHALL SELLER BE LIABLE FOR ANY INCIDENTAL, CONSEQUENTIAL OR SPECIAL DAMAGES OF ANY KIND OR NATURE WHATSOEVER, INCLUDING BUT NOT LIMITED TO LOST PROFITS ARISING FROM OR IN ANY WAY CONNECTED WITH THIS AGREEMENT OR ITEMS SOLD HEREUNDER, WHETHER ALLEGED TO ARISE FROM BREACH OF CONTRACT, EXPRESS OR IMPLIED WARRANTY, OR IN TORT, INCLUDING WITHOUT LIMITATION, NEGLIGENCE, FAILURE TO WARN OR STRICT LIABILITY.

6. Changes, Reschedules and Cancellations: Buyer may request to modify the designs or specifications for the items sold hereunder as well as the quantities and delivery dates thereof, or may request to cancel all or part of this order, however, no such requested modification or cancellation shall become part of the contract between Buyer and Seller unless accepted by Seller in a written amendment to this Agreement. Acceptance of any such requested modification or cancellation shall be at Seller's discretion, and shall be upon such terms and conditions as Seller may require.

7. Special Tooling: A tooling charge may be imposed for any special tooling, including without limitations, dies, fixtures, molds and patterns, acquired to manufacture items sold pursuant to this contract. Such special tooling shall be and remain Seller's property notwithstanding payment of any charges by Buyer. In no event will Buyer acquire any interest in apparatus belonging to Seller which is utilized in the manufacture of the items sold hereunder, even if such apparatus has been specially converted or adapted for such manufacture and

notwithstanding any charges paid by Buyer. Unless otherwise agreed, Seller shall have the right to alter, discard or otherwise dispose of any special tooling or other property in its sole discretion at any time.

8. Buyer's Property: Any designs, tools, patterns, materials, drawings, confidential information or equipment furnished by Buyer, or any other items which become Buyer's property, may be considered obsolete and may be destroyed by Seller after two (2) consecutive years have elapsed without Buyer placing an order for the items which are manufactured using such property. Seller shall not be responsible for any loss or damage to such property while it is in Seller's possession or control.

9. Taxes: Unless otherwise indicated on the face hereof, all prices and charges are exclusive of excise, sales, use, property, occupational or like taxes which may be imposed by any taxing authority upon the manufacture, sale or delivery of the items sold hereunder. If any such taxes must be paid by Seller or if Seller is liable for the collection of such tax, the amount thereof shall be in addition to the amounts for the items sold. Buyer agrees to pay all such taxes or to reimburse Seller therefore upon receipt of its invoice. If Buyer claims exemption from any sales, use or other tax imposed by any taxing authority, Buyer shall save Seller harmless from and against any such tax, together with any interest or penalties thereon which may be assessed if the items are held to be taxable.

10. Indemnity For Infringement of Intellectual Property Rights: Seller shall have no liability for infringement of any patents, trademarks, copyrights, trade dress, trade secrets or similar rights except as provided in this Part 10. Seller will defend and indemnify Buyer against allegations of infringement of U.S. patents, U.S. trademarks, copyrights, trade dress and trade secrets (hereinafter "Intellectual Property Rights"). Seller will defend at its expense and will pay the cost of any settlement or damages awarded in an action brought against Buyer based on an allegation that an item sold pursuant to this contract infringes the Intellectual Property Rights of a third party. Seller's obligation to defend and indemnify Buyer is contingent on Buyer notifying Seller within ten (10) days after Buyer becomes aware of such allegations of infringement, and Seller having sole control over the defense of any allegations or actions including all negotiations for settlement or compromise. If an item sold hereunder is subject to a claim that it infringes the Intellectual Property Rights of a third party, Seller may, at its sole expense and option, procure for Buyer the right to continue using said item, replace or modify said item so as to make it noninfringing, or offer to accept return of said item and return the purchase price less a reasonable allowance for depreciation. Notwithstanding the foregoing, Seller shall have no liability for claims of infringement based on information provided by Buyer, or directed to items delivered hereunder for which the designs are specified in whole or part by Buyer, or infringements resulting from the modification, combination or use in a system of any item sold hereunder. The foregoing provisions of this Part 10 shall constitute Seller's sole and exclusive liability and Buyer's sole and exclusive remedy for infringement of Intellectual Property Rights.

If a claim is based on information provided by Buyer or if the design for an item delivered hereunder is specified in whole or in part by Buyer, Buyer shall defend and indemnify Seller for all costs, expenses or judgements resulting from any claim that such item infringes any patent, trademark, copyright, trade dress, trade secret or any similar right.

11. Force Majeure: Seller does not assume the risk of and shall not be liable for delay or failure to perform any of Seller's obligations by reason of circumstances beyond the reasonable control of Seller (hereinafter "Events of Force Majeure"). Events of Force Majeure shall include without limitation, accidents, acts of God, strikes or labor disputes, acts, laws, rules or regulations of any government or government agency, fires, floods, delays or failures in delivery of carriers or suppliers, shortages of materials and any other cause beyond Seller's control.

12. Entire Agreement/Governing Law: The terms and conditions set forth herein, together with any amendments, modifications and any different terms or conditions expressly accepted by Seller in writing, shall constitute the entire Agreement concerning the items sold, and there are no oral or other representations or agreements which pertain thereto. This Agreement shall be governed in all respects by the law of the State of Ohio. No actions arising out of sale of the items sold hereunder or this Agreement may be brought by either party more than two (2) years after the cause of action accrues.



Parker Hannifin Corporation
Pneumatic Division North America
8676 E. M89
P.O. Box 901
Richland, MI 49083 USA
Tel: (616) 629-5000
Fax: (616) 629-5385

Customer/Technical Service

Tel: (616) 629-5575
Fax: (800) 648-5480
Fax: (800) 426-3259
Web site: www.schraderbellows.com
E-mail: PDNMKTG@parker.com