



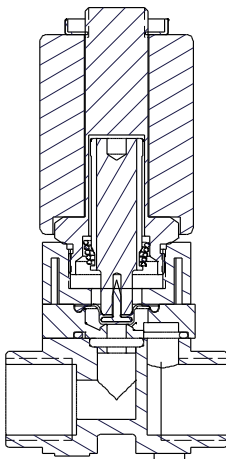
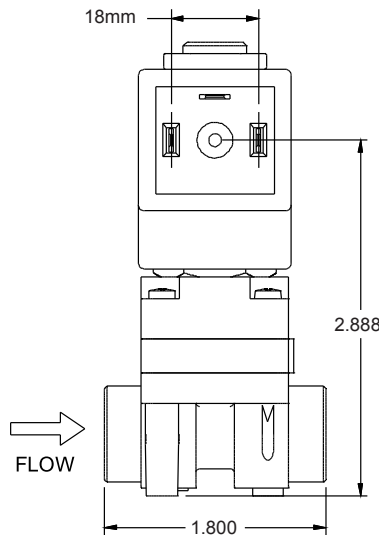
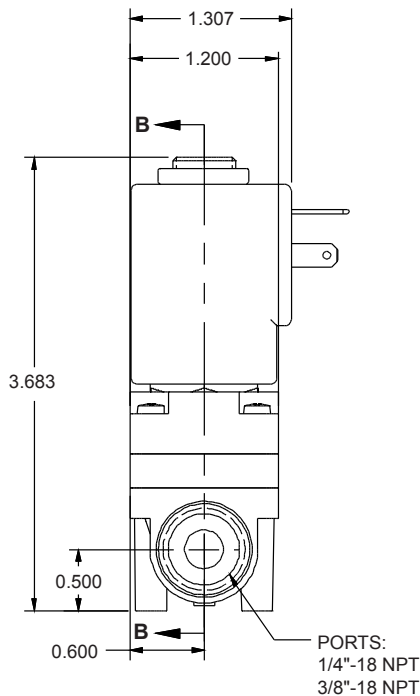
Series 4B23

2-Way In Line Body
Solenoid Valves

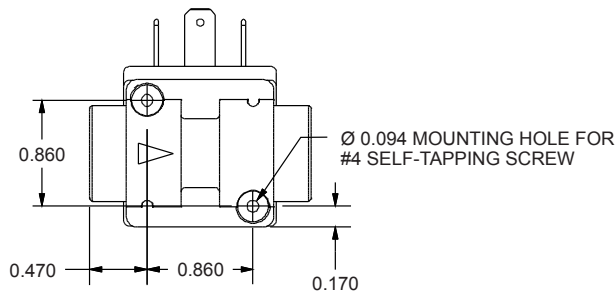
The Spartan Scientific Series 4B23 is a media separated, dry operator type 2-way 2-position solenoid operated valve where the media remains isolated from the metal working components within the valve. This creates a barrier to contamination to both the fluid and the operator which serves two purposes. The media remains untainted by the metals in the operator while the close tolerance moving parts of the valve are insulated from the effects of particulates, aggressive chemicals which can effect long term life of solenoid valves. The 4B23 is available in 1/4 or 3/8 inch NPT connections with orifice ranges from .8 to 5mm which gives the 4B23 great flow and operating pressure ranges to meet differing applications. The 4B23 features a DIN quick connect coil or flying leads connection. The valve is designed for long trouble free life with the incorporation of a rolling type diaphragm, life cycle proven metal operator components and a fully encapsulated coil system. The Valve is available in normally closed or normally open configurations and has two body ports for convenient fluid connection.

Dimensional Data

ALL DIMENSIONS ARE IN INCHES UNLESS OTHERWISE NOTED



SECTION B-B



SPARTAN SCIENTIFIC

www.spartanscientific.com

P.O. Box 9792, Boardman, Ohio 44513
(330) 758-8446 Fax: (330) 758-3314



Series 4B23

2-Way In Line Body
Solenoid Valves

Technical Data

Function: 2-way, 2-position normally closed or normally open, direct acting, media separated

Port Sizes: 1/4"-18 NPT and 3/8"-18 NPT

Orifice Size (Cv): 2.4mm (0.24)
3.0mm (0.31)
4.0mm (0.52)
5.0mm (0.63)

Pressure Range*: 15" Vacuum to 150 psi (depending on orifice size)

Temperature Range: (Fluid max. 60°C) Ambient +10° to +50°C

Response Time: 18 to 26 ms

Wetted Materials: Orifice Plate - Ultem 1000
Valve Body - DuPont Zytel GF Nylon (molded)
- Delrin (machined)
Seals - EPDM, Viton or Buna N

Media: Air, ideal gases, oils, medical fluid applications

Mounting: 2, 0.116 diameter holes for #4 self tapping screw

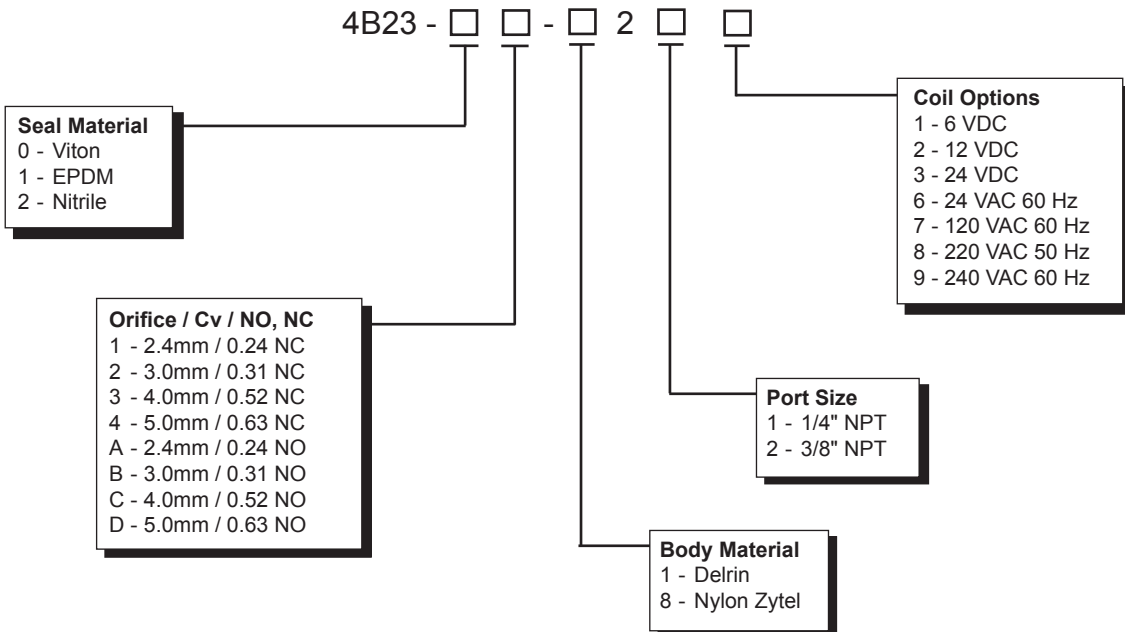
Coil Data: Glass filled nylon encapsulation (Class F, continuous duty)
10 watt VDC, 8 watt VAC
Volts: 6, 12, 24 VDC
24/60 Hz, 120/60 Hz, 220/50 Hz,
240/60 Hz VAC
Voltage tolerance: +/- 10%

FUNCTION	VOLTAGE							
	2.4mm		3.0mm		4.0mm		5.0mm	
	AC	DC	AC	DC	AC	DC	AC	DC
2/2 NC	150	120	75	60	55	45	30	20
2/2 NO	80	75	60	55	45	40	35	30

*MAX. PRESSURE RANGE (psi)

*Note - Maximum allowable back pressure is 20 psi regardless of voltage.

How To Order



Order Example: 4B23-01-1211
Series 4B23, Viton, 2.4mm / 0.245
normally closed, Delrin, 1/4" NPT, 6 VDC.