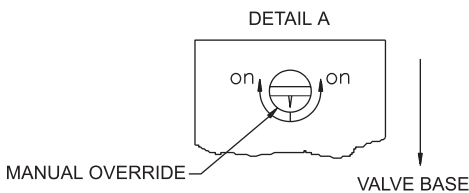
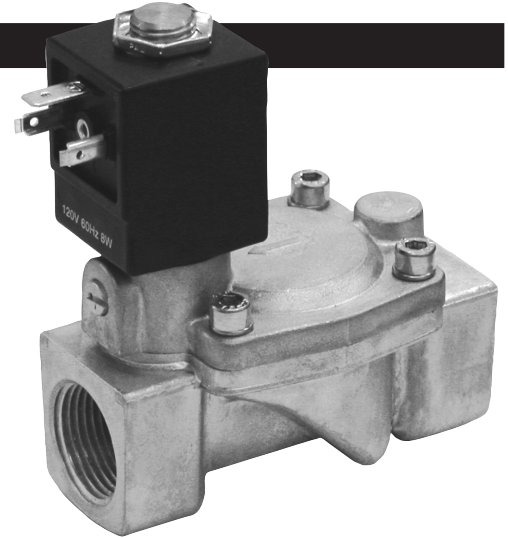
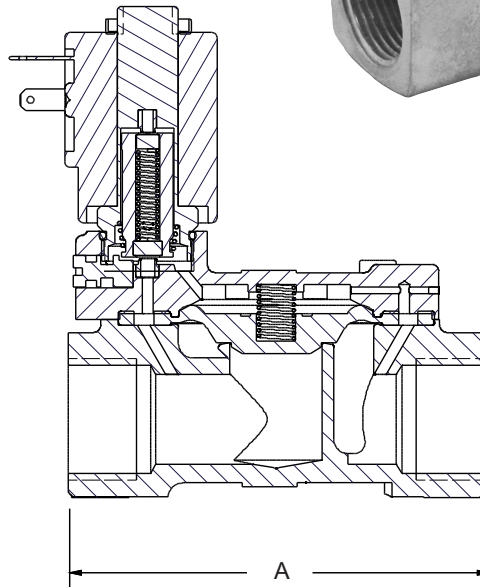
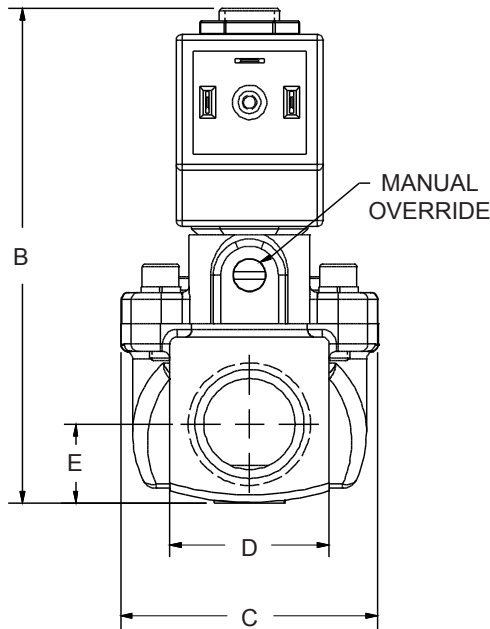




The Series 4700 solenoid valves are designed specifically for high flow, high pressure applications. With orifice sizes of 20mm to 25mm and port sizes of 3/4" and 1.0" NPT, the valve is offered with a manual override standard. The coil is a quick connect DIN 43650 Form "A" design and is encapsulated for environment resistance. Typical applications include condensation removal, car washes, autoclaves or irrigation control.

Dimensional Data

ALL DIMENSIONS ARE IN INCHES UNLESS OTHERWISE NOTED



FLOW DATA	
PORT SIZE	FLOW RATE
3/4"	34 gpm
1.0"	53 gpm
120 psi Δ p 20 psi	

DIMENSIONAL TABLE		
Ports	3/4"	1.0"
A	3.54	3.94
B	4.17	4.43
C	2.17	2.56
D	1.30	1.52
E	0.67	0.83



Series 4700

Air-Sol 2-Way Process
Solenoid Valves

Technical Data

Function: 2-way, 2-position, normally open or normally closed, pilot diaphragm operated

Port Size: 3/4" or 1.0" NPT

Orifice Size: 20mm (3/4" Port), 25mm (1.0" Port)

Pressure Range: 4.5 to 220 psi - 3/4"
7 to 220 psi - 1.0"

Flow Factors: 9.1Cv - 3/4" (34 gpm)
14Cv - 1.0" (53 gpm)

Temp. Range: (Fluid -10°C to +80°C)
Ambient -15°C to +50°C

Response Time: 40 to 90 ms (Slow-Close system available to prevent water hammer)

Materials: Valve Body: Brass
(Stainless Steel available upon request)
Armature Assembly: 300 and 400 Series
Stainless Steel
Seals: Nitrile

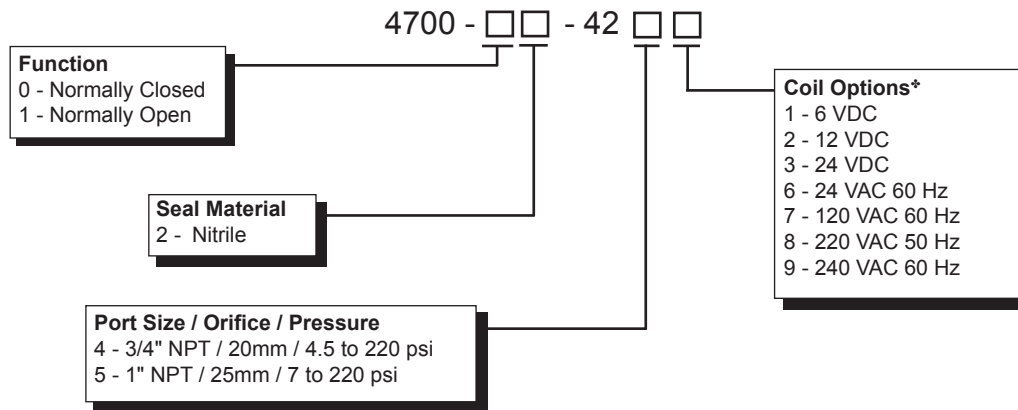
Manual Override: Available on NC version only

Media: Air, oil, gas, water, fuel

Mounting: On pipe

Coil Data: Glass filled nylon encapsulation
(Class F, continuous duty)
10 watt VDC, 8 watt VAC
Volts: 6, 12, 24 VDC
24/60 Hz, 120/60 Hz, 220/50 Hz,
240/60 Hz VAC
Voltage tolerance: +/- 10% Nominal

How To Order



Order Example: 4700-02-4247
Series 4700, normally closed, Nitrile seal,
3/4" NPT, 20mm orifice, 120 VAC 50/60 Hz

*For more coil options see page 7.



Consult factory for available versions
recognized under the Component
Program of Underwriters Laboratories, Inc.