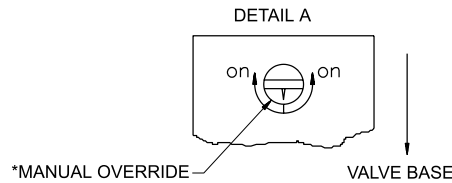
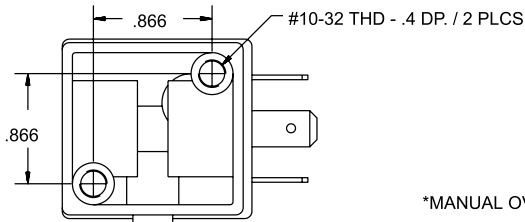
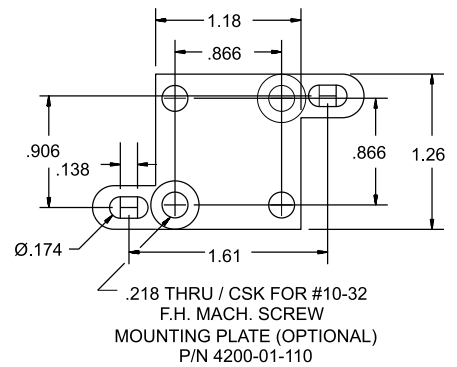
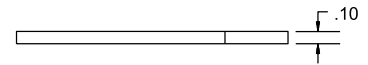
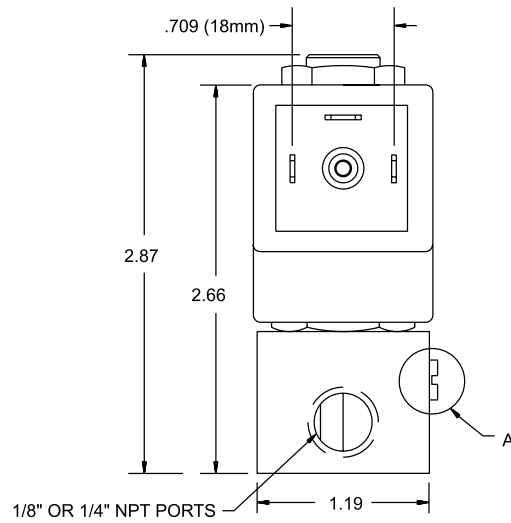
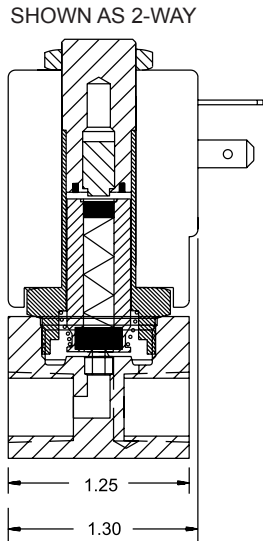
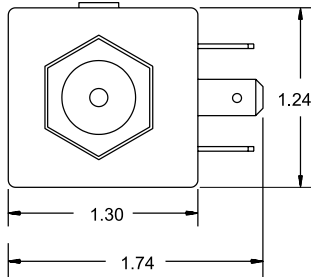




The Series 4200 solenoid valves are larger solenoid valves with an orifice range from 0.8 to 6.0mm. These control valves are offered standard in 1/8" and 1/4" NPT. A manual override is standard on most versions with a completely environment resistant encapsulated coil. Electrical connection is DIN 43650 Form A, a highly versatile quick-connect design. This valve features an all stainless steel (430FR and 316 SS) operator and has bodies available in Zamak, stainless and brass. Functions include normally closed, normally open, mixing and diverting.

Dimensional Data

ALL DIMENSIONS ARE IN INCHES UNLESS OTHERWISE NOTED





Series 4200

Air-Sol 2-Way & 3-Way Solenoid Valves

Technical Data

- Function:** 2 or 3-way, normally open or normally closed, direct acting.
- Port Size:** 1/8" or 1/4" NPT
- Orifice Size:** 0.8mm to 6.0mm
- Pressure Range:** Vacuum to 350 psi (depending on function and orifice size)
- Flow Factors:** Up to .72 Cv
- Temp. Range:** (Fluid max. 90°C) Ambient -10°C to +50°C
- Response Time:** 16 to 40 ms complete cycle
- Materials:** Operator: AISI 300 and 400 Series Stainless Steel
Shading Ring: Copper standard (Silver available on request)
Orifice: Brass (Stainless available on request)
Seals: Viton standard (Optional seal materials include Nitrile, EPDM, Aflas and Neoprene. Contact factory for a complete list and reference numbers.)
Valve Bodies: Aluminum (Zamak), Brass or Stainless Steel
- Manual Override:** Standard up to 350 psi (not available with 6 mm orifice or higher pressures)
- Media:** Air, gases, water, oil, etc.
- Mounting:** Any position by 10-32 screw on bottom or optional mounting plate
- Coil Data:** Glass filled nylon encapsulation (Class F, continuous duty)
10 watt VDC, 8 watt VAC.
Volts: 6, 12, 24 VDC
24/60 Hz, 120/60 Hz, 220/50 Hz, 240/60 Hz VAC
Voltage tolerance: +/- 10%

ORIFICE SIZE / VOLTAGE

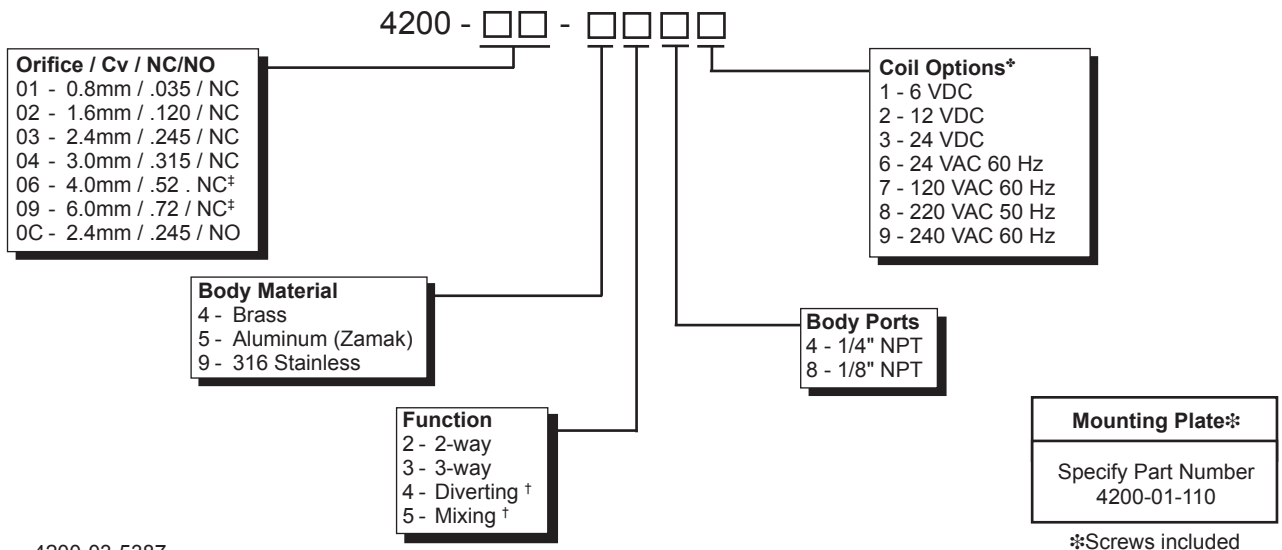
| FUNCTION | 0.8 mm | | 1.6 mm | | 2.4 mm | | 3.0 mm | | 4.0 mm | | 6.0 mm | |
|----------|--------|-----|--------|-----|--------|-----|--------|-----|--------|-----|--------|-----|
| | AC | DC | AC | DC | AC | DC | AC | DC | AC | DC | AC | DC |
| | 2/2 NC | 350 | 350 | 350 | 350 | 350 | 225 | 270 | 150 | 100 | 80 | 70 |
| 2/2 NO | 350 | 345 | 255 | 225 | 150 | 120 | 90 | 82 | N/A | N/A | N/A | N/A |
| 3/2 NC | 350 | 350 | 255 | 225 | 150 | 120 | 90 | 82 | 60 | 50 | 30 | 20 |
| 3/2 NO | 350 | 345 | 255 | 225 | 150 | 120 | 105 | 90 | N/A | N/A | N/A | N/A |
| 3/2 DIV | N/A | N/A | N/A | N/A | 150 | 120 | 85 | 80 | N/A | 60 | N/A | N/A |
| 3/2 MIX | N/A | 250 | N/A | 150 | 90 | 90 | N/A | 40 | N/A | N/A | N/A | N/A |

MAX. PRESSURE RANGE (psi)



Consult factory for available versions recognized under the Component Program of Underwriters Laboratories, Inc.

How To Order



Order Example: 4200-03-5387
Series 4200, 2.4mm orifice, .245 Cv, normally closed, Aluminum, 3-way, 1/8" NPT, 120 VAC 60 Hz

[†] Standard pressure ratings of orifices do not apply for these functions. Please contact factory for details.

[‡] Larger orifice sizes not available in all body materials. Not available in all configurations.

SPARTAN SCIENTIFIC
www.spartanscientific.com

P.O. Box 9792, Boardman, Ohio 44513
(330) 758-8446 Fax: (330) 758-3314

www.comoso.com