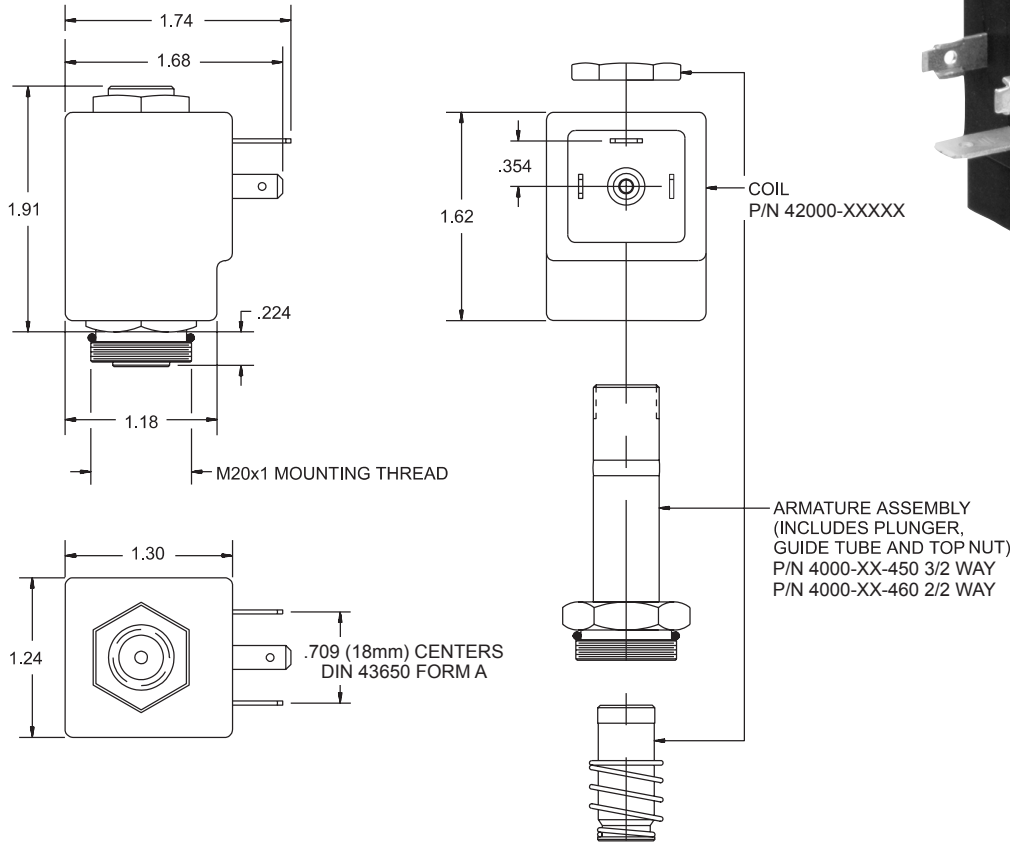




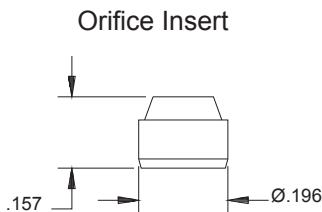
The Spartan Scientific Series 4000 solenoid operators are used as 2 & 3-way in-line poppet valves or to pilot larger 3 & 4-way spool valves. With orifice ranges from .08mm to 3.0mm, the Series 4000 can control air up to 1200 psi. There are both normally open and normally closed versions with all versions featuring the DIN 43650 Form A quick connect interface.

**Dimensional Data**

ALL DIMENSIONS ARE IN INCHES UNLESS OTHERWISE NOTED



**Orifice Insert / Armature Cavity Details**



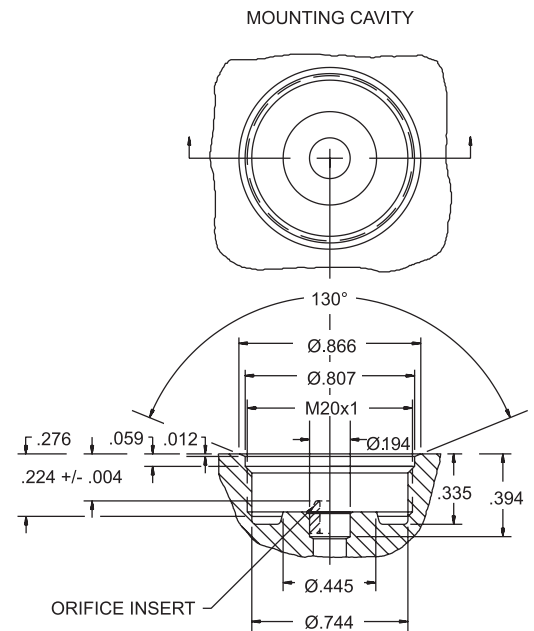
**Orifice Insert Ordering Guide**

4000 -  -

Orifice Diameter
01 - 0.8mm
02 - 1.6mm
03 - 2.4mm
04 - 3.0mm

Material
40 - Brass
90 - Stainless Steel

\*NOTE: Orifice inserts available on request.





# Series 4000

Air-Sol 2-Way & 3-Way  
Solenoid Operators

## Technical Data

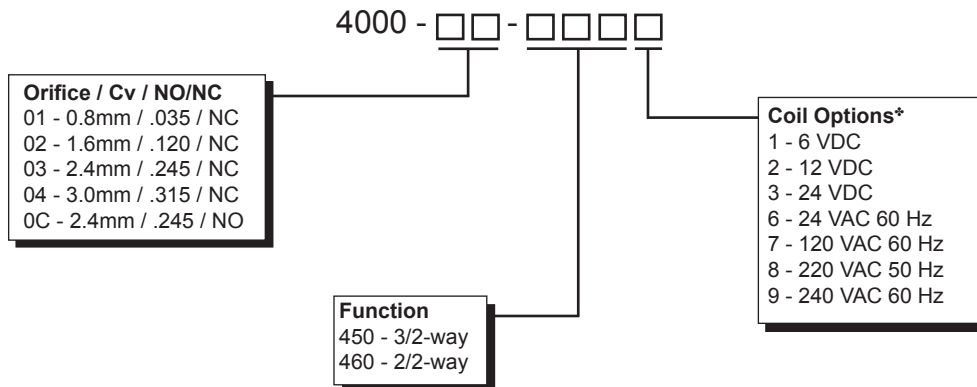
- Voltages:** 6, 12, 24 VDC  
24/60 Hz, 120/60 Hz, 220/50 Hz, 240/60 Hz VAC
- Pressure Range:** Vacuum - 1200 psi depending on orifice size and function
- Temp. Range:** (Fluid max. 90°C) Ambient -20°C to +50°C
- Voltage Tolerance:** +/-10%
- Cycle Rate:** 12 ms
- Coil:** Glass filled nylon encapsulation (Class F, continuous duty)
- Environment Protection:** Dust-tight and water resistant to IP65 (with electrical connector)
- Wattage Available:** 10 watt VDC / 8 watt VAC
- Materials:** Operator: AISI 400 and 300 Series Stainless Steel  
Shading Ring: Copper standard (Silver available on request)  
Seal: Viton standard (other materials available on request)  
Springs: 300 Series Stainless Steel

### ORIFICE SIZE / VOLTAGE

F U N C T I O N	0.8 mm		1.6 mm		2.4 mm		3.0 mm		4.0 mm		6.0 mm	
	AC	DC	AC	DC	AC	DC	AC	DC	AC	DC	AC	DC
	2/2 NC	1200	900	900	525	450	225	270	150	100	80	70
2/2 NO	525	345	255	225	150	120	90	82	N/A	N/A	N/A	N/A
3/2 NC	525	375	255	225	150	120	90	82	60	50	30	20
3/2 NO	450	345	255	225	150	120	105	90	N/A	N/A	N/A	N/A

MAX. PRESSURE RANGE  
(psi)

## How To Order



Order Example: 4000-03-4507  
Series 4000, 2.4mm orifice, .245 Cv,  
normally closed, 3/2-way, 120 VAC 60 Hz

\*For more coil options see page 7.