



Series 3C24

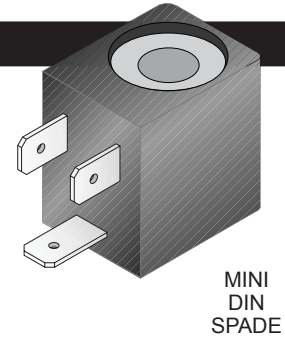
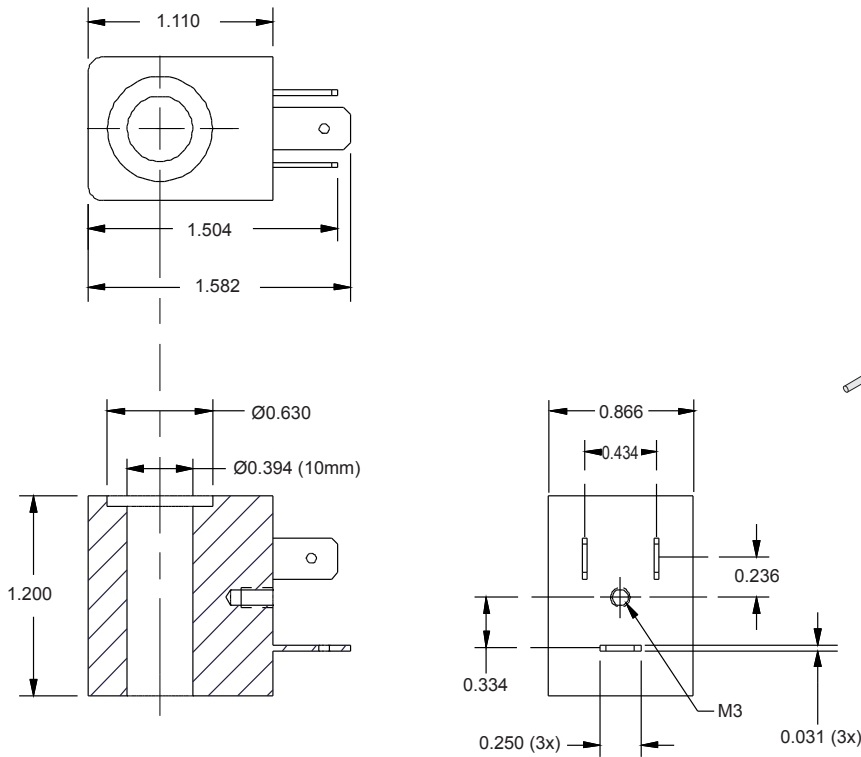
8-22 10mm ID
Coil

General Description

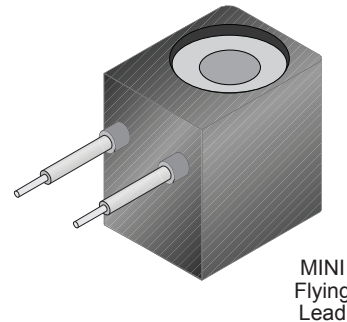
The 3C24 Series Coils are available in Mini Din Spade to DIN 43650 industry standard, or with 22AWG, 18" long flying leads. Spartan Scientific coils are specifically designed to be robust in industrial applications. Spartan Scientific coils feature 30% glass filled thermoplastic glass-filled nylon resin encapsulation, using class H insulation (200° C), and are rated for class F use. The magnetic force is concentrated by use of a low carbon iron yoke. The coils are made specifically for use in industrial ambient conditions. Special solutions are available for conditions exceeding NEMA 4/ IP65, or high humidity.

Dimensional Data

ALL DIMENSIONS ARE IN INCHES UNLESS OTHERWISE NOTED



MINI
DIN
SPADE



MINI
Flying
Lead

How To Order

3C24□ - □□□□□

Connection Option
0 - DIN Spade
5 - Flying Lead

Coil Options

00606	- 6 VDC 6.5 W
01206	- 12 VDC 6.5 W
02406	- 24 VDC 6.5 W
02416	- 24 VAC 50/60 Hz
12016	- 120 VAC 50/60 Hz
22016	- 220 VAC 50/60 Hz
24016	- 240 VAC 50/60 Hz

Technical Data

Coil Data: DuPont Zytel glass-filled nylon encapsulation (Encapsulation Class F. Windings Class H)
Voltage: 6, 12 and 24 VDC
24, 120, 220 V 50/60 Hz AC
(Other voltages and power ratings available on request. Consult factory for details.)
Voltage Tolerance: +/-10% nominal
Power Rating: 6.5 W (VDC), 8 VA (VAC) standard

Degree of Protection: IP65 (with sealed connector in place)

Duty Cycle: 100% continuous

Temperature Range: -30° C to +50° C

SPARTAN SCIENTIFIC

www.spartanscientific.com

P.O. Box 9792, Boardman, Ohio 44513
(330) 758-8446 Fax: (330) 758-3314

www.comoso.com