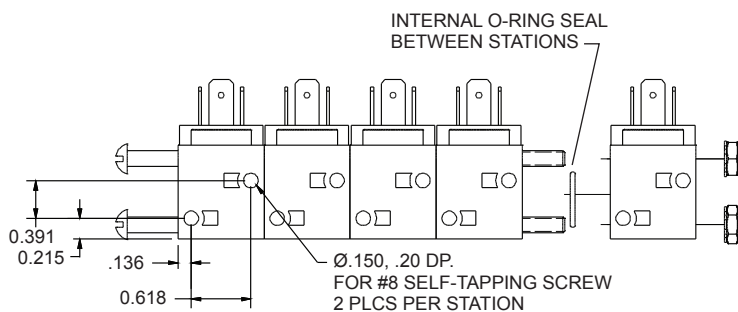
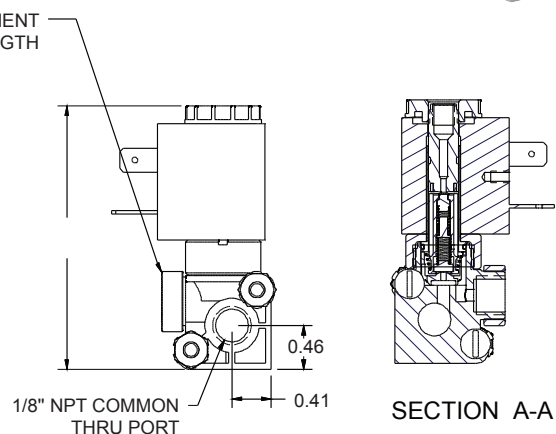
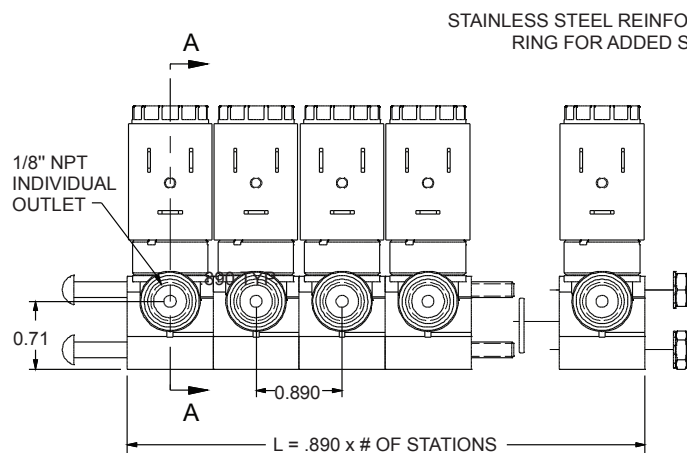
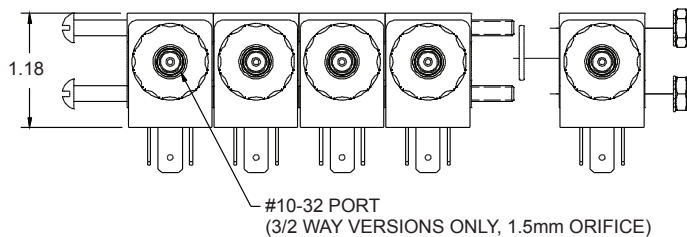




The Spartan Scientific Series 3923 contains all the features of the Series 3823 solenoid valve but can be stacked into a multiple output bank of solenoid valves. The Series 3923 features a fully encapsulated coil, spring compensated plunger seats for long life, and a miniature stackable composite valve body. The advantage to this design is the versatility to stock single units and build, mix, and match to meet specifications. In most cases the Series 3923 reduces inventory costs and lowers cost per installation over a conventional manifold valve series. The coils are available with DIN quick connect pin out, wire leads or with DIN connectors installed.

Dimensional Data

ALL DIMENSIONS ARE IN INCHES UNLESS OTHERWISE NOTED



Features

- Chemical compatibility
- Direct poppet actuation
- Composite valve body
- Available 2 or 3-way
- Vacuum to 200 PSI
- Single inlet with multiple outlets
- Modular components reduce inventory costs

SPARTAN SCIENTIFIC

www.spartanscientific.com

P.O. Box 9792, Boardman, Ohio 44513
(330) 758-8446 Fax: (330) 758-3314



Series 3923

Stackable Composite Solenoid Valves

Technical Data

Function: 2-way, 2-position and 3-way,
2 position direct acting, normally closed

Port Sizes: 1/8" NPT

**Orifice Sizes/
Flow Factor:** 0.6mm / .025 Cv
0.8mm / .035 Cv
1.0mm / .05 Cv
1.2mm / .065 Cv
1.5mm / .08 Cv
2.0mm / .17 Cv
2.4mm / .24 Cv

Pressure Range: Vacuum - 200 psi depending on orifice
size and function

Temp. Range: (Fluid 90°C max.) Ambient -10 to +50°C

Response Time: 12 to 14 ms complete cycle

Materials: Operator: 400 Series Stainless and Brass
Shading Ring: Copper standard
Springs: 300 Series Stainless
Seals: Viton, Nitrile, EPDM standard (Chemraz® available
on request)
Valve Body: Du Pont Zytel® FDA Approved
Mounting Plate: Zinc-plated Steel

Media: Air, oil, inert gas, water, caustics, etc.

Mounting: Ø.150" drill, .250" deep for #8 self tapping screw

Coil Data: Glass filled nylon encapsulation (Class F, continuous duty)
DIN spades or flying lead 6.5 watt standard
(other wattages available on request)
Voltage: 6, 12, 24 VDC
24, 120, 220, 240 VAC 50/60 Hz
Voltage Tolerance: +/- 10%

FUNCTION

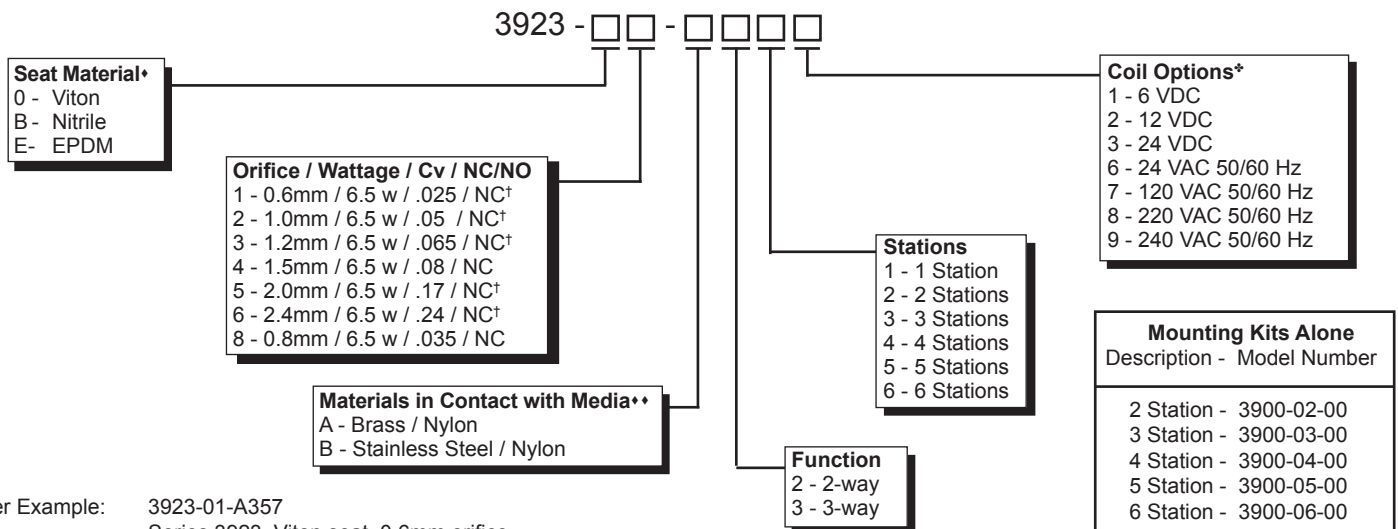
ORIFICE SIZE / VOLTAGE

	0.6 mm		0.8 mm		1.0 mm		1.2 mm		1.5 mm		2.0 mm		2.4 mm	
	AC	DC	AC	DC	AC	DC	AC	DC	AC	DC	AC	DC	AC	DC
2/2 NC	200	200	200	200	200	200	200	200	200	200	200	200	200	200
3/2 NC	200	200	200	200	180	180	160	160	150	150	90	75	60	60

MAX. PRESSURE RANGE (psi)

 Consult factory for available versions
recognized under the Component
Program of Underwriters Laboratories, Inc.

How To Order



Order Example: 3923-01-A357
Series 3923, Viton seat, 0.6mm orifice,
.025 Cv, normally closed, brass / nylon,
3-way, 5 station, 120 VAC 50/60Hz

† Not available in all configurations

*Seat material comes in contact with media.

**All versions come in contact with a copper shading ring.
Other versions available on request.

Mounting kit contains:
Two mounting screws,
two locking nuts and o-rings.

*For more coil options see page 7.