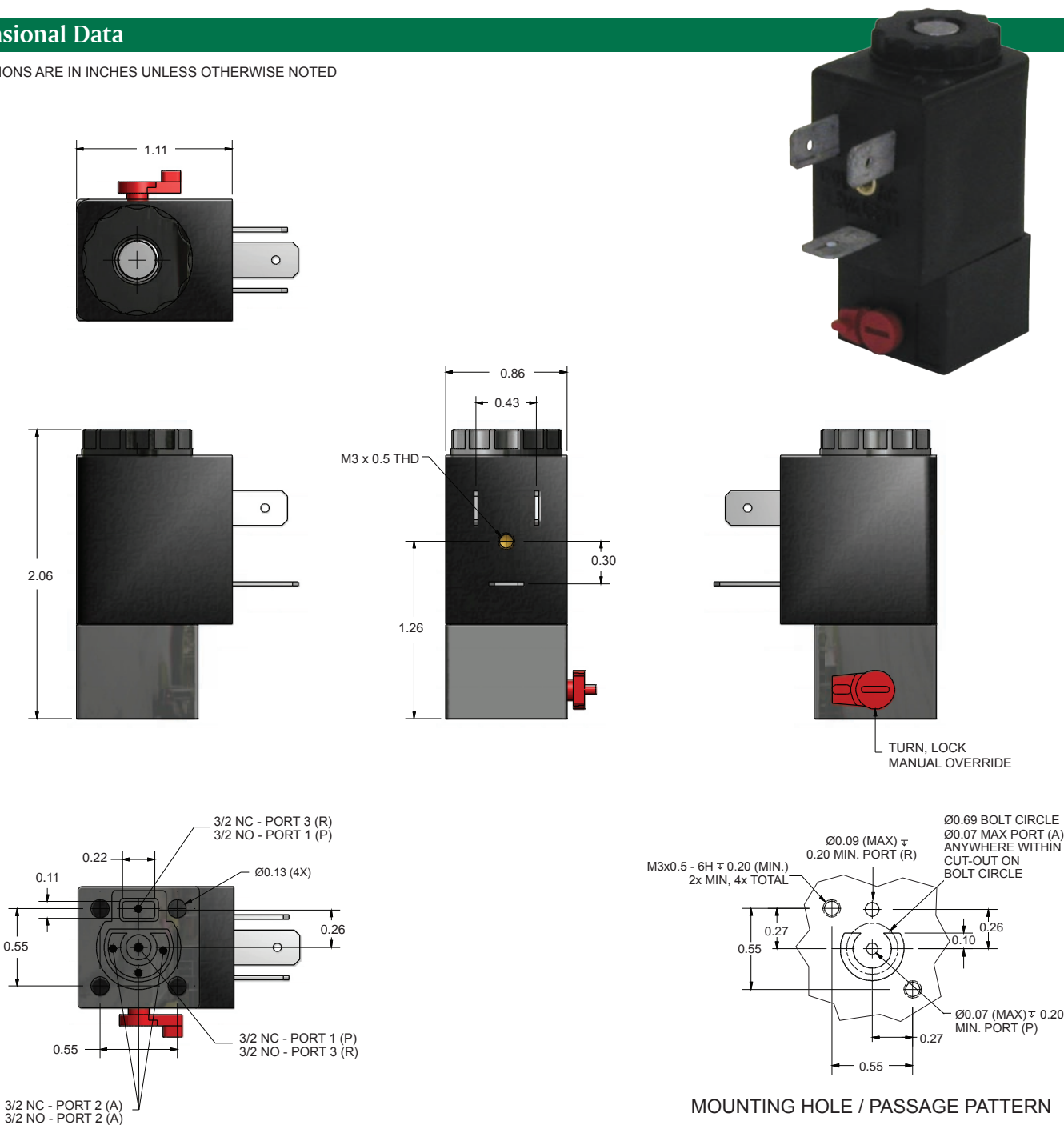




The Spartan Scientific Series 38KRI is a miniature solenoid operator pilot assembly designed to control inert gasses and liquids and is made to easily mount to a flat manifold surface. The 38KRI features a fully molded coil assembly that is available in spaded or flying lead configurations. The plunger and tube assembly are made from highest quality materials and exacting standards for long life and reliability. The valve body comes with turn locking manual override as standard. It can be assembled quickly to a manifold block by use of two screws (provided). The 38KRI is unique due to the fact that the valve has an internally piloted exhaust making the normally open version less expensive by having all of the ports contained within the valve body. Features the DIN 43650 B Industrial Standard quick connect interface.

Dimensional Data

ALL DIMENSIONS ARE IN INCHES UNLESS OTHERWISE NOTED





Series 38KRI

2-Way & 3-Way Solenoid Pilot Operator Assembly With Internal Exhaust

Technical Data

Function: 3/2 NC and 3/2 NO Solenoid Operated Pilot

Media: Air

Orifice Size: Main Body: 1.2 mm, 1.4 mm, 1.6mm
Exhaust: 1.4mm, 1.6mm

Pressure Range: 0 to 150 psi

Temp. Range: -10° C to +50° C (Fluid and Ambient)

Response Time: 8 to 15 ms

Materials: Armature Assembly: Brass, 300 and 400 Series
Stainless Steel
Valve Body: GF Polyester
Seals: NBR (standard), Viton, EPDM on request
Springs: 300 Series Stainless Steel
Shading Ring: Copper

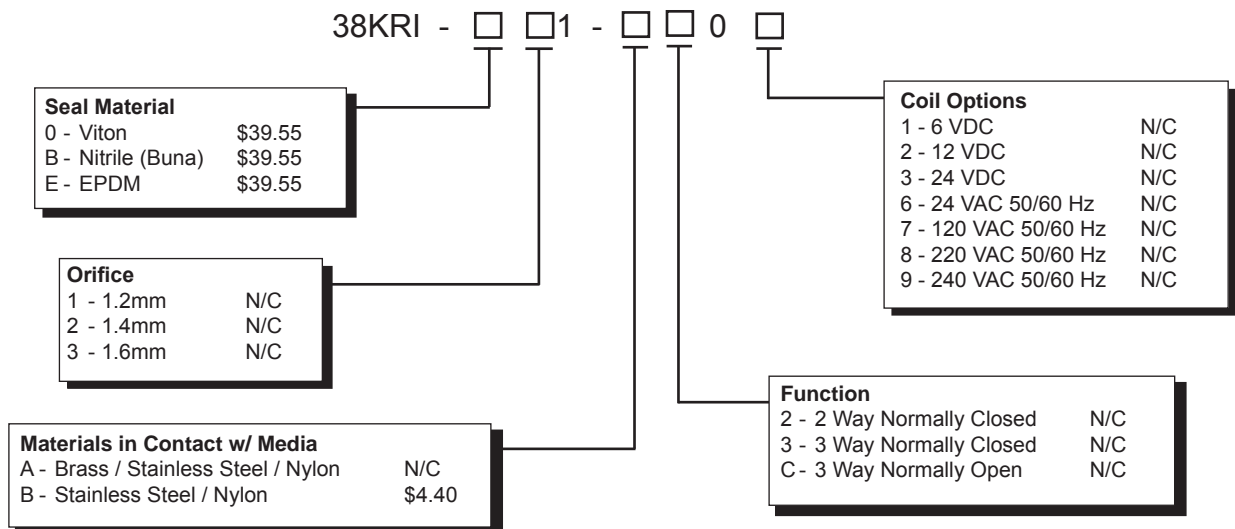
Mounting: (4x) Ø0.130 Holes for #5 FHMS (2 min. required)

Coil Data: Encapsulation: GF Nylon
Insulation: Class F
Windings: Class H
Voltage: 6, 12 and 24 VDC
24, 120, 220, 240 VAC 50/60 Hz
Voltage Tolerance: +/-10% Nominal
Power Rating: 6.5W VDC, 8.5VA VAC standard
Duty Cycle: 100% Continuous (within specs)

		ORFICE SIZE		
		1.2mm	1.4mm	1.6mm
FUNCTION	3/2 NC	150	N/A	150
	3/2 NO	N/A	150	100

MAX. PRESSURE RANGE (psi)

How To Order



Order Example: 38KRI-011-A201
Viton, 1.2mm Orifice,
Brass / Stainless Steel /
Nylon, 2 Way Normally
Closed, 6VDC