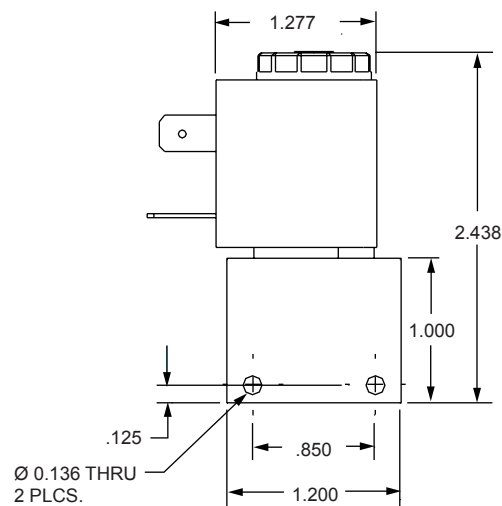
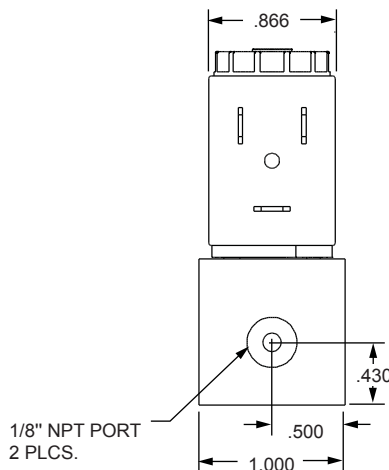
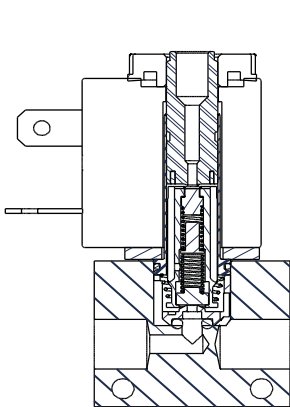
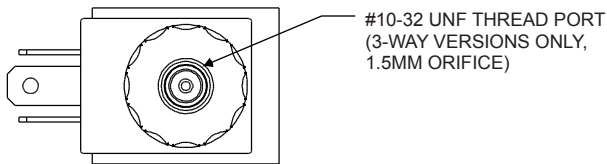




The Spartan Scientific Series 3835 is an aluminum body, 2-way or 3-way, 2-position, direct pilot solenoid valve that features drop in replacement to many popular valve styles for mounting. The 3835 features the full compliment of elastomers including Viton, Nitrile, EPDM and Chemraz and is available in orifice sizes from 0.6mm to 3.0mm in normally open and normally closed configurations. The coil is an all encapsulated unit with internal yoke, Mini spades or flying leads and class H insulation. Current consumption ranges from .9 watt up to 10 watt dependent upon the orifice and pressure ratings.

Dimensional Data

ALL DIMENSIONS ARE IN INCHES UNLESS OTHERWISE NOTED



ORIFICE SIZE / VOLTAGE

F
U
N
C
T
I
O
N

	0.6 mm		0.8 mm		1.0 mm		1.2 mm		1.5 mm		2.0 mm		2.4 mm		*3.0 mm	
	AC	DC	AC	DC	AC	DC	AC	DC	AC	DC	AC	DC	AC	DC	AC	DC
2/2 NC	200	200	200	200	200	200	200	200	200	200	200	200	200	200	75	60
2/2 NO	N/A	N/A	N/A	N/A	N/A	N/A	N/A	N/A	200	200	N/A	N/A	N/A	N/A	N/A	N/A
3/2 NC	200	200	200	200	200	200	180	180	150	150	90	75	60	60	25	25
3/2 NO	N/A	N/A	N/A	N/A	N/A	N/A	N/A	N/A	170	150	N/A	N/A	N/A	N/A	N/A	N/A

MAX. PRESSURE RANGE *3.0mm uses 30mm coil.
(psi)

Features

- Compact size
- Long cycle life
- 8 orifice sizes
- Quick change orifice
- Industrial interchangeable valve body
- Low wattage coil options available



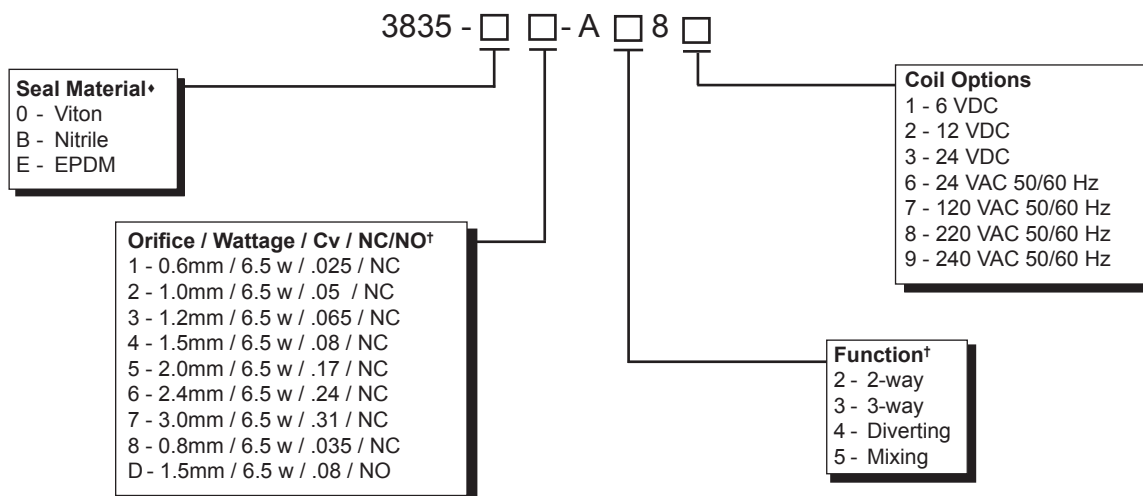
Series 3835

2-Way & 3-Way
Solenoid Valves

Technical Data

- Function:** 2-way, 2-position and 3-way, 2-position, direct acting, normally closed or normally open
- Port Sizes:** 1/8" NPT
- Orifice Sizes/
Flow Factor:**
 0.6mm / .025 Cv
 0.8mm / .035 Cv
 1.0mm / .05 Cv
 1.2mm / .065 Cv
 1.5mm / .08 Cv
 2.0mm / .17 Cv
 2.4mm / .24 Cv
 3.0mm / .31 Cv
- Pressure Range:** Vacuum - 200 psi depending on orifice size and function
- Temp. Range:** (Fluid 90°C max.) Ambient - 10 to +50°C
- Response Time:** 12-14 ms complete cycle
- Materials:**
 Operator: 400 Series Stainless and Brass standard (400 and 300 Stainless on request)
 Shading Ring: Copper standard
 Springs: 300 Series Stainless
 Seals: Viton, Nitrile, EPDM standard (Chemraz® available on request)
 Valve Body: Anodized Aluminum (Other material available on request)
 Mounting Plate: Zinc-plated Steel
 Orifice Basket: Nylon
- Media:** Air, oil, inert gas, water, caustics, etc.
- Mounting:** Ø.136" thru hole (2 places)
- Coil Data:**
 Glass filled nylon encapsulation (Class F, continuous duty)
 DIN spades or flying lead 6.5 watt standard (other wattages available on request)
 Voltage: 6, 12, 24 VDC
 24, 120, 220, 240 VAC 50/60 Hz
 Voltage Tolerance: +/- 10%

How To Order



Order Example: 3835-01-A387
 Series 3835, Viton seal, 0.6mm orifice, .025 Cv,
 normally closed, 3-way, 120 VAC 50/60 Hz

† Not available in all configurations

*Seal material comes in contact with media.

Note: Media comes in contact with a copper shading ring.
 Other versions available on request.