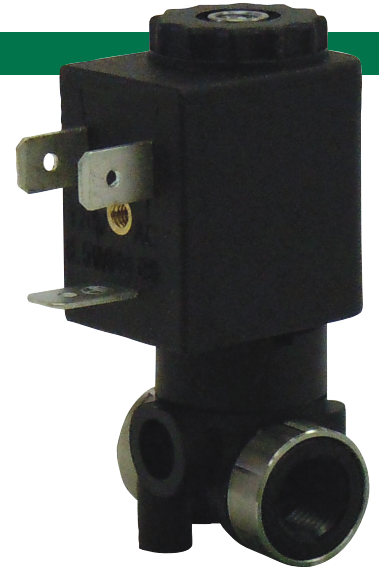
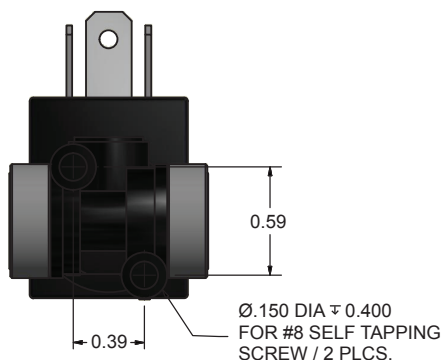
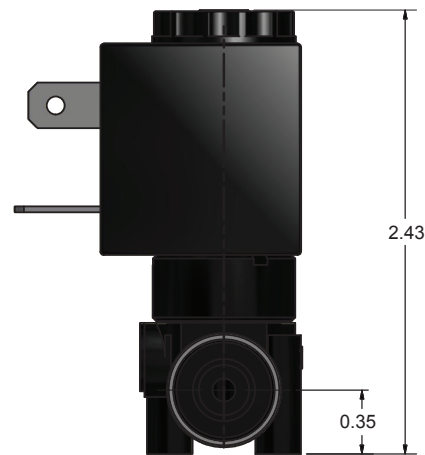
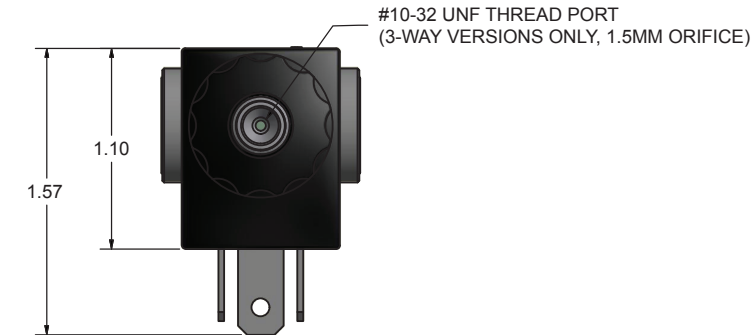




The Spartan Scientific Series 3827 is a composite body solenoid valve offered in both 2-way and 3-way normally open or closed functions and seven orifice sizes. Component features include the proven Spartan Series 3000 solenoid operator available in brass/stainless or all stainless pilot design, optional seal materials and nylon encapsulated coil. The "basket" orifice design feature allows the possibility of changing the orifice diameter to meet flow requirements within a matter of seconds. The DuPont Zytel® composite material is media compatible, eliminating the need for stocking multiple body materials.

Dimensional Data

ALL DIMENSIONS ARE IN INCHES UNLESS OTHERWISE NOTED



Features

- Composite material
- Chemical compatibility
- FDA approved materials
- 8 orifice sizes
- Quick change orifice
- Low wattage coil options available



Series 3827

Composite 2-Way & 3-Way Solenoid Valves

Technical Data

Function: 2-way, 2-position and 3-way, 2-position direct acting, normally closed or normally open

Port Sizes: 1/8" NPT

**Orifice Sizes/
Flow Factor:**
0.6mm / .025 Cv
0.8mm / .035 Cv
1.0mm / .05 Cv
1.2mm / .065 Cv
1.5mm / .08 Cv
2.0mm / .17 Cv
2.4mm / .24 Cv
3.0mm / .31 Cv

Pressure Range: Vacuum - 200 psi depending on orifice size and function

Temp. Range: (Fluid 90°C max.) Ambient - 10 to +50°C

Response Time: 12-14 ms complete cycle

Materials: Operator: 400 Series Stainless and Brass standard (400 and 300 Stainless upon request)
Shading Ring: Copper standard
Springs: 300 Series Stainless
Seals: Viton, Nitrile, EPDM standard (Chemraz® available on request)
Valve Body: DuPont Zytel® FDA Approved
Mounting Plate: Zinc-plated Steel

Media: Air, oil, inert gas, water, caustics, etc.

Mounting: Ø.150" drill, 2 places for a #8 self-tapping screw

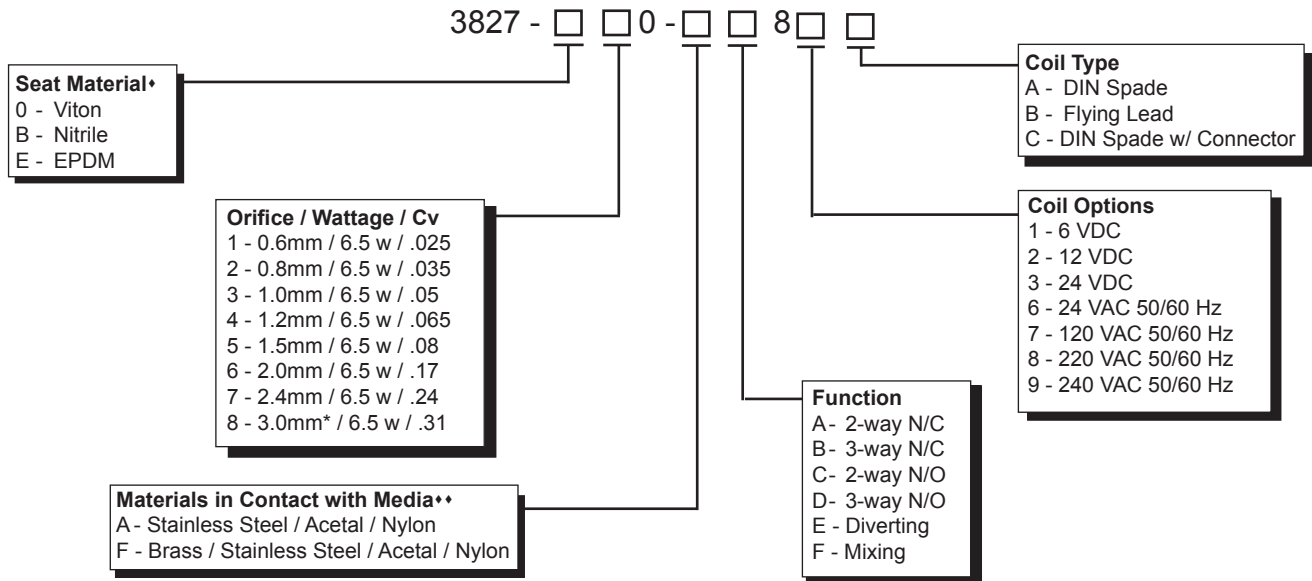
Coil Data: Glass filled nylon encapsulation (Class F, continuous duty)
DIN spades or flying lead 6.5 watt standard (other wattages available on request)
Voltage: 6, 12, 24 VDC
24, 120, 220, 240 VAC 50/60 Hz
Voltage Tolerance: +/- 10%

ORIFICE SIZE / VOLTAGE

| FUNCTION | 0.6 mm | | 0.8 mm | | 1.0 mm | | 1.2 mm | | 1.5 mm | | 2.0 mm | | 2.4 mm | | *3.0 mm | |
|----------|--------|-----|--------|-----|--------|-----|--------|-----|--------|-----|--------|-----|--------|-----|---------|-----|
| | AC | DC | AC | DC | AC | DC | AC | DC | AC | DC | AC | DC | AC | DC | AC | DC |
| | 2/2 NC | 200 | 200 | 200 | 200 | 200 | 200 | 200 | 200 | 200 | 200 | 200 | 200 | 200 | 200 | 75 |
| 2/2 NO | N/A | N/A | N/A | N/A | N/A | N/A | N/A | N/A | 150 | 150 | N/A | N/A | N/A | N/A | N/A | N/A |
| 3/2 NC | 200 | 200 | 200 | 200 | 200 | 200 | 180 | 180 | 150 | 150 | 90 | 75 | 60 | 60 | 25 | 25 |
| 3/2 NO | N/A | N/A | N/A | N/A | N/A | N/A | N/A | N/A | 150 | 150 | N/A | N/A | N/A | N/A | N/A | N/A |

MAX. PRESSURE RANGE (psi)

How To Order



*3.0mm uses 3C 30mm coil. Refer to pages 6 - 7.

*Seat material comes in contact with media.

**All versions come in contact with a copper shading ring. Other versions available on request.

Order Example: 3827-010-AA81A
Series 3827, Viton seat, 0.6mm orifice, .025 Cv, Stainless Steel / Acetal / Nylon, 2-way N/C, 6 VDC, DIN Spade.