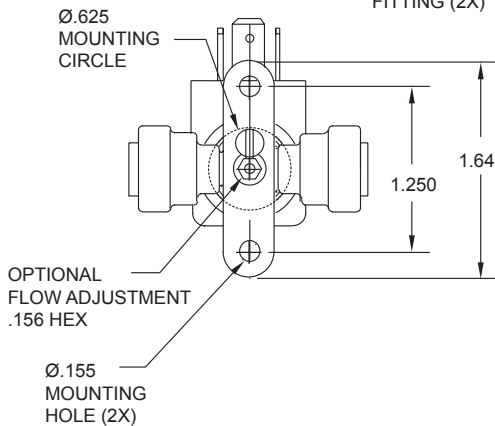
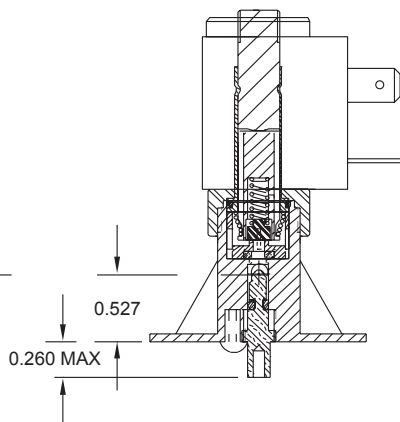
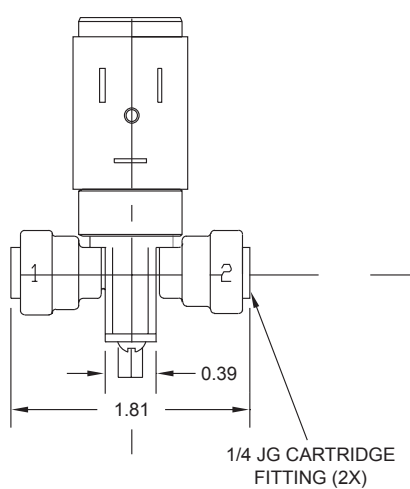
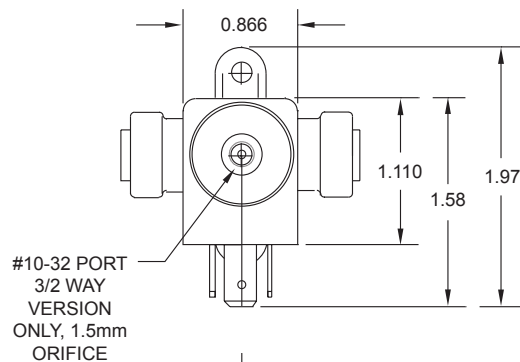
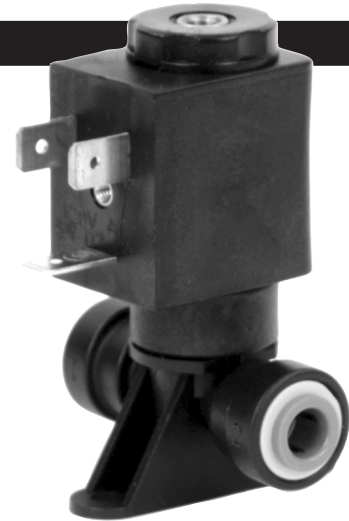




The Spartan Scientific Series 3825 is a composite body solenoid valve featuring integrated .250 inch O.D. quick connect tube fittings right in the valve body. Advantages include reduced leak points and a lower installation cost. Additional features include 2-way and 3-way, 2-position function in either normally open, normally closed, mixing or diverting versions. This versatile series incorporates the orifice basket technology ensuring rapid assembly of many orifice sizes from 0.6 to 3.0 mm. A unique option is that this valve can be made with an externally adjustable flow control effectively giving the operator the ability to dial in a custom flow rate after the valve has been installed in the application. The valve coil is available in all standard voltages with flying leads or DIN quick connect and all versions are fully nylon encapsulated. The 3825 is available in media compatible materials that include stainless steel, or brass, and FDA and NSF approved thermo-plastics. Many seal materials are available with viton as standard.

Dimensional Data

ALL DIMENSIONS ARE IN INCHES UNLESS OTHERWISE NOTED



Features

- Composite material
- Chemical compatibility
- 8 orifice sizes
- Quick change orifice
- Integrated fittings
- Molded coil
- Optional metering adjustment
- DIN spades or flying lead coils

ORIFICE SIZE / VOLTAGE

FUNCTION	ORIFICE SIZE / VOLTAGE															
	0.6 mm		0.8 mm		1.0 mm		1.2 mm		1.5 mm		2.0 mm		2.4 mm		*3.0 mm	
	AC	DC	AC	DC	AC	DC	AC	DC	AC	DC	AC	DC	AC	DC	AC	DC
2/2 NC	150	150	150	150	150	150	150	150	150	150	150	150	150	150	75	60
2/2 NO	N/A	N/A	N/A	N/A	N/A	N/A	N/A	N/A	150	150	N/A	N/A	N/A	N/A	N/A	N/A
3/2 NC	150	150	150	150	150	150	150	150	150	150	90	75	60	60	25	25
3/2 NO	N/A	N/A	N/A	N/A	N/A	N/A	N/A	N/A	150	150	N/A	N/A	N/A	N/A	N/A	N/A

MAX. PRESSURE RANGE (psi)

*3.0mm uses 30mm coil. Refer to pages 6 - 7.



Series 3825

Composite 2-Way & 3-Way
Solenoid Valves

Technical Data

Function: 2/2 way or 3/2 way normally open or closed, direct acting. Diverting or mixing

Port Sizes: 1/4" O.D. JG (John Guest) tube cartridges (2x)

Orifice Sizes/

Flow Factor:
0.6mm / .025 Cv
0.8mm / .035 Cv
1.0mm / .05 Cv
1.2mm / .065 Cv
1.5mm / .08 Cv
2.0mm / .17 Cv
2.4mm / .24 Cv
3.0mm / .31 Cv

Pressure Range: Vacuum to 150 psi (depending on orifice size)

Temp. Range: (Fluid 90°C max.) Ambient - 10 to +55°C

Response Time: 14-20 ms

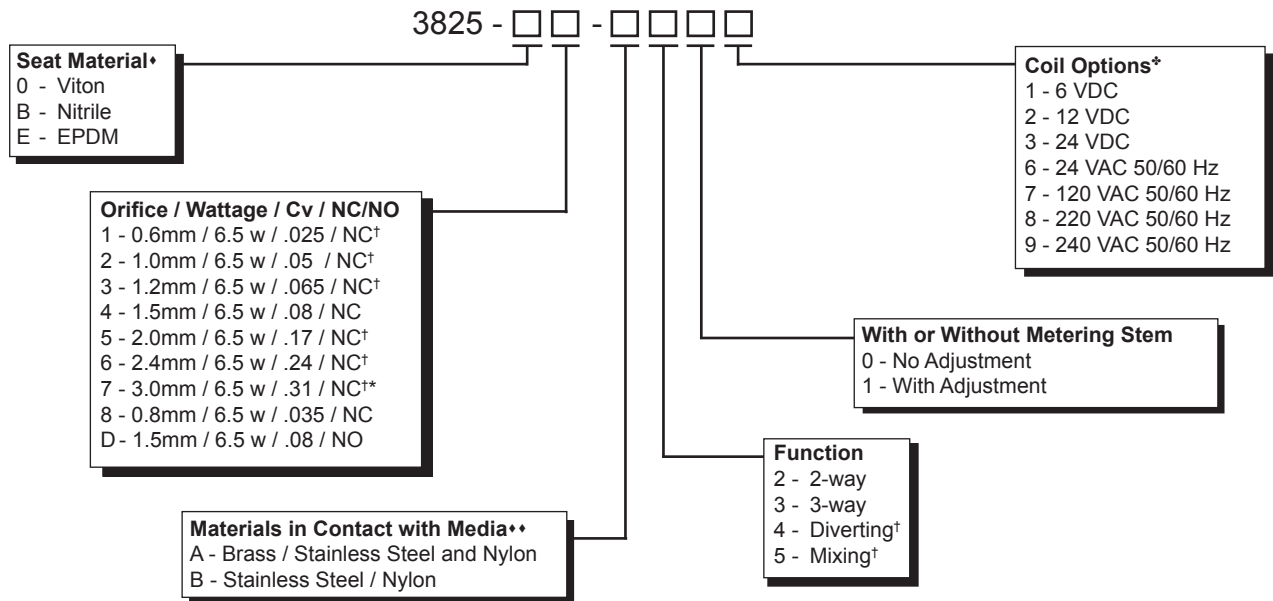
Materials: Operator: 400 Series Stainless and Brass tube standard (400 and 300 Stainless tube available on request)
Shading Ring: Copper standard
Springs: 300 Series Stainless
Seals: Viton, Nitrile, EPDM standard (Chemraz® available on request)
Valve Body: DuPont® Celcon GB25 Acetal resin
Fittings: DuPont® Celcon GB25 Acetal resin

Media: Air, water, potable water, light oils (consult factory for chemical compatibility)

Mounting: Ø.155" mounting holes, 2 places

Coil Data: Glass filled nylon encapsulation (Class F, continuous duty)
DIN spades or flying lead 6.5 watt standard (other wattages available on request)
Voltage: 6, 12, 24 VDC
24, 120, 220, 240 VAC 50/60 Hz
Voltage Tolerance: +/- 10%

How To Order



Order Example: 3825-01-A307
Series 3825, Viton seat, 0.6mm orifice, .025 Cv, normally closed, brass / stainless steel and nylon, 3-way, without metering stem, 120 VAC 50/60 Hz

*3.0mm uses 30mm coil. Refer to pages 6 - 7.

[†] Not available in all configurations

♦Seat material comes in contact with media.

♦♦Media will contact shading ring in all versions. Other versions available on request.

*For more coil options see page 7.