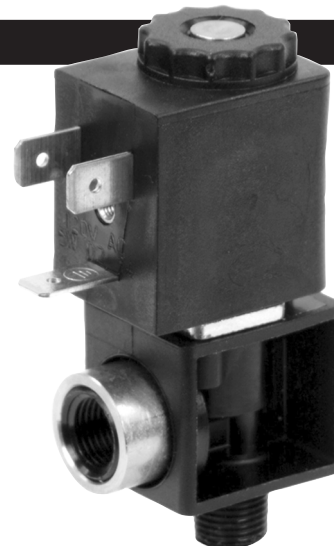
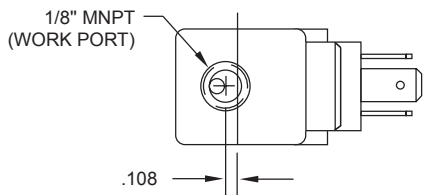
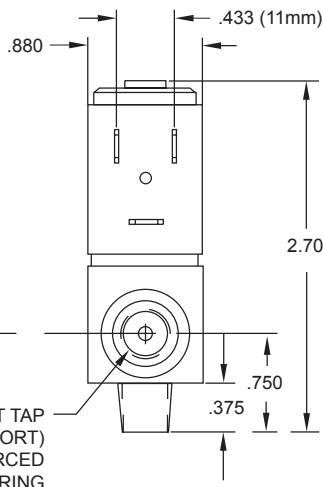
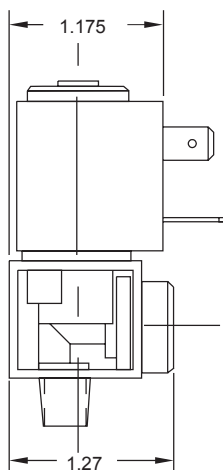
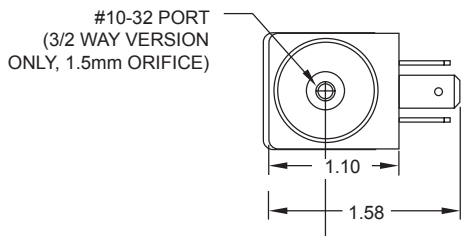




The Series 3824 is a 2 or 3-way, 2-position composite body solenoid valve designed to take the place of a fitting using a female inlet and male outlet port. The valve is generally mounted into an air cylinder port to control a single acting linear actuator. Component features include the proven solenoid operator available in brass/stainless or all stainless pilot design, optional seal materials and nylon encapsulated coil. The "basket" orifice design feature allows the possibility of changing the orifice diameter to meet flow requirements within a matter of seconds.

Dimensional Data

ALL DIMENSIONS ARE IN INCHES UNLESS OTHERWISE NOTED



Plastic bodied version shown.

Features

- Composite material
- Chemical compatibility
- 8 orifice sizes
- Quick change orifice

ORIFICE SIZE / VOLTAGE

F
U
N
C
T
I
O
N

	0.6 mm		0.8 mm		1.0 mm		1.2 mm		1.5 mm		2.0 mm		2.4 mm		*3.0 mm	
	AC	DC	AC	DC	AC	DC	AC	DC	AC	DC	AC	DC	AC	DC	AC	DC
2/2 NC	200	200	200	200	200	200	200	200	200	200	200	200	200	200	75	60
2/2 NO	N/A	N/A	N/A	N/A	N/A	N/A	N/A	N/A	200	200	N/A	N/A	N/A	N/A	N/A	N/A
3/2 NC	200	200	200	200	200	200	180	180	150	150	90	75	60	60	25	25
3/2 NO	N/A	N/A	N/A	N/A	N/A	N/A	N/A	N/A	150	150	N/A	N/A	N/A	N/A	N/A	N/A

**MAX. PRESSURE RANGE
(psi)**

*3.0mm uses 30mm coil. Refer to pages 6 - 7.



Series 3824

Composite 2-Way & 3-Way
Solenoid Valves

Technical Data

Function: 2-way, 2-position and 3-way, 2-position direct acting, normally closed or normally open

Port Sizes: 1/8" NPT
1/8" MNPT

Orifice Sizes/

Flow Factor: 0.6mm / .025 Cv
0.8mm / .035 Cv
1.0mm / .05 Cv
1.2mm / .065 Cv
1.5mm / .08 Cv
2.0mm / .17 Cv
2.4mm / .24 Cv
*3.0mm / .31 Cv

Pressure Range: Vacuum - 200 psi (depending on orifice size)
NPT version

Temp. Range: (Fluid 90°C max.) Ambient - 10 to +50°C

Response Time: 12-14 ms complete cycle

Materials: Operator: 400 Series Stainless and Brass tube standard (300 Stainless tube available on request)
Shading Ring: Copper standard
Springs: 300 Series Stainless
Seals: Viton, Nitrile, EPDM standard (Chemraz® available on request)
Valve Body: Celcon GB25, or Aluminum
Mounting Plate: Zinc-plated Steel

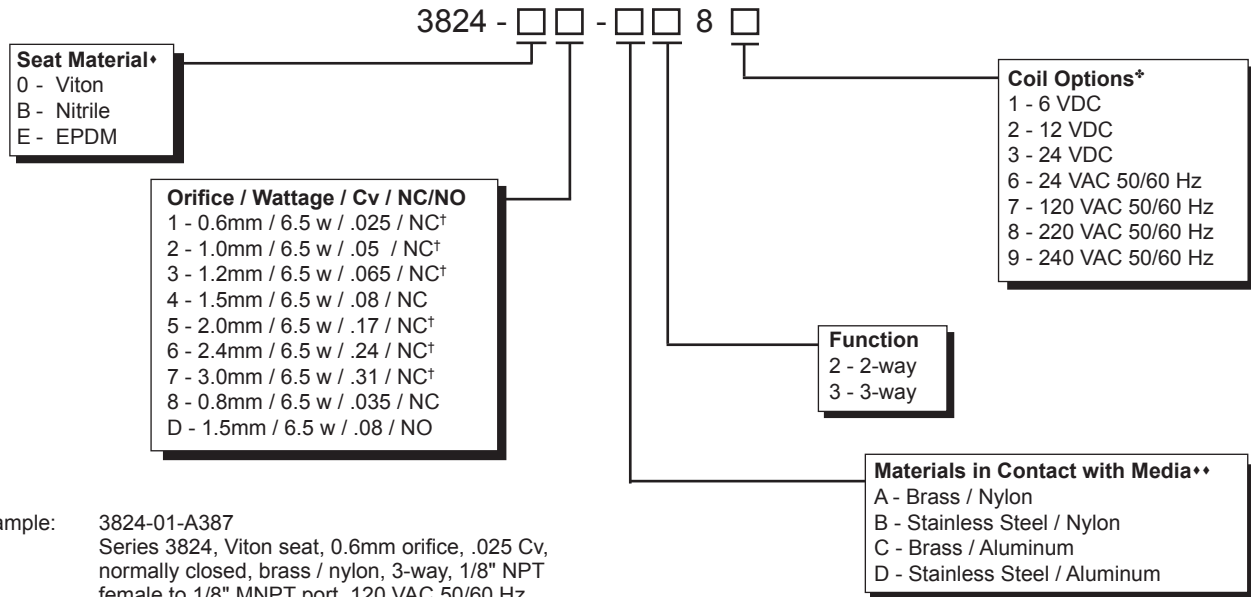
Media: Air, oil, inert gas, water, caustics, etc.

Mounting: 1/8" NPT male port

Coil Data: Glass filled nylon encapsulation (Class F, continuous duty)
DIN spades or flying lead 6.5 watt standard (other wattages available on request)
Voltage: 6, 12, 24 VDC
24, 120, 220, 240 VAC 50/60 Hz
Voltage Tolerance: +/- 10%

*3.0mm uses 30mm coil. Refer to pages 6 - 7.

How To Order



† Not available in all configurations

*Seat material comes in contact with media.

**All versions come in contact with a copper shading ring.
Other versions available on request.

*For more coil options see page 7.