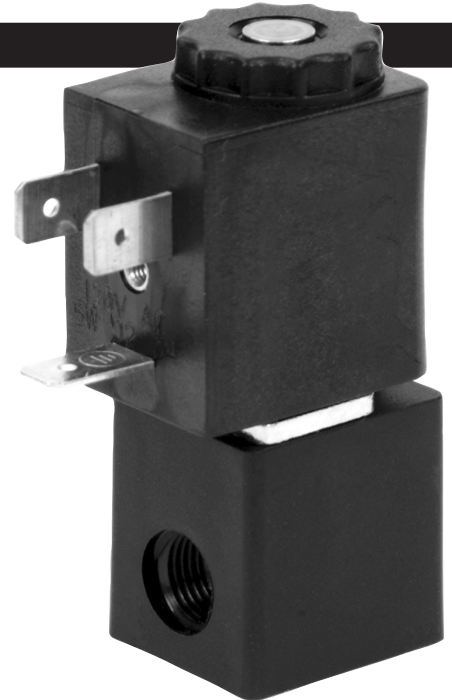
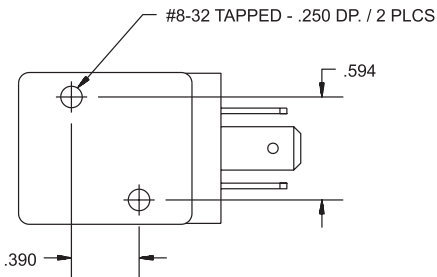
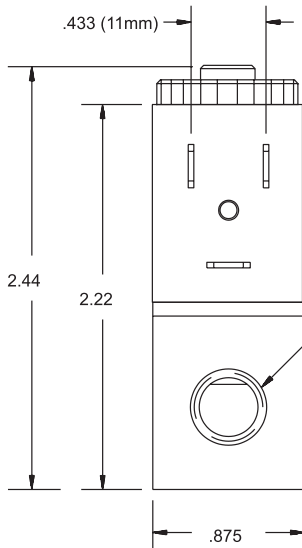
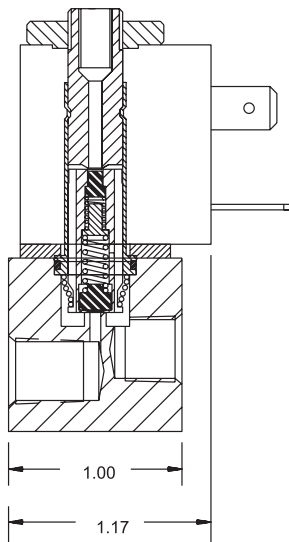
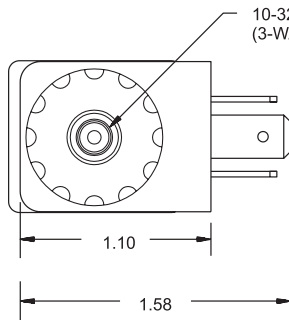




The Spartan Scientific Series 3822 is a 2 or 3-way single solenoid valve with a spring return. Constructed from highest grade materials, the Series 3822 features a completely glass filled nylon encapsulated coil, stainless steel plunger and stop, and spring compensated plunger seals for long trouble free service. The Series 3822 is offered with DIN quick connect male pin out, wire leads or with DIN connector installed. The standard body is aluminum but can be made of brass or stainless steel materials. The Series 3822 is a long life, low cost solution to many automation applications.

Dimensional Data

ALL DIMENSIONS ARE IN INCHES UNLESS OTHERWISE NOTED



ORIFICE SIZE / VOLTAGE

FUNCTION		1.5mm	
		AC	DC
	2/2 NC	150	120
	2/2 NO	150	120
	3/2 NC	150	120
	3/2 NO	150	120

MAX. PRESSURE RANGE
(psi)



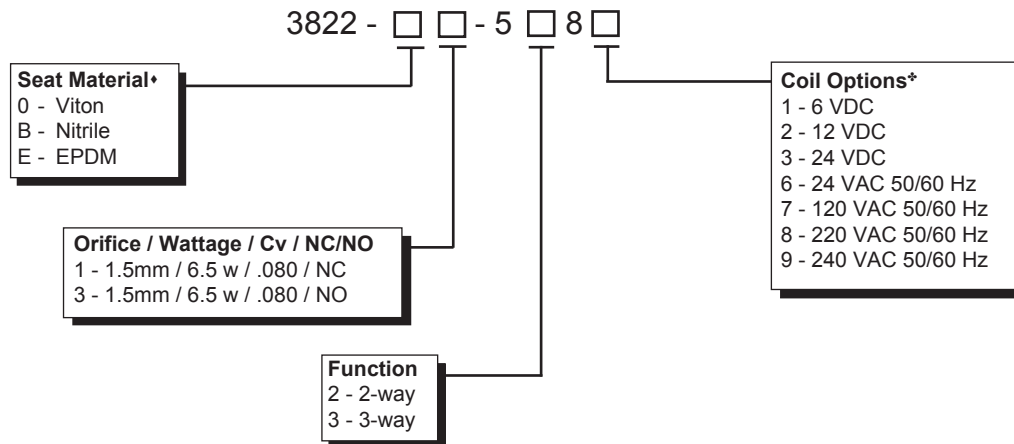
Series 3822

2-Way & 3-Way
Solenoid Valves

Technical Data

- Function:** 2-way, 2-position and 3-way, 2-position, direct acting, normally closed or normally open
- Port Sizes:** 1/8" NPT
- Orifice Sizes/
Flow Factor:** 1.5mm / .08 Cv
- Pressure Range:** Vacuum-150 psi
- Temp. Range:** (Fluid 90°C max.) Ambient - 10 to +50°C
- Response Time:** 12 ms complete cycle
- Materials:** Operator: 400 Series Stainless and Brass
Shading Ring: Copper standard
Springs: 300 Series Stainless Steel
Seals: Viton, Nitrile, EPDM standard (Chemraz® available on request)
Valve Body: Aluminum standard (Brass and Stainless Steel available on request)
- Media:** Air, oil, inert gas, water
- Mounting:** For #8-32 machine screw
- Coil Data:** Glass filled nylon encapsulation (Class F, continuous duty)
DIN spades or flying lead 6.5 watt standard
(other wattages available on request)
Voltage: 6, 12, 24 VDC
24, 120, 220, 240 VAC 50/60 Hz
Voltage Tolerance: +/- 10%

How To Order



*Seat material comes in contact with media.

Order Example: 3822-01-5387
Series 3822, 1.5mm orifice, .080 Cv, normally closed, 3-way, 120 VAC 50/60 Hz

*For more coil options see page 7.