

Series 3800

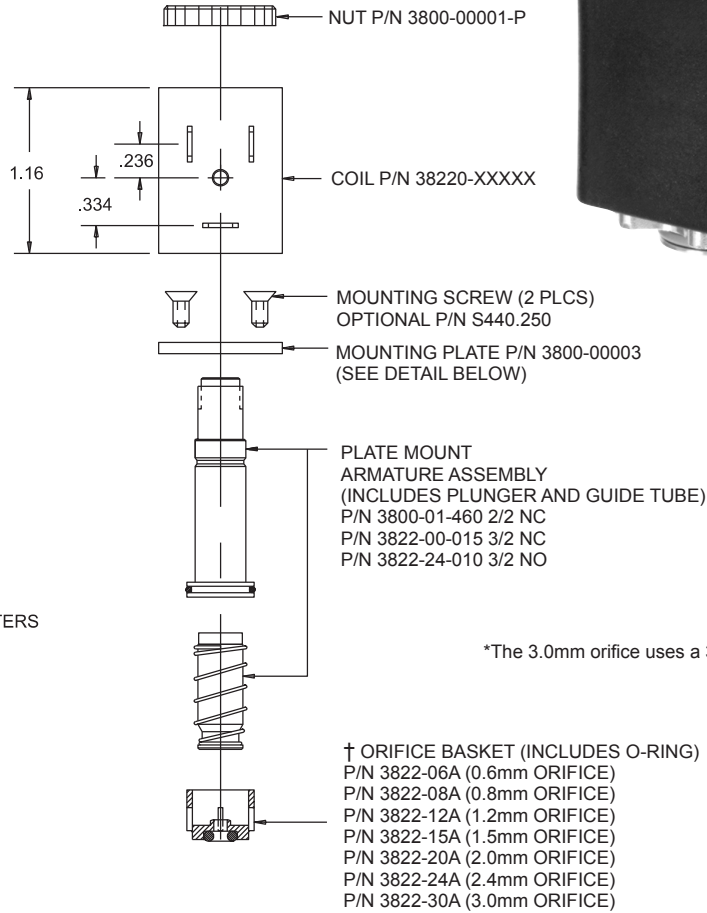
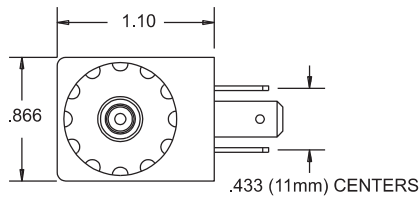
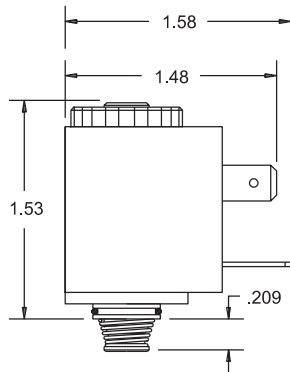
Mini Solenoid Operators



The Spartan Scientific Series 3800 solenoid operators are specially designed for the pilot function of 3 and 4-way pneumatic directional control valves. Available in plate mount, the operators are interchangeable with most solenoid operator interfaces. Sealing discs are spring compensated. Shading ring is standard so that both AC and DC coils can be used on all armatures. Coils are glass filled nylon encapsulation.

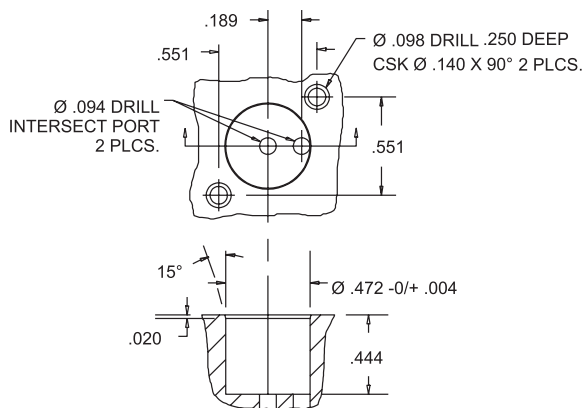
Dimensional Data

ALL DIMENSIONS ARE IN INCHES UNLESS OTHERWISE NOTED



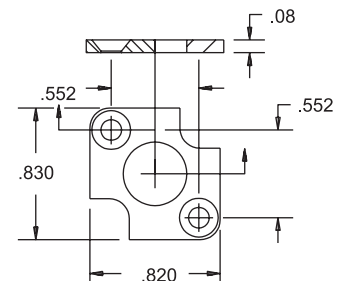
*The 3.0mm orifice uses a 30mm coil. Refer to pages 6 - 7.

Orifice Basket / Armature Cavity Details



† Orifice Baskets are optional.
Consult factory for part numbers and pricing.

MOUNTING PLATE DETAILS



SPARTAN SCIENTIFIC

www.spartanscientific.com

P.O. Box 9792, Boardman, Ohio 44513
(330) 758-8446 Fax: (330) 758-3314

www.comoso.com



Series 3800

Mini Solenoid Operators

Technical Data

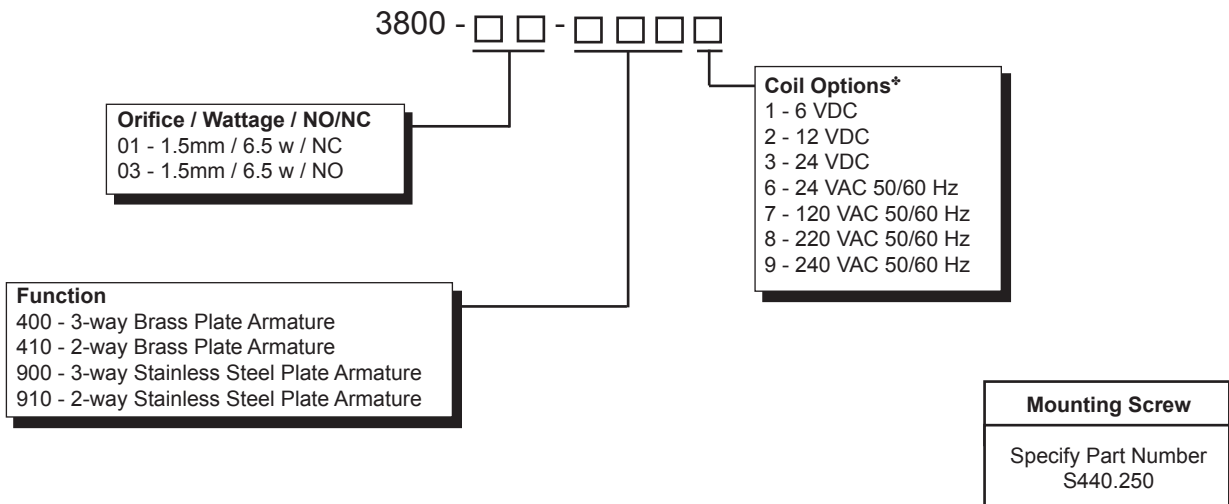
- Voltages:** 6, 12, 24 VDC
24, 120, 220, 240 VAC 50/60 Hz
- Pressure Range:** Vacuum - 200 psi depending on orifice size and function
- Temp. Range:** 50° C Ambient temperature
- Voltage Tolerance:** +/-10%
- Cycle Rate:** 12 ms
- Coil:** Glass filled nylon encapsulation (Class F, continuous duty)
- Environment Protection:** Dust-tight and water resistant to IP65 (with electrical connector)
- Wattage Available:** 6.5 watt standard. 2.5 watt and other wattages available on request.
- Materials:** Operator: AISI 400 and Brass, or 300 Series Stainless Steel
Shading Ring: Copper standard
Nut: Nylon
Seals: Viton, Nitrile, EPDM standard (Chemraz® available on request)
Mounting Plate: Zinc plated steel

ORIFICE SIZE / VOLTAGE

F U N C T I O N		1.5 mm	
		AC	DC
	2/2 NC	200	200
	2/2 NO	200	200
	3/2 NC	150	150
	3/2 NO	150	150

MAX. PRESSURE RANGE (psi)

How To Order



Order Example: 3800-01-4107
Series 3000, 1.5mm orifice, 5.0 w, normally closed,
2-way brass plate armature, 120 VAC 50/60 Hz

*For more coil options see page 7.