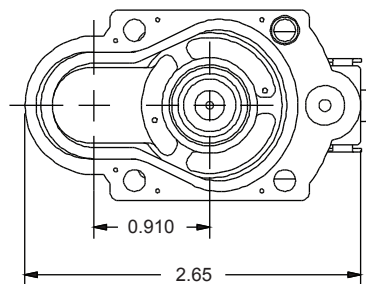
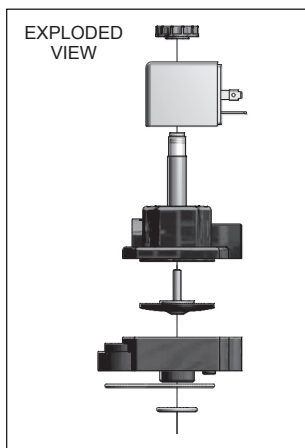
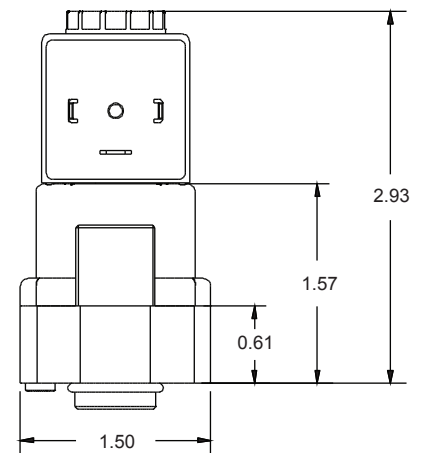
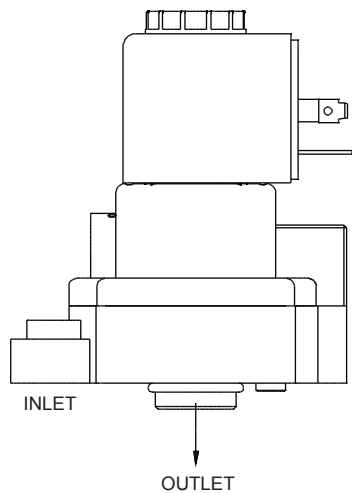
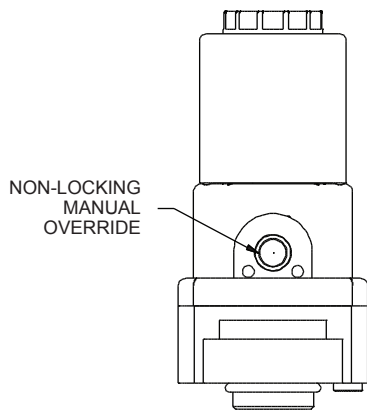
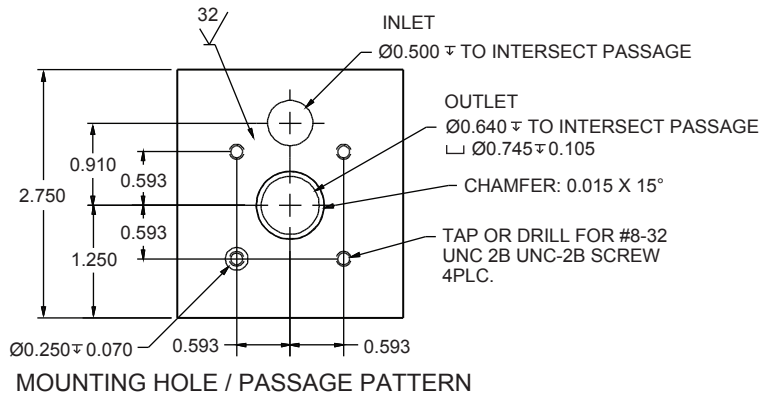




The Spartan Scientific Series 35KR 2-way, 2-position solenoid valve is a variation on the popular 3500 Series valves which feature miniaturized size vs. flow rate while allowing the user to manifold multiple outlets with one inlet. The 35KR design features the direct pilot design which controls zero to 150 PSI in the all plastic version. The intermediate orifice plate design is the key to the 35KR in that it includes all the details of careful orifice design and creates a simple sealing pattern which can be mounted to integrated equipment and complex manifolds with simple mounting screws. The mounting style reduces leak points and numbers of connections. The 12mm orifice promotes full flow while the valve body, at only 1.5 inches wide, can be gang mounted to give impressively small envelope packages with many outputs. The simple mounting pattern is shown under dimensional data and can be machined into many varied manifold configurations.

**Dimensional Data**

ALL DIMENSIONS ARE IN INCHES UNLESS OTHERWISE NOTED





# Series 35KR

2-Way  
Solenoid Valves

## Technical Data

**Function:** 2-way, 2-position normally closed or normally open internal pilot diaphragm

**Orifice Sizes:** 1/2"

**Pressure Range:** 0 - 150 psi 1/4" to 1/2" NPT  
(Valve requires 1.5 psi differential to fully open.)

**Flow Factors:** Up to 2.45 Cv

**Temp. Range:** (Fluid max. 90°C) Ambient -10° to +50°C

**Response Time:** 20 to 80 ms complete cycle

**Materials:** Operator: AISI 400 and 300 Series  
Stainless Steel or Brass  
Shading Ring: Copper standard  
Valve Body: Glass filled nylon  
Seals: Viton, Nitrile, EPDM

**Manual Override:** Push non-locking

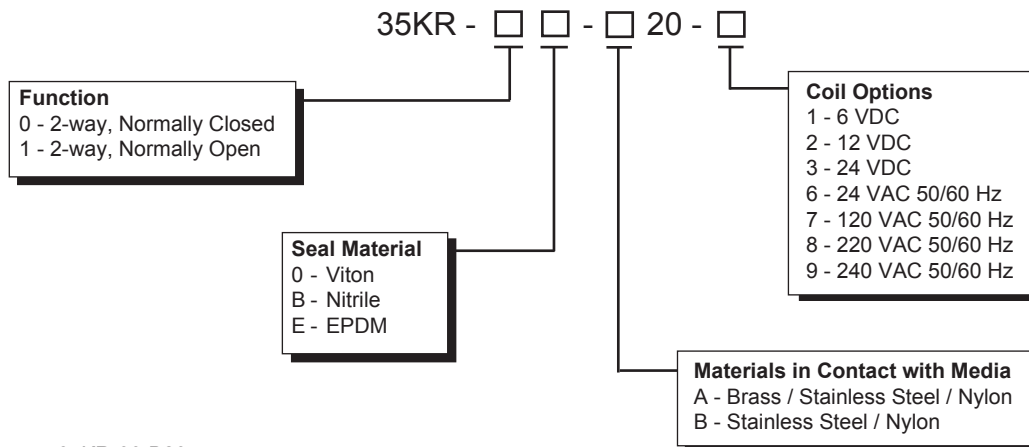
**Media:** Air, oil, water, emulsion, inert gases

**Coil Data:** Glass filled nylon encapsulation  
(Class F, continuous duty)  
10 watt VDC, 8 watt VAC  
Volts: 6, 12, 24 VDC  
24, 120, 220, 240 VAC 50/60 Hz  
Voltage tolerance: +/- 10%

FUNCTION	VOLTAGE	
	AC	DC
2/2 NC	150	150
2/2 NO	150	120

MAX. PRESSURE RANGE (psi)

## How To Order



Order Example: 35KR-00-B20-7  
Series 35KR, 2-way, normally closed,  
Viton seal, Stainless Steel / Nylon, 120 VAC 50/60 Hz.

Replacement Diaphragm Kits		
Kit includes: Diaphragm and Orifice insert		
Specify Part Number		
Viton	3500-01-0001	Normally
Nitrile	3500-B1-0001	Closed
EPDM	3500-E1-0001	
Viton	3500-01-0003	Normally
Nitrile	3500-B1-0003	Open
EPDM	3500-E1-0003	