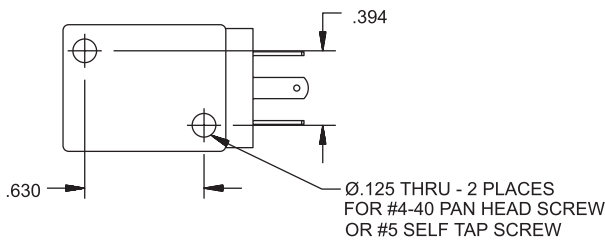
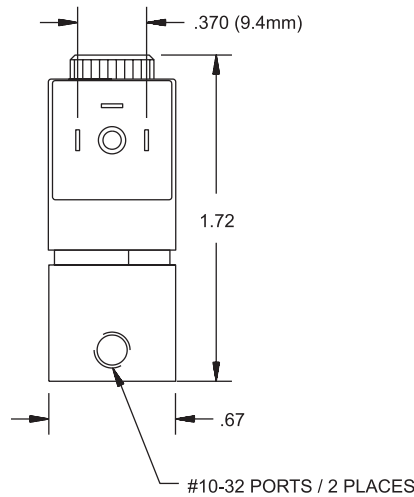
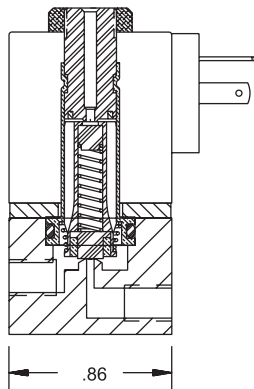
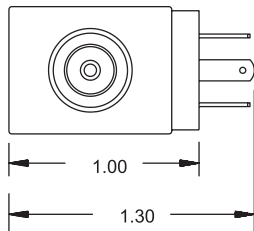
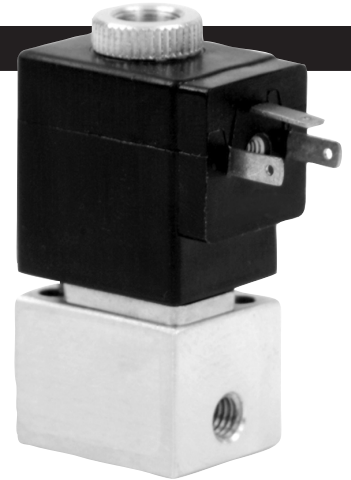




The compact size of the Spartan Scientific Series 2510 Sub-Micro solenoid valve allows it to be used in applications when size restrictions prohibit the use of larger valves. With two orifice sizes to choose from, the 2510 provides a range of flow possibilities at various pressures. The low power consumption, 2.4 watt standard, is an ideal combination for programmable controller applications. The 2510 coil can be rotated 360° and is of completely molded construction. The brass / stainless armature assembly is constructed to provide a long trouble free life. The aluminum body with #10-32 ports has convenient through holes for panel mounting in a size to fit most applications.

Dimensional Data

ALL DIMENSIONS ARE IN INCHES UNLESS OTHERWISE NOTED



ORIFICE SIZE / VOLTAGE

FUNCTION		1.0 mm		1.5 mm	
		AC	DC	AC	DC
	2/2 NC	120	95	110	90
	2/2 NO	N/A	N/A	N/A	N/A
	3/2 NC	120	95	70	60
3/2 NO	120	95	80	70	

MAX. PRESSURE RANGE

Features

- Fast cycle times
- Compact size
- Low power consumption
- 2 orifice sizes available
- #10-32 ports
- DIN spade interface for quick connection
- 2 or 3-way 2-position
- All standard voltages



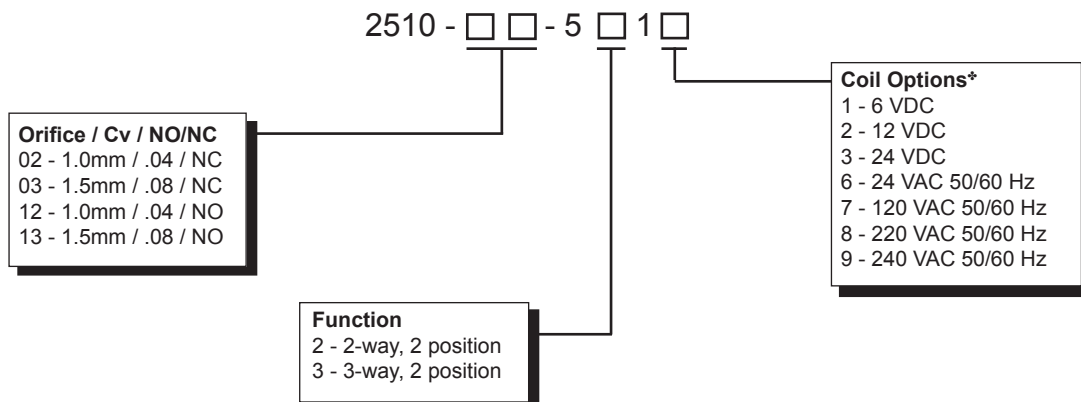
Series 2510

Sub Micro 2-Way & 3-Way
#10-32 Ported Solenoid Valves

Technical Data

- Function:** 2-way, 2-position and 3-way, 2-position, direct acting, normally closed or normally open
- Port Sizes:** #10-32 UNF
- Orifice Sizes/
Flow Factor:** 1.0mm / .04 Cv
1.5mm / .08 Cv
- Pressure Range:** Vacuum - 120 psi (1.0mm)
Vacuum - 60 psi (1.5mm) depending on orifice size and function
- Temp. Range:** (Fluid 90°C max.) Ambient - 10 to +50°C
- Response Time:** 18 ms complete cycle
- Materials:** Operator: 400 Series Stainless and Brass
Shading Ring: Copper
Springs: 300 Series Stainless Steel
Seals: Nitrile standard (other materials available on request)
Valve Body: Aluminum standard (other materials available on request)
Mounting Plate: Zinc-plated Steel
- Media:** Air, oil, inert gas, water
- Mounting:** .125" Diameter through holes for pan head screw (#4-40) or M3
- Coil Data:** Glass filled nylon encapsulation (Class F, continuous duty) DIN spades, 9.4mm centers or flying leads, 2.4 watt standard (other wattages on request)
Voltage: 6, 12, 24 VDC
24, 120, 220, 240 VAC 50/60 Hz
Voltage Tolerance: +/- 10%

How To Order



Order Example: 2510-03-5317
Series 2510, 1.5mm orifice, normally closed,
3-way, 2-position, 120 VAC 50/60 Hz

*For more coil options see page 7.