

# Series 2500

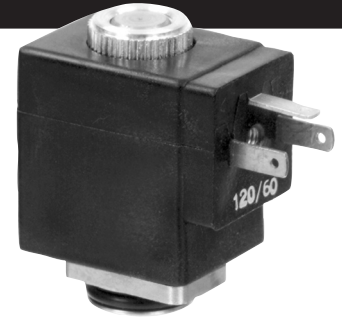
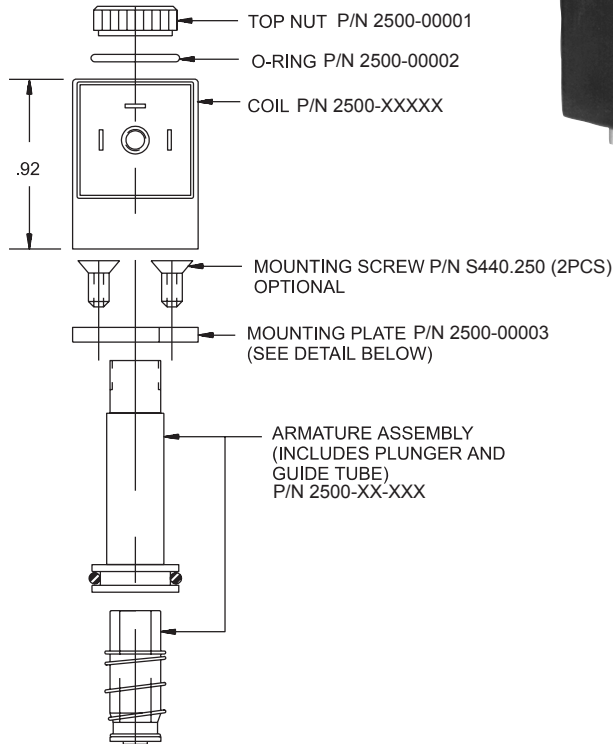
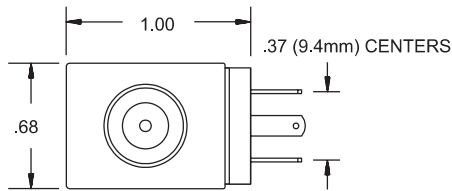
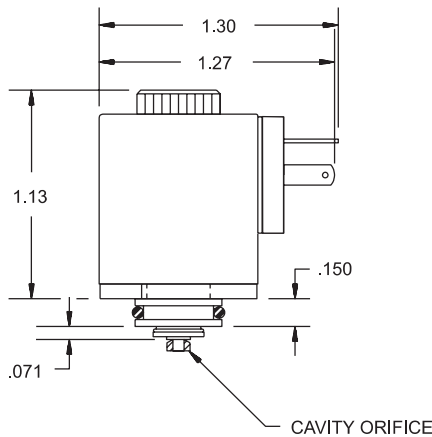
## Sub-Micro Solenoid Operator



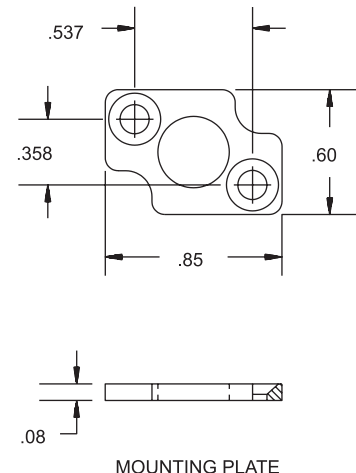
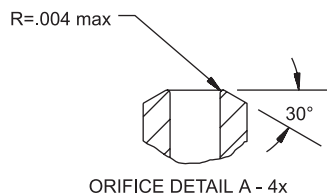
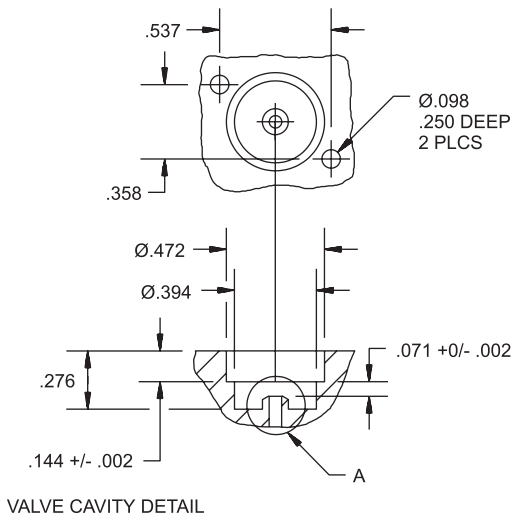
The Spartan Scientific Series 2500 Sub-Micro solenoid operators are designed for piloting 3 and 4-way directional control valves and pneumatic actuators. The plate-mount operators are interchangeable with most solenoids of comparable size. The nylon encapsulated coil has an operating temperature range of -30°C to +50°C and is rated to IP65 (IEC 144) with electrical connector. Shading ring is standard so that both AC and DC coils can be used on all armatures.

### Dimensional Data

ALL DIMENSIONS ARE IN INCHES UNLESS OTHERWISE NOTED



### Armature Cavity Details



# SPARTAN SCIENTIFIC

www.spartanscientific.com

P.O. Box 9792, Boardman, Ohio 44513  
(330) 758-8446 Fax: (330) 758-3314



# Series 2500

## Sub-Micro Solenoid Operator

### Technical Data

**Voltages:** 6, 12, 24 VDC  
24, 120, 220, 240 VAC 50/60 Hz

**Pressure Range:** Vacuum - 300 psi depending on orifice size and function

**Temp. Range:** (Fluid max. 90°C) Ambient -20° to +50° C

**Voltage Tolerance:** +/-10%

**Cycle Rate:** 18 ms

**Coil Construction:** Glass filled nylon encapsulation (Class F, continuous duty)

**Environment Protection:** Dust-tight and water resistant to IP65 (IEC 144) (with electrical connector)

**Wattage Available:** 2.4 Watt (other power ratings available on request)

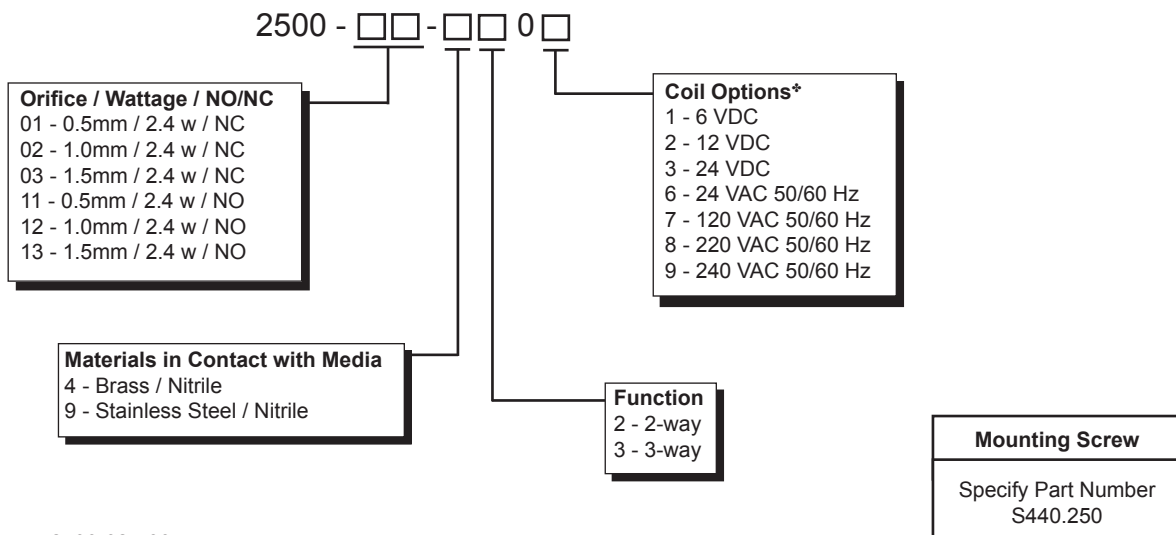
**Materials:** Operator: AISI 400 and Brass, or 300 Series Stainless Steel  
Shading Ring: Copper  
Seal: Nitrile standard (other materials available on request)  
Mounting Plate: Zinc-plated Steel

### ORIFICE SIZE / VOLTAGE

|          | 1.0 mm        |     | 1.5 mm |     |    |
|----------|---------------|-----|--------|-----|----|
|          | AC            | DC  | AC     | DC  |    |
| FUNCTION | <b>2/2 NC</b> | 120 | 95     | 110 | 90 |
|          | <b>2/2 NO</b> | 120 | 120    | 60  | 60 |
|          | <b>3/2 NC</b> | 120 | 95     | 70  | 60 |
|          | <b>3/2 NO</b> | 120 | 95     | 80  | 70 |

MAX. PRESSURE RANGE (psi)

### How To Order



Order Example: 2500-02-4307  
Series 2000, 1.0mm orifice, 2.4 w, normally closed, brass / nitrile, 3-way, 120 VAC 50/60 Hz

\*For more coil options see page 7.