



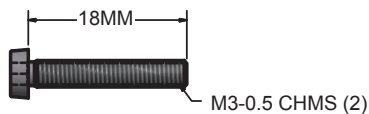
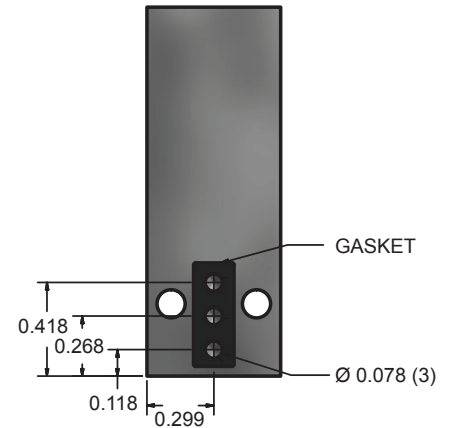
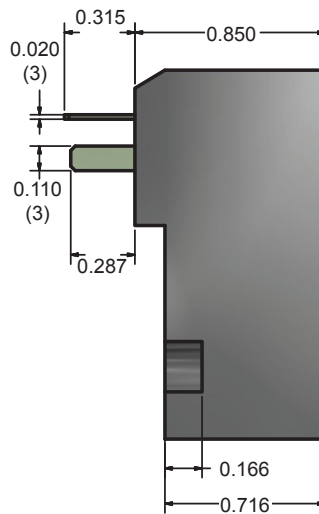
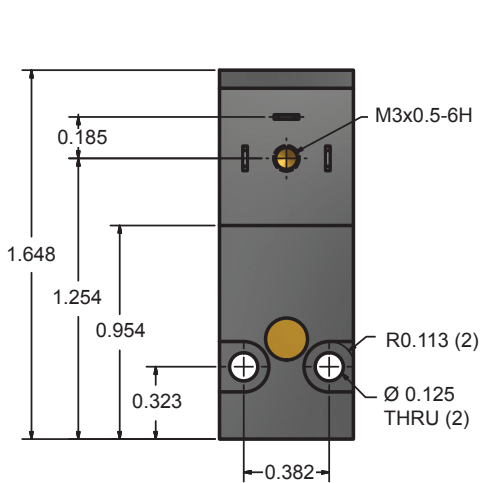
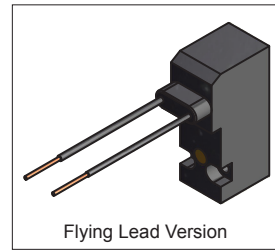
Series 1500

15mm Sub-Base Mount
Solenoid Operator

The Spartan Scientific Series 1500 is a 15 mm wide 2-way or 3-way, 2 position solenoid valve which features small size with large flow and consistent, repeatable function. Available in orifice sizes 0.8, 1.1 and 1.5 mm, the 1500 Series can flow up to a Cv of .04 and offers pressure range from 0 to 145 PSI in the 2.5 watt versions. The 9.4 mm electrical pin spacing is an industry standard. The valve body is made from durable thermoplastic and comes standard with a push non-locking manual override. Featuring an environment resistant IP 65 rating, the valve can withstand humid and dirty conditions. The 1500 Series features a captured exhaust port that is connected through the sub-base. Available in 12 or 24 VDC or 24, 110 and 220 VAC, the 1500 Series boasts power consumptions of 1 to 2.5 watts.

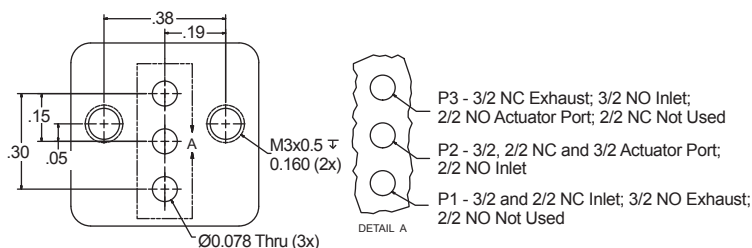
Dimensional Data

ALL DIMENSIONS ARE IN INCHES UNLESS OTHERWISE NOTED



NOTE: Gasket and mounting screws provided.

MOUNTING HOLE / PASSAGE PATTERN



Features

- All in one miniaturized design
- Captive (Body ported) exhaust port
- High flows up to .04 Cv available
- Low Wattage down to 1 Watt
- On board manual override is standard
- Flying leads or spaded connector
- Available in Normally Closed or Normally Open
- PC Board mountable
- High life cycle to 20 million cycles
- Low cost

SPARTAN SCIENTIFIC

www.spartanscientific.com

P.O. Box 9792, Boardman, Ohio 44513
(330) 758-8446 Fax: (330) 758-3314



Series 1500

15mm Sub-Base Mount
Solenoid Operator

Technical Data

Function: 2-way, 2 position and 3-way 2 position direct acting normally closed and normally open 3-ported body.

Orifice Size/ Flow Factor: 0.8mm / .02 Cv
1.1mm / .03 Cv
1.5mm / .04 Cv

Pressure Range: 0 to 145 psi depending on orifice size and function

Temp. Range: (Fluid +10C to +30C) Ambient +10C to +50C

Response Time: 10 to 15ms complete cycle

Materials: Operator: 300 and 400 Series SS
Shading Ring: Copper
Springs: 300 Series SS
Orifice Seals: Nitrile, FKM (Viton)
Valve Body: PPS
Gasket: Nitrile, FKM (Viton)
Manual Override: Brass
Mounting Screws: Zinc-plated steel

Media: Air, dried or lubricated

Manual Override: Push, non-lock (standard)

Mounting: 2, M3 x 0.5mm machine screws. 18mm long

Coil Data: Glass-filled nylon encapsulation (Class F, continuous duty)
DIN spades or flying lead 2.5 Watt standard. 1 Watt coil available for specific functions (see table)
Voltage: 12 and 24 VDC. 24, 110 and 220 VAC 50/60Hz
Voltage tolerance: +/-10% nominal

PERFORMANCE DATA TABLE						
Function	Orifice mm (port 1)	Orifice mm (port 3)	Pressure psi		Power	
			MIN	MAX	W DC	VA AC
3/2 NC	0.8	1	0	115	1	3
3/2 NC	1.1	1.5	0	145	2.5	3
3/2 NC	1.5	1.5	0	85	2.5	3
2/2 NC	0.8	-	0	115	1	3
2/2 NC	1.1	-	0	145	2.5	3
2/2 NC	1.5	-	0	85	2.5	3
3/2 NO	1.0	1.1	0	100	2.5	3
3/2 NO	1.5	1.5	0	50	2.5	3
2/2 NO	1.0	-	0	145	2.5	3
2/2 NO	1.5	-	0	145	2.5	3



Consult factory for available versions recognized under the Component Program of Underwriters Laboratories, Inc.



How To Order

