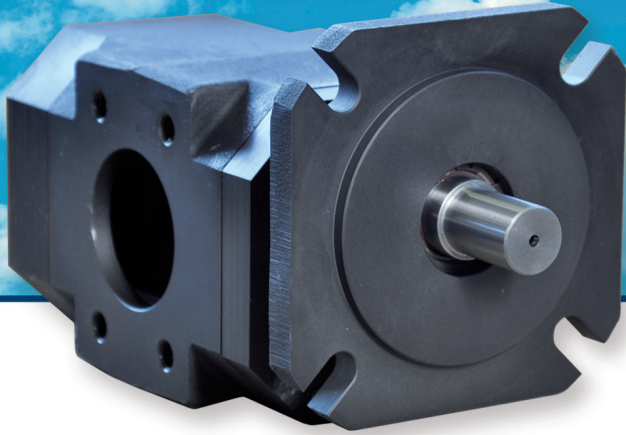


**GO SILENTLY  
SAVING ENERGY**



**ENERGY**



**WIND**

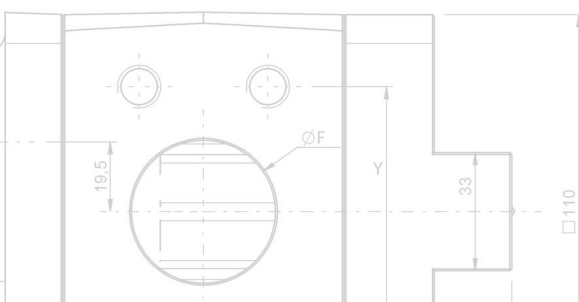
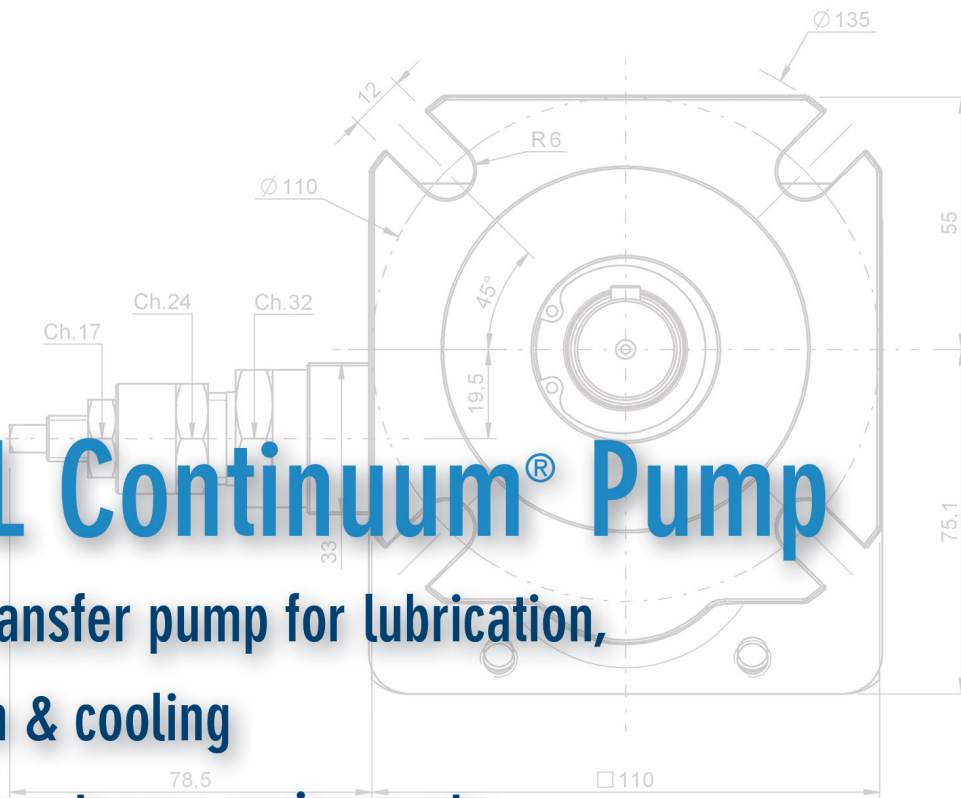


**INDUSTRIAL**

# 2VHL Continuum<sup>®</sup> Pump

Silent transfer pump for lubrication,  
filtration & cooling

Ideal for extreme environments



## 2VHL Continuum® Pumps

**2VHL Continuum® Pumps** are transfer pumps designed to handle a wide variety of fluids, with no operating noise. In few words transport and silence.

The rotors of **2VHL Continuum® pump** have been designed using the well known Continuum helical rotors, which are a byword for silence, energy consumption reduction and high performance.

The Continuum® concept, heart of **2VHL Continuum® pump**, is based on three patented technological innovations:

- The rotors profile
- The screw step
- The inner force balancing

Three innovations that applied to the most advanced design and manufacturing capability of Settima, drive to a final results of a sustainable fluid power:

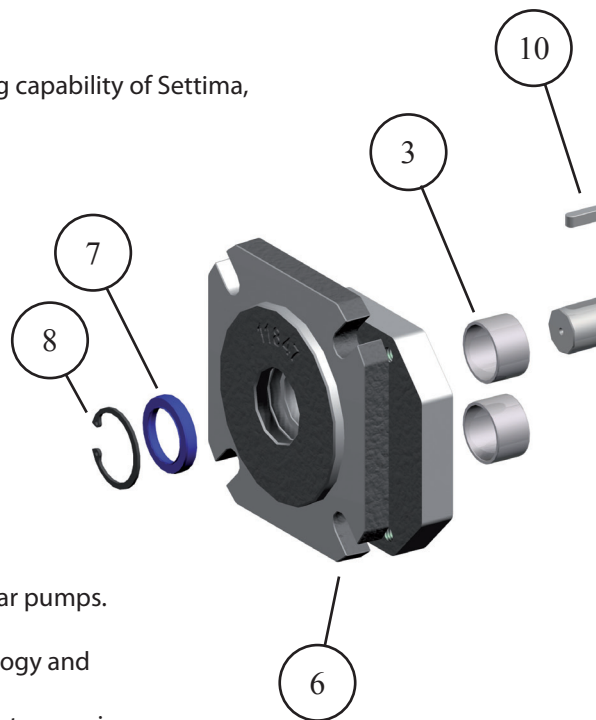
- Smooth changes in pressure growth
- High efficiency
- No noise
- Energy consumption reduction

The standard housing sections of **2VHL Continuum® pump** are made of grey cast iron, the helical rotors are manufactured with high strength hardened steel, located in a multi compound plain bearing bushes.

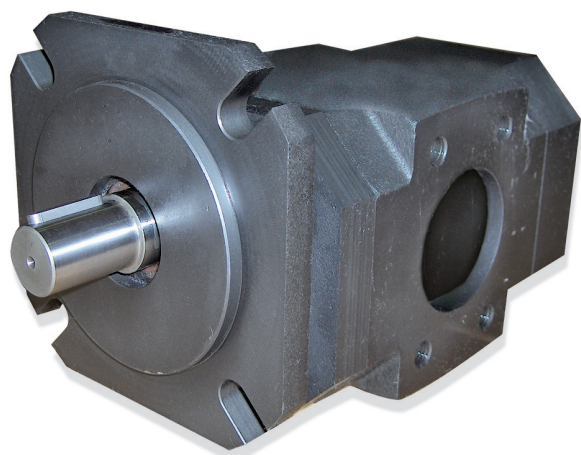
Drive shaft is sealed by rotary shaft lip-type sealing.

**2VHL Continuum® pumps** are suitable for fluids with medium to high viscosity. **2VHL Continuum® Pump** dimensions and flanges are similar to the standard gear pumps.

The specific configuration of **2VHL Continuum® pump**, the high level of technology and the material used are the perfect combination for the last generation wind mills industry. **2VHL Continuum® pump** means a long life as the wind mills industry requires.



## Applications



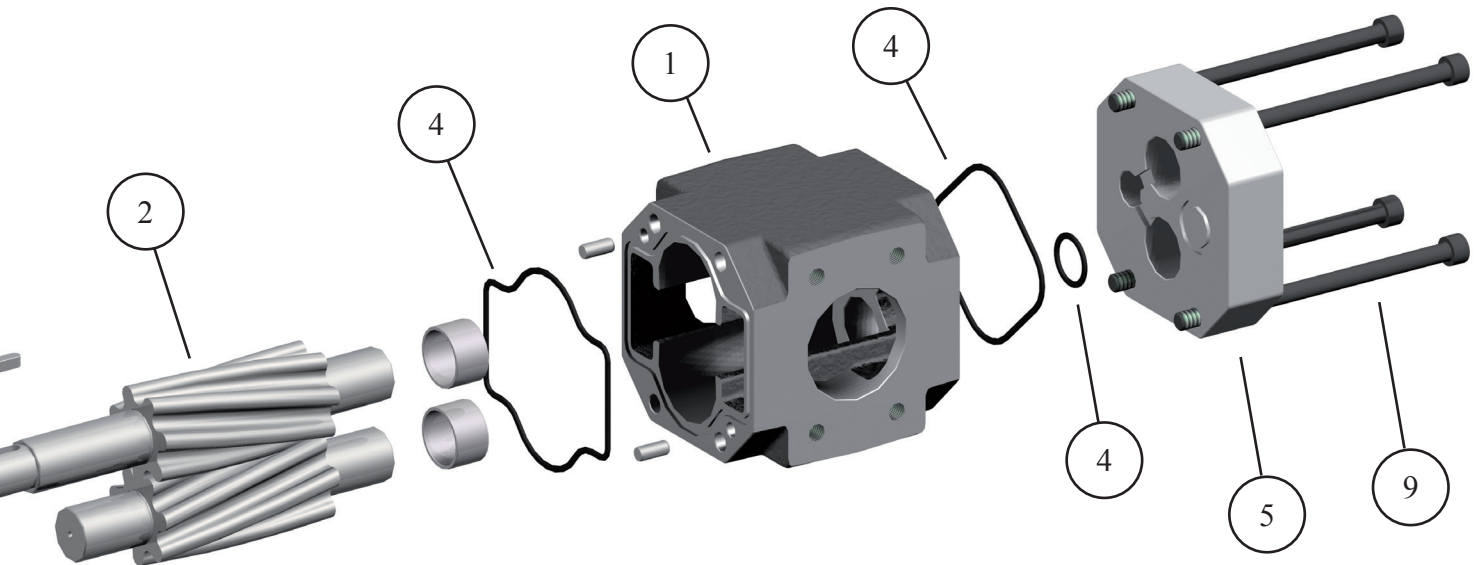
### APPLICATIONS

- Lubrication
- Turbine and compressors (gear boxes, transmissions, bearings, shafts)
- Filtration
- Cooling
- Recycle

### FLOW MEDIA

- Hydraulic fluids (mineral and synthetic)
- Thermal oils
- Emulsions
- Polyglycol oil
- Heavy oil
- Other fluids upon req

## Product Description



### Index

N°	Description	Material
1	Body	GJL 250*
2	Gears	Steel
3	Bushing DU	Steel
4	O Ring	NBR/FKM (FPM/EPDM)*
5	End cover	GJL 250*
6	Front cover	GJL 250*
7	Lip seal	NBR/FKM (FPM/EPDM)*
8	Circlip	Steel
9	Screws	Steel
10	Shaft key	Steel

\* others available upon request

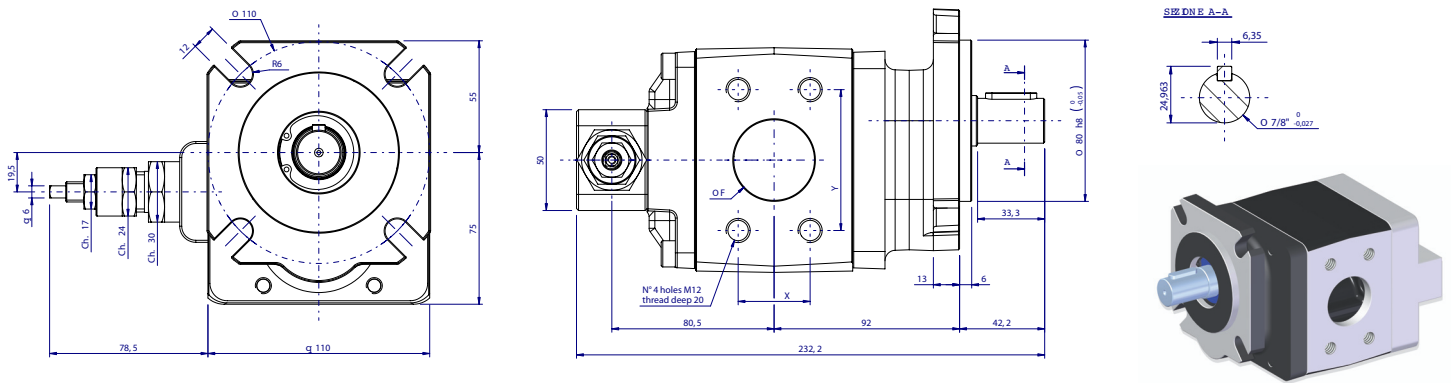
### Standard performances

Characteristics	Unit	Minimum	Maximum
Gas content (undissolved)	Vol. %	-	10
Level of contamination	ISO4406	-	21/19/17
Kinematic viscosity	mm <sup>2</sup> /s	7	100.000*
Temperature (NBR seals)	°C	-25	80
Temperature (FPM seals)	°C	-25	150
Acoustic emissions	db(A)	52 @ 1500 rpm	63 @ 2950 rpm
Pressure	bar	-	25 (peak: 40)

Above are listed the standard performances, whenever it's necessary to overtake those standards please contact **Settima**

\* For viscosity level over 15.000 mm<sup>2</sup>/s please contact **Settima**

# GR 47 - Dimensional drawing

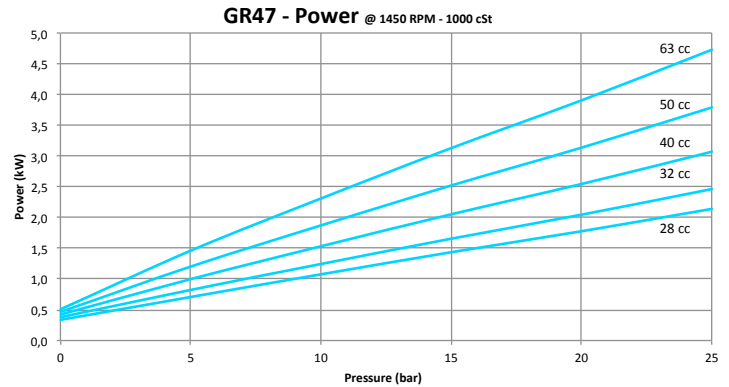
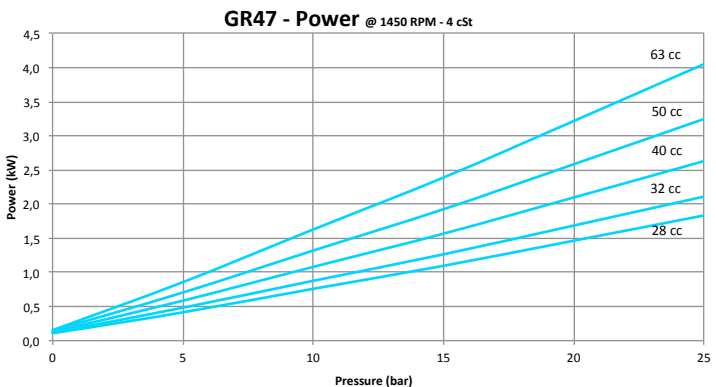
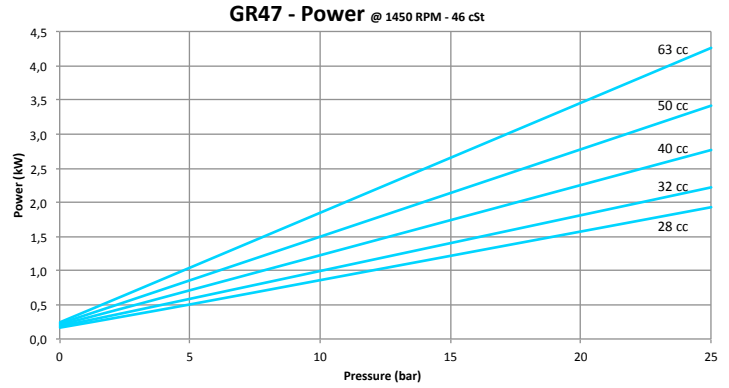
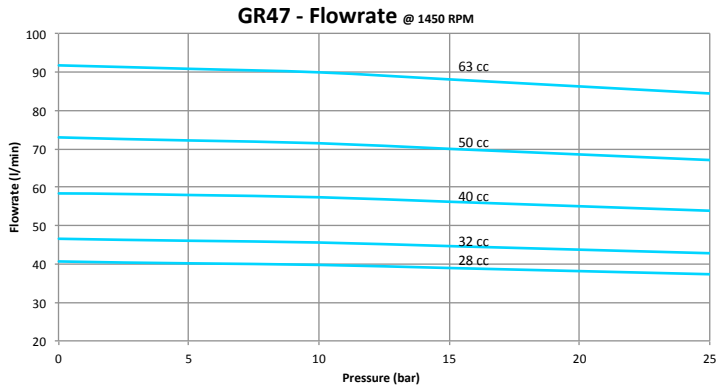


## Details

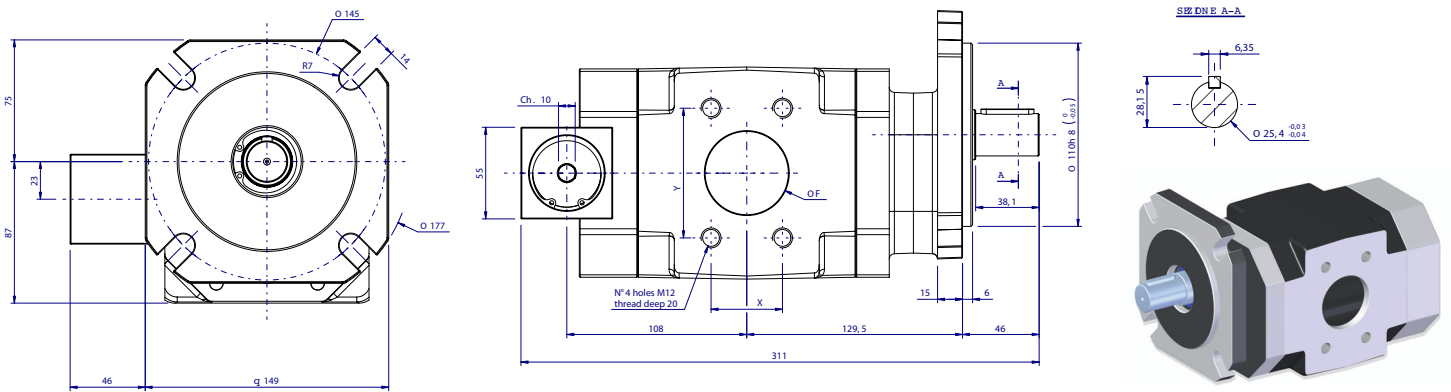
Nominal displacement [cm <sup>3</sup> ]	Description	ØF [mm]	X [mm]	Y [mm]	Weight [kg]
28	SAE 1 1/2"	40	35,70	69,85	9,5
32	SAE 1 1/2"	40	35,70	69,85	
40	SAE 1 1/2"	40	35,70	69,85	
50	SAE 2"	50	42,90	77,80	
63	SAE 2"	50	42,90	77,80	

## Performance

In case of deviation of the fluid kinematic viscosity from the value reported in the below graphic (46 mm<sup>2</sup>/s), the flow rate can also deviate but with minimum values.



# GR 55 - Dimensional drawing

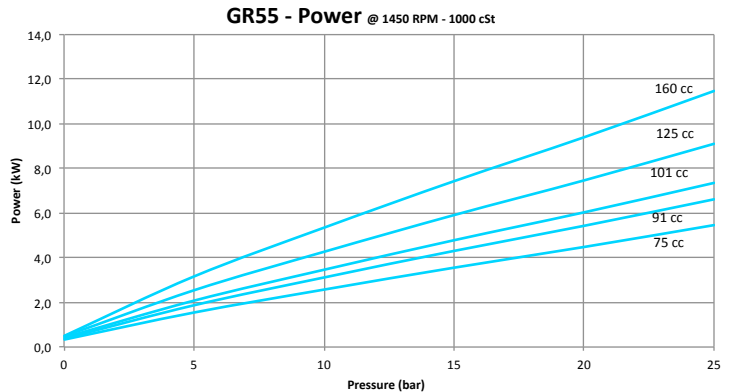
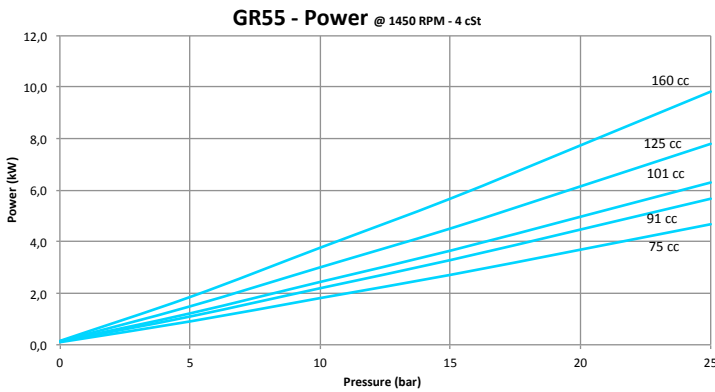
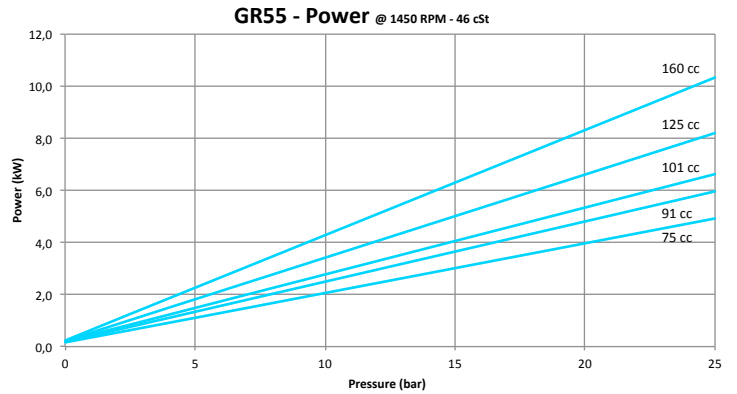
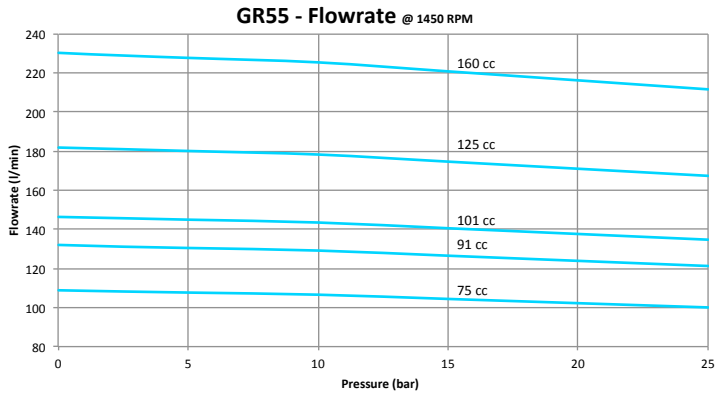


## Details

Nominal displacement [cm <sup>3</sup> ]	Description	ØF [mm]	X [mm]	Y [mm]	Weight [kg]
75	SAE 2"	50	42,90	77,80	19
91	SAE 2"	50	42,90	77,80	
101	SAE 2"	50	42,90	77,80	
125	SAE 2 1/2"	63	50,80	88,90	
160	SAE 2 1/2"	63	50,80	88,90	

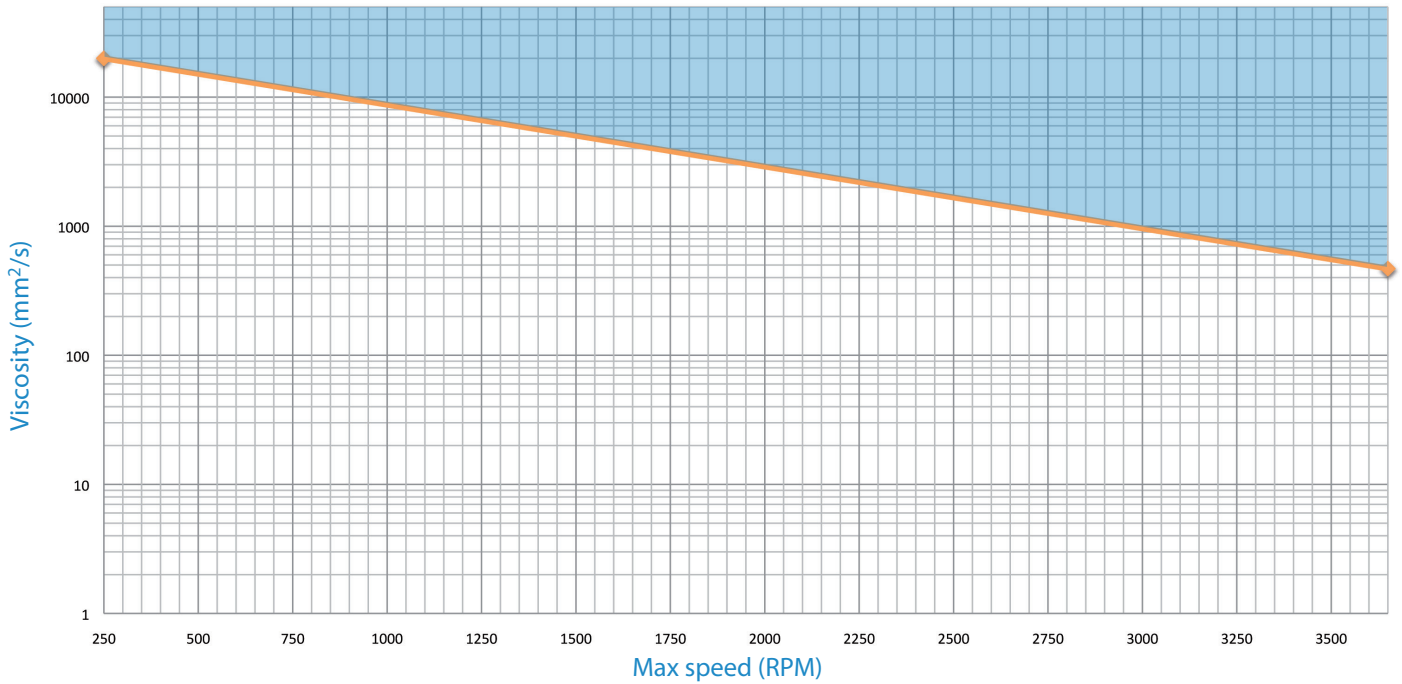
## Performance

In case of deviation of the fluid kinematic viscosity from the value reported in the below graphic (46 mm<sup>2</sup>/s), the flow rate can also deviate but with minimum values.



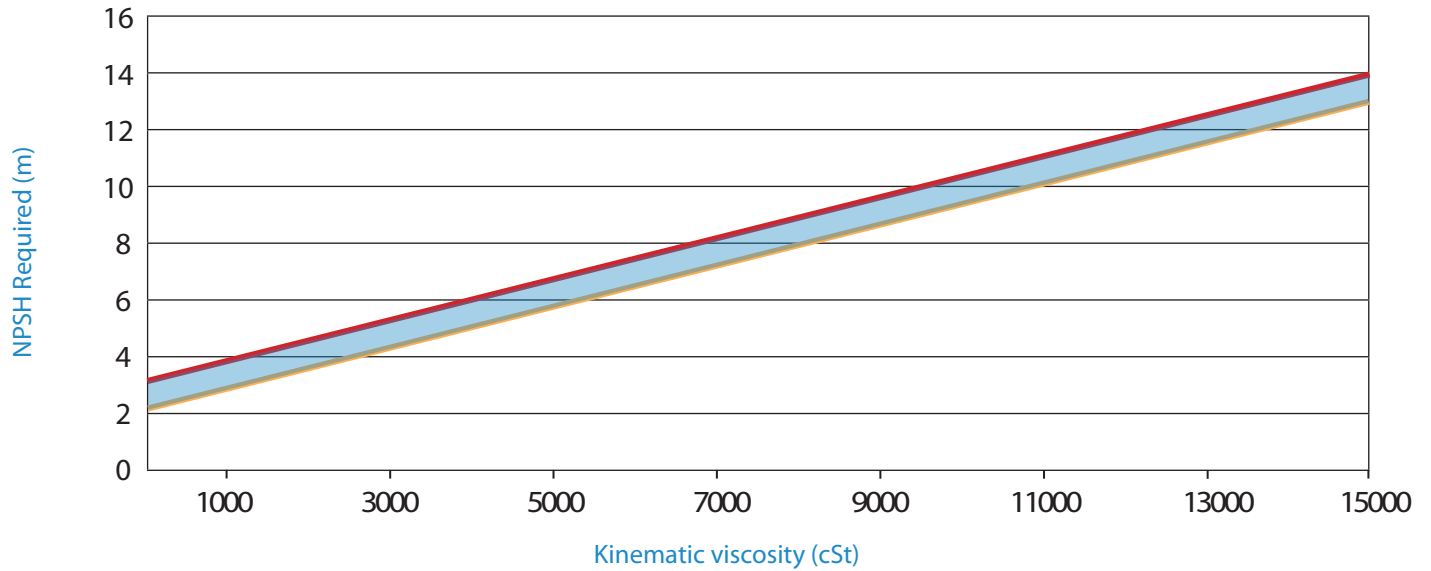
## Speed Range of GR47 - GR55

RPM limit



The graph is referred to the average performances of all 2VHL series. For more information please contact Settima.

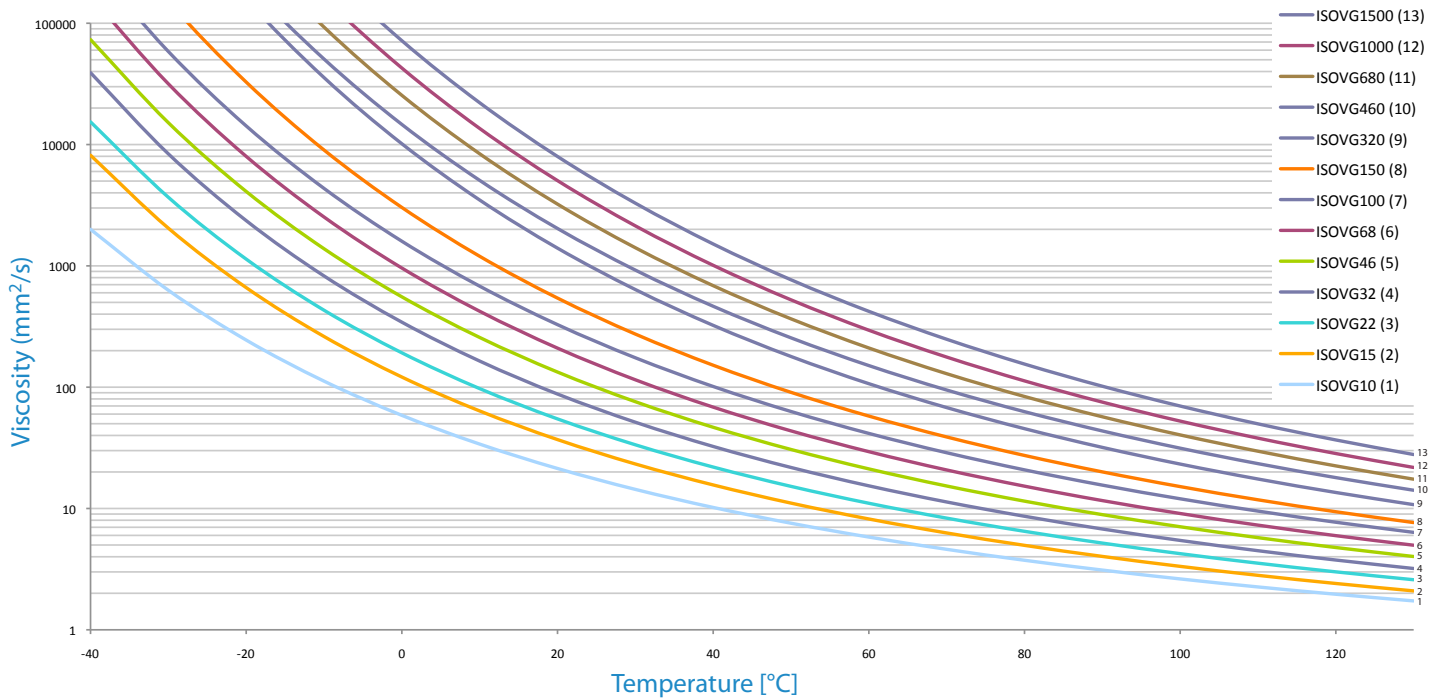
### NPSH Required



The graph is referred to the average performances of all 2VHL series. For more information please contact Settima.

# Lubricants

Lubricants (DIN51519)



## Product range - Ordering code of GR47 - GR55

To order Settima 2VHL Continuum® Pump, follow the below tables

Type	Class	Nominal CC	Flange & shaft	Ports	Seals	Rotation	Ext. adjustable safety valve	Corrosion & preservation
GR47	2VHL	28	F80IAC	M	STANDARD NBR --> none	STANDARD DX clockwise	STANDARD none	STANDARD Phosphating --> none
		32						
		40						
		50						
		63						

Type	Class	Nominal CC	Flange & shaft	Ports	Seals	Rotation	Ext. adjustable safety valve	Corrosion & preservation
GR55	2VHL	75	F110EAC	M	STANDARD NBR --> none	STANDARD DX clockwise	STANDARD none	STANDARD Phosphating --> none
		91						
		101						
		125						
		160						

[www.comoso.com](http://www.comoso.com)

**SETTIMA**

**Settima, Italy**

Headquarter, r&d and production

**SETTIMA**

USA  
Warehouse

**SETTIMA**

Shanghai, China  
Warehouse

**Settima Meccanica Srl**

Settima - 29020 Piacenza (Italia)

tel. +39 0523.557623

fax +39 0523.557256

[www.settima.it](http://www.settima.it)

[info@settima.it](mailto:info@settima.it)

**Settima Flow Mechanisms**

Settima - 29020 Piacenza (Italia)

tel. +39 0523.557623

fax +39 0523.557256

[www.settima.it](http://www.settima.it)

[info@settimafm.com](mailto:info@settimafm.com)

 **SETTIMA MECCANICA**

Area Agency/Reseller

**SETTIMA**   
*flow mechanisms*