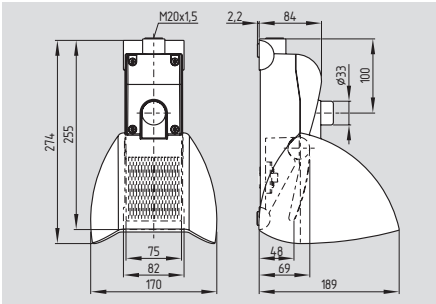
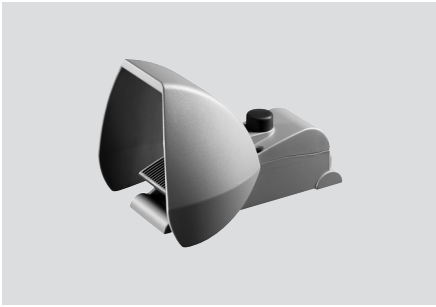


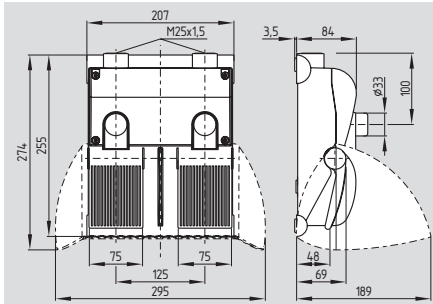
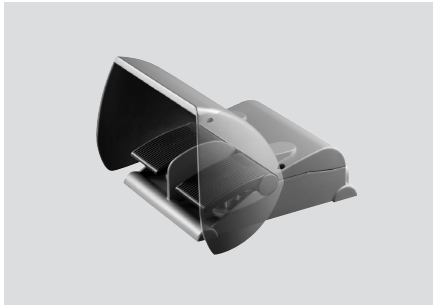
Safety foot switches

TFH 232-..UEDR



- Safety-related function with overlapping contacts, pressure point and latching
- 2 or 4 contacts
- Metal enclosure
- Protective shield with wide opening
- Low pedal height
- High level of stability
- Cable entry M20

T2FH 232-..UEDR



- 4, 6 or 8 contacts
- 2 cable entries M25

Technical data

Standards: IEC/EN 60947-5-1
DIN VDE 0660-200
BG-GS-ET-15

Material of the enclosure, cover and protective shield: aluminum die-cast
Housing coating: powder-coated
Material of the pedal: glass fiber reinforced thermoplastic

Mechanical data

Design of electrical connection: screw terminals
- Max. cable section: max. 2.5 mm² (incl. conductor ferrules)

Cable entry: 1-pedal: 1 x M20
2-pedal: 2 x M25

Mechanical life: > 1 million operations
Switching frequency: max. 1 / s
Resistance to shock: 30 g / 11 ms
Resistance to vibration: 10 ... 150 Hz (0.35 mm / 5 g)

Ambient conditions

Ambient temperature: -25 °C...+60 °C
Storage and transport temp.: -25 °C...+85 °C
Relative humidity: 30% ... 95%
- non-condensing
- non-icing

Protection class: IP65 to IEC/EN 60529
Overvoltage category: III
Degree of pollution: 3

Electrical data

Design of the switching element: NC, NO
Switching principle: slow action
Rated impulse withstand voltage U_{imp}: 800 V
Rated insulation voltage U_i: 32 VDC
Thermal test current I_{the}: 10 A
Utilization category: DC-13: 24 V / 1 A
AC-15: 230 V / 4 A

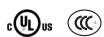
Required rated short-circuit current: 1000 A
Max. fuse rating: 6 A gG D-Sicherung
Dimensions: 1-pedal: 170 x 189 x 274 mm;
2-pedal: 295 x 189 x 274 mm

Safety classification

Standards: EN ISO 13849-1
B_{10d} (NC contact): 100,000
Service life: 20 years

$$MTTF_d = \frac{B_{10d}}{0,1 \times n_{op}} \quad n_{op} = \frac{d_{op} \times h_{op} \times 3600 \text{ s/h}}{t_{cycle}}$$

Approvals



Approvals



Ordering details

TFH 232-①

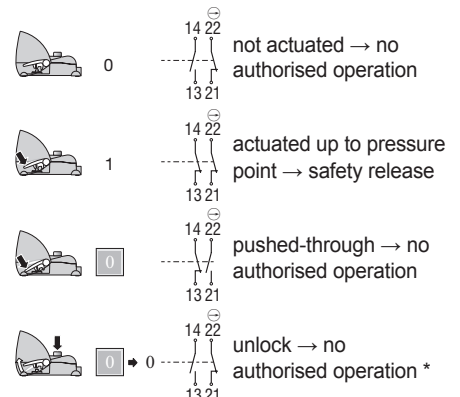
No.	Replace	Description
①	11UEDR 22UEDR	1 NO/1 NC contact 2 NO/2 NC contact

Ordering details

T2FH 232-①

No.	Replace	Description
①	11UEDR/11UEDR 22UEDR/22UEDR 11/22UEDR 22UEDR/11	2 NO/2 NC contact 4 NO/4 NC contact 3 NO/3 NC contact 3 NO/3 NC contact

Mode of operation -UEDR



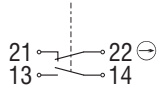
Safety foot switches

Contact variants

1-pedal

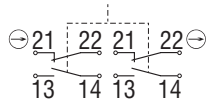
1 NO / 1 NC

(TFH 232-11UEDR)



2 NO / 2 NC

(TFH 232-22UEDR)

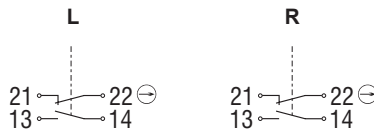


Contact variants

2-pedal

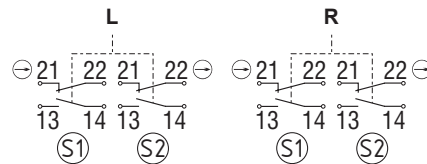
2 NO / 2 NC

(T2FH 232-11UEDR/11UEDR)



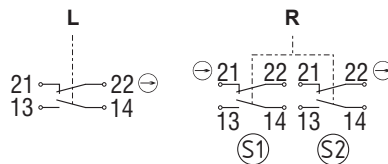
4 NO / 4 NC

(T2FH 232-22UEDR/22UEDR)



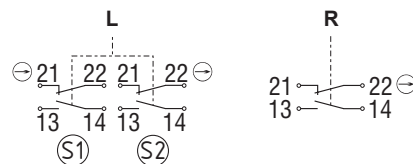
3 NO / 3 NC

(T2FH 232-11/22UEDR)



3 NO / 3 NC

(T2FH 232-22UEDR/11)



Legend

- ⊖ positive break NC contact
- L left pedal
- R right pedal

Note

The non-safety-related pedal of the 2-pedal safety foot switch does not have the overlapping and latching functions.