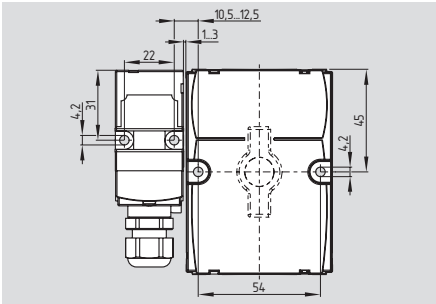


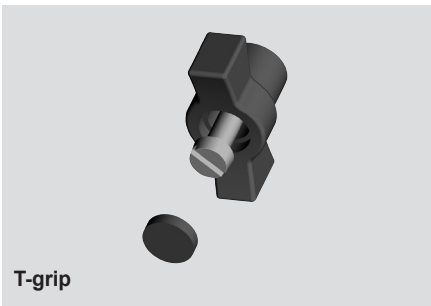
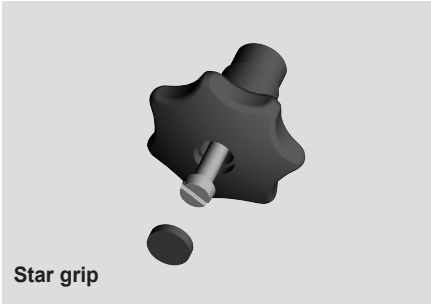
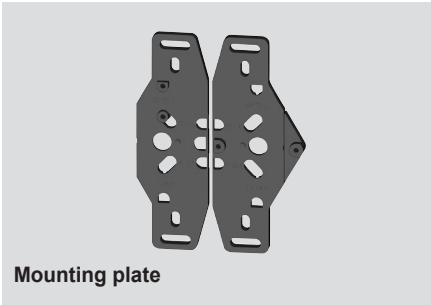
Safety switch with separate actuator

Actuator AZ 17-B25



- Door-handle actuator for safety switches with separate actuator AZ 17-...ZRK (latching)
- Ergonomic operation
- No supplementary door-handle required
- No protruding actuator
- Simple mounting
- Several door-handles available
- Possibility to mount custom handles using a default square screw (8mm)
- Mounting plate for fitting to standard profiles optionally available

System components



Note

The safety switch or solenoid interlock is not included in delivery and must be ordered separately.

Please note that you need a device with latching (R).

The technical data of the AZ 17-...ZRK safety switch can be found in this main catalog page 1-2 or in the online catalog at www.usa.schmersal.net

Approvals



Ordering details

AZ 17-B25-①-②

No.	Option	Description
①	L	Door hinge left
	R	Door hinge right (View directed towards the inside of the hazardous area)
②	G0	Actuator without handle
	G1	Star grip
	G2	T-grip

Ordering details

Mounting plate	MP AZ 17/170-B25
Star grip	G1
T-grip	G2