

Datasheet - BN 85-5-2031

Magnetic reed switch / BN 85-5



Preferred typ



- Enclosure with mounting slots
- Non-contact principle
- Actuation from front
- 5 reed contacts
- Long life
- LED switching conditions display
- connector
- Thermoplastic enclosure
- Reed-contact to clip-in, on-location assembly

(Minor differences between the printed image and the original product may exist!)


Ordering details

Product type description	BN 85-5-2031
Article number	101118378
EAN code	4030661050058

Approval

Approval	-
----------	---

Global Properties

Product name	BN 85-5
Standards	-
Compliance with the Directives (Y/N) 	Yes
suitable for elevators (Y/N)	Yes
Mounting	Enclosure with mounting slots
Active principle	Magnetic drive
Materials	
- Material of the housings	Plastic, glass-fibre reinforced thermoplastic
Housing construction form	rectangular
Weight	106 g
Recommended actuator	BP 7
- Lift switchgear	BP 7

Mechanical data

Design of electrical connection	connector, 10-pole
Mechanical life	1.000.000.e+9 operations
Electrical lifetime	500.000.000 operations
Actuating planes	front side
Switch distance S_n	1 mm ... 14 mm
- notice	The specifications with regard to the switching distances apply to the actuation of the individually mounted devices without ferromagnetic influence. Any change of the distance, positive either negative, is possible due to ferromagnetic interference. When multiple actuating magnets are used, the mutual interference must be observed.
Type of actuation	Magnet
restistance to shock	60 g, on sine wave oscillation
Latching (Y/N)	Yes

Ambient conditions

Ambient temperature	
- Min. environmental temperature	-10 °C
- Max. environmental temperature	+75 °C
Protection class	IP30 to IEC/EN 60529

Electrical data

Design of control element	bistable contact
Number of snap-in contacts	1...5
Switching time - Close	max. 2 ms
Switching time - Open	max. 0,07 ms
Dielectric strength	400 VDC
Switching voltage	12...60 VDC
Switching current	max. 1 A
Switching capacity	max. 30 W

Outputs

Design of control output	Reed kontakts
--------------------------	---------------

LED switching conditions display

LED switching conditions display (Y/N)	Yes
--	-----

ATEX

Explosion protection categories for gases	None
Explosion protected category for dusts	None

Dimensions

Dimensions of the sensor	
- Width of sensor	65 mm
- Height of sensor	20 mm
- Length of sensor	140 mm

notice

The opening and closing functions depend on the direction of actuation, the actuating magnets and the polarity of the actuating magnets.

Included in delivery

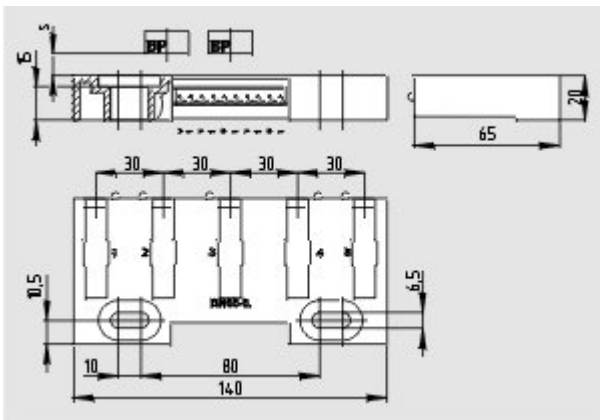
Actuators must be ordered separately.

Documents

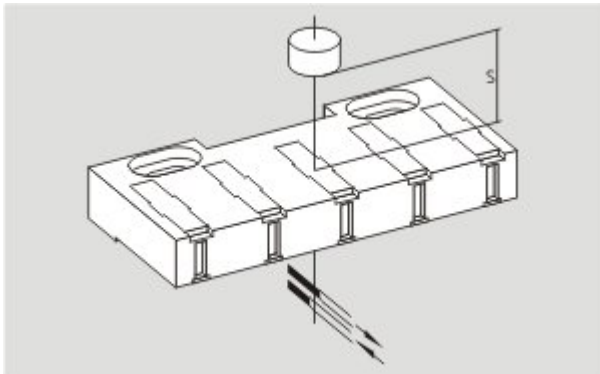
Mounting and wiring instructions (de, en, fr) 186 kB, 06.02.2007

Code: m_n85p01

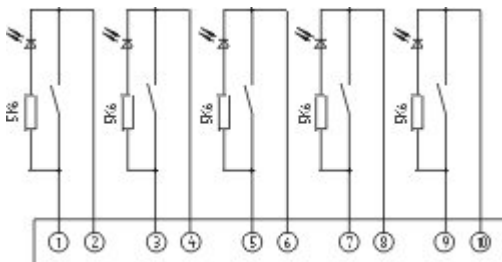
Images



Dimensional drawing (basic component)



Dimensional drawing (miscellaneous)



Diagram

