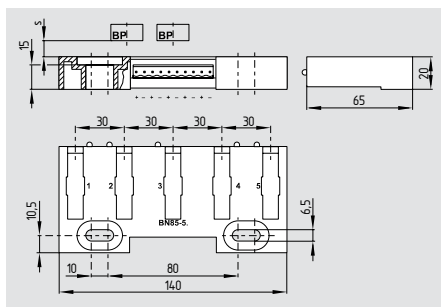


Magnetic reed switches

BN 85-5



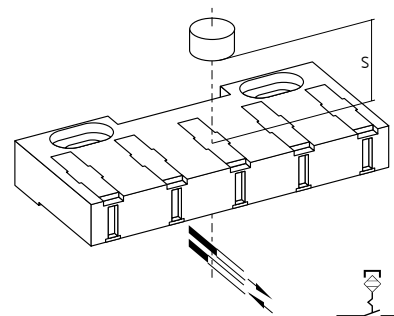
- Thermoplastic enclosure
- Square design
- Slotted mounting holes
- Front actuation
- Actuation surface and direction of actuation marked by switch symbol
- Bistable contact
- 5 LED for indicating the switching condition
- 5 reed contacts to clip on
- Without bias magnet
- Area signal
- BP 7 actuating magnet required
- Reciprocal switch function through rotating the individual switching elements by 180°
- Unused plugs can be filled with blank elements
- With 10-pole plug-in connection
- Includes 5 BN 85 units in one enclosure

Technical data

Standards:	IEC/EN 60947-5-2
Design:	square
Enclosure:	glass-fibre reinforced thermoplastic
Protection class:	IP 30 to EN 60529
Termination:	Plug-in connector, 10-pole magnetic
Operating principle:	magnetic
Switch status indicator:	LED
Actuating magnet:	BP 7
Switching voltage:	12 ... 60 VDC
Switching current:	max. 1 A
Switching capacity:	max. 30 W
Dielectric strength:	400 VDC
Switching time "closing":	max. 2 ms
Switching time "opening":	max. 0.07 ms
Ambient temperature:	- 10 °C ... + 75 °C
Mechanical life:	1 billion operations
Electrical life:	500 million operations, depending on load
Resistance to shocks:	60 g sinusoidal oscillation
Switching distances:	min. 1 mm max. 14 mm

Contact variants

1 bistable contact



With mounting on ferromagnetic material:

Average max. switching distance s:	14 mm
max. switching distance under unfavourable conditions s_{max} :	11 mm
min. switching distance s_{min} :	1 mm
effective switching distance s_{nenn} :	6 mm

With mounting on non-ferromagnetic material (e.g. plastic rails):

Switching distance s:	0 ... 9 mm
Effective switching distance s_{nenn} :	5 mm

Approvals



Ordering data

BN 85-5-①

N°	Insert	Description
①		LED on, when the contact is opened (individual connection)
	2031	LED on, when the contact is closed (p-type, common voltage supply)

Notice

Included in delivery:

- 2 Blank inserts
- Unit without switch inserts

1-5 suitable BN 85-re switch inserts must be ordered separately!

Notice

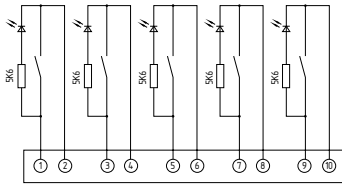
The NC or NO function depends on the direction of actuation and the polarity of the actuating magnet.

The BP 7 actuating magnet is not included in delivery (see page 2-40).

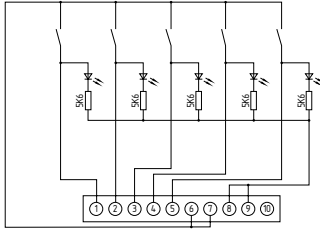
Magnetic reed switches

Contact variants

BN 85-5



BN 85-5-2031



Connector plugs must be ordered separately from the manufacturer.

- Weidmüller: socket strip BL 5.08/10 SN OR, **ordering number 1113130**
- Phoenix-Contact: MSTB 2,5 HC/10-ST-5,08, **ordering number 1757093**
- Other manufacturers