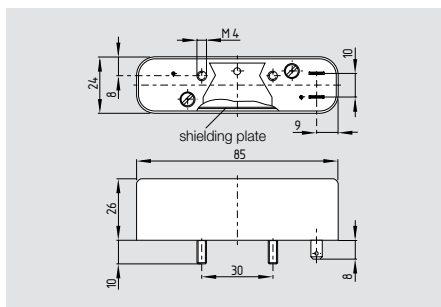


Magnetic reed switches

BN 325



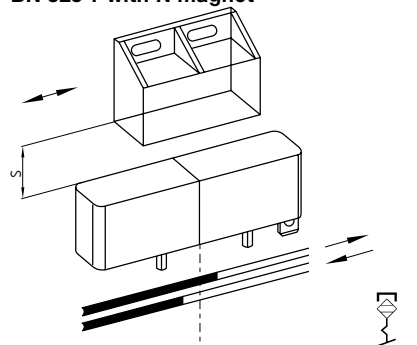
- Thermoplastic enclosure
- Flat design
- Mounting with 2 threaded bolts
- Lateral actuation
- Actuation surface and direction of actuation marked by switch symbol
- Contact: bistable contact
- 1 reed contact
- Selection of actuating magnets available
- With pre-wired cable, cable length 1 m
- other cable lengths or spade connectors available upon request
- LED indicating the switching condition, suffix "G"

Technical data

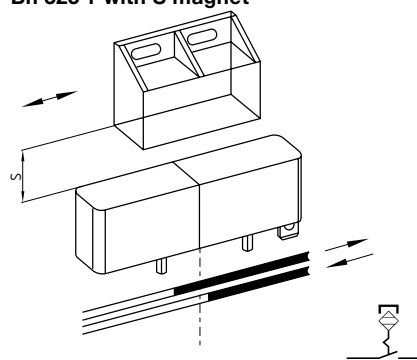
Standards: IEC/EN 60947-5-2
 Design: square
 Enclosure: glass-fibre reinforced thermoplastic
 Protection class: IP 00
 IP 40 with insulated plug
 IP 67 with cable outlet and additional shielding plate (ordering suffix -1279 and -1297-2) to EN 60529
 Termination: spade connector 4.8 mm (ordering suffix -1239)
 spade connector 6.3 mm (ordering suffix -1389)
 cable outlet (ordering suffix -1279 and -1279-2)
 Operating principle: magnetic
 Switching voltage: max. 250 VAC
 Switching current: max. 3 A
 Switching capacity: max. 120 VA
 Dielectric strength: > 600 VAC (50 Hz)
 Schaltgeschwindigkeit: max. 18 m/s
 Switching frequency: < 300 Hz
 Switching time "closing": max. 1.5 ms
 Switching time "opening": max. 0.5 ms
 Bounce time: 0.3 ... 0.6 ms
 Ambient temperature: - 25 °C ... + 75 °C
 Mechanical life: 1 billion operations
 Electrical life: 1 million - 1 billion operations, depending on load
 Resistance to shocks: 50 g / 11 ms
 Resistance to vibrations: 10 ... 55 Hz, amplitude 1 mm
 Repeatability: ± 0,25 mm, T = constant
 Switching distances: min. 0 mm
 max. 25 mm

Contact variants

1 bistable contact BN 325-r with N magnet



1 bistable contact Bn 325-r with S magnet



s: Switching distance

Approvals

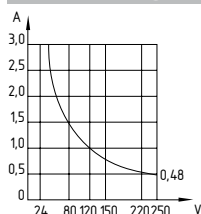


Ordering data

BN 325-r-①

N°	Insert	Description
①		Spade connector 4,8 mm and 1 additional shielding plate
1239		Spade connector 4,8 mm and 2 additional shielding plates
1389		Spade connector 6,3 mm and 2 additional shielding plates
1279		Cable outlet left and 2 additional shielding plates
1279-2		Cable outlet right and 2 additional shielding plates
G-1279		Cable outlet left and 2 additional shielding plates and LED

Switching capacity



The actuating magnets are not included in delivery.

For the selection of the actuating magnets, see table on page 2-40.

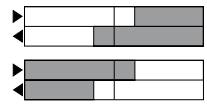
Notice

The NC and NO function depends on the direction of actuation and the polarity of the actuating magnet.

The switches are to be mounted on iron with a non-magnetic layer of at least 20 mm.

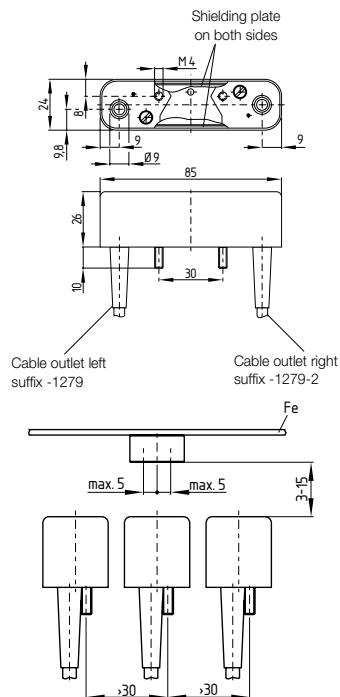
Magnetic reed switches

Actuating magnets

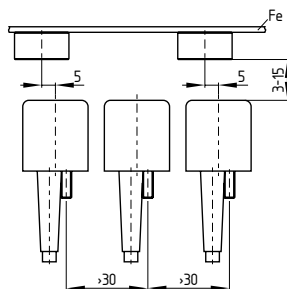
Part number	BN 325-rz	
Switch travel		N S
Contacts	1 bistable contact	
Actuation type	S or N	
Actuating magnet	Actuating distance [mm] s min. – max.	
non-encapsulated		
BP 10	0 - 10	
2 x BP 10	0 - 15	
2 x BP 15/2	0 - 17	
plastic encapsulated		
BP 15	0 - 12	
BP 34	10 - 25	

If the magnet is installed onto a metal plate, the switching distance increases..

System variants



Max. switching distance with misalignment of the actuating magnet



Misalignment of two magnets without affecting the centre switch. Version represented with 2 shielding plates