

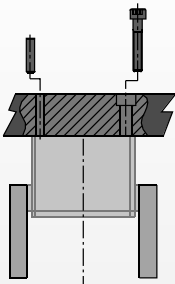
# Parallel Grippers - Double Wedge Series



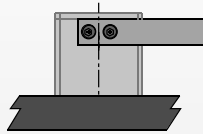
- Machining applications:**  
 Sealed design repels chips and other particulate from internal drive mechanism.
- General purpose:**  
 This style gripper is the most widely used in the industry. It is a rugged design and supplies very high grip forces for its size.
- Part pressing:**  
 Hardened steel bottom plate provides a solid surface for part pressing.

## Mounting Information:

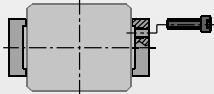
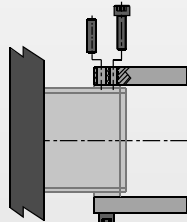
Grippers can be mounted & operated in any orientation



Body mounts with screws and locates with slip fit dowel pins for accuracy



Unit can be mounted and operated upside down



Fingers attach to jaws with screws and locate by keying or dowel pins

## Technical Specifications:

<b>Pneumatic Specifications</b>	<b>Imperial</b>	<b>Metric</b>
Pressure Operating Range	40-100 psi	3-7 bar
Cylinder Type	Double Acting	
Dynamic Seals	Internally Lubricated Buna-N	
Valve Required to Operate	4-way, 2-position	
<b>Air Quality Requirements</b>	40 Micron or Better	
Air Filtration	Not Necessary*	
Air Lubrication	Low Moisture Content (dry)	
Air Humidity		
<b>Temperature Operating Range</b>		
Buna-N Seals (standard)	-30°~180° F	-35°~80° C
Viton® Seals (optional)	-20°~300° F	-30°~150° C
<b>Maintenance Specifications †</b>		
Expected Life		
Normal Application		5 million cycles
w/ Preventative Maintenance		10+ million cycles*
Field Repairable		Yes
Seal Repair Kits Available		Yes

\*Addition of lubrication will greatly increase service life  
 † See Maintenance Section

## Product Features

**Accessory Mounting Holes**  
(Mounts sensors to unit)

**Self Lubricating Seals**  
Self lubricating dynamic seals (Buna-N only)

**Quality Components**  
Dynamic components are hardened for wear resistance and long life

**Sensors/ Mounting Kit**  
Read position of jaw (Sold Separately-See "How to Order" Section for more info)

**Rugged Construction**  
Jaws are supported throughout the length of the body and are precision ground for minimal jaw play

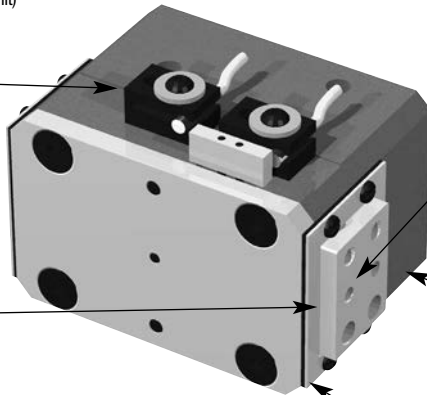
**Compact Design**  
Extremely compact and robust package

**Hard Coat Anodize**  
The body has hard-coat anodize 60 RC with Teflon® impregnation

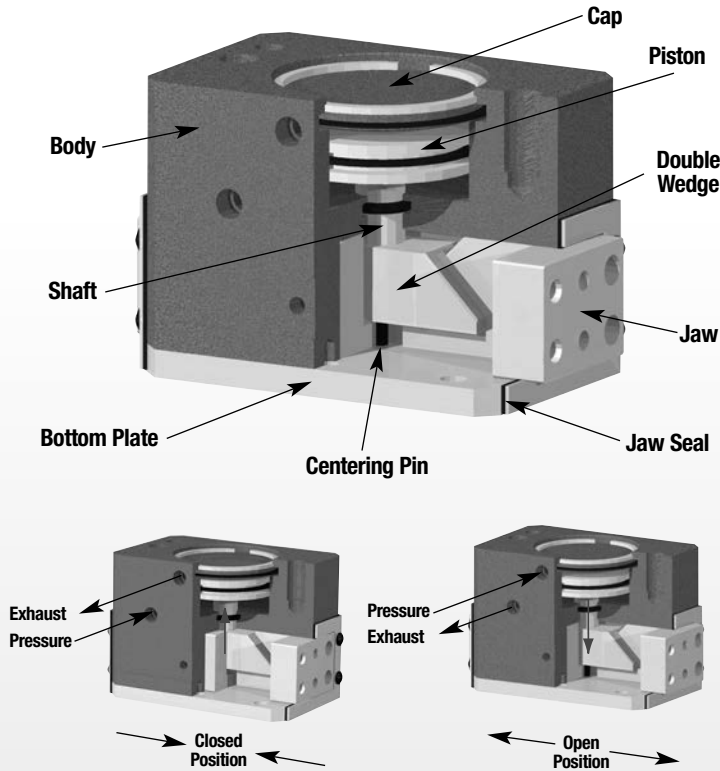
**Sealed Design**  
Unit repels contaminants (not available on RP-11&12)

**Dowel Holes**  
Slip fit dowel pin holes in body and jaws

**One Piece Body**  
One piece 7075 -T6 aircraft quality aluminum body



## Operating Principle



- A double acting piston is connected by a shaft to a double sided wedge.
- The wedge slides in a slot located in each of the jaws converting vertical motion of the wedge into horizontal synchronous motion of the jaws.
- The large surface area of the wedge minimizes frictional wear.
- This gripper is suitable for internal or external gripping.

**Designed and manufactured in the USA**

### Style-RP Parallel Gripper

#### Size-11M

Style:	RP-11	RP-11M
Stroke:	0.25 in.	6.4 mm
Grip Force:	40 lbs.	178 N
Weight:	.25 lbs.	.11 Kg



See Page **1.178**

### Style-RP Parallel Gripper

#### Size-12M

Style:	RP-12	RP-12M
Stroke:	0.38 in.	9.5 mm
Grip Force:	40 lbs.	178 N
Weight:	.56 lbs.	.25 Kg



See Page **1.179**

### Style-RP Parallel Gripper

#### Size-15M

Style:	RP-15	RP-15M
Stroke:	0.50 in.	12.7 mm
Grip Force:	70 lbs.	310 N
Weight:	1.25 lbs.	.57 Kg



See Page **1.180**

### Style-RP Parallel Gripper

#### Size-17M

Style:	RP-17	RP-17M
Stroke:	0.75 in.	19.1 mm
Grip Force:	220 lbs.	979 N
Weight:	2.2 lbs.	1.0 Kg



See Page **1.181**

### Style-RP Parallel Gripper

#### Size-18M

Style:	RP-18	RP-18M
Stroke:	1.25 in.	31.8 mm
Grip Force:	400 lbs.	1779 N
Weight:	7.7 lbs.	3.5 Kg

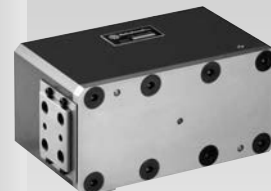


See Page **1.182**

### Style-RP Parallel Gripper

#### Size-19M

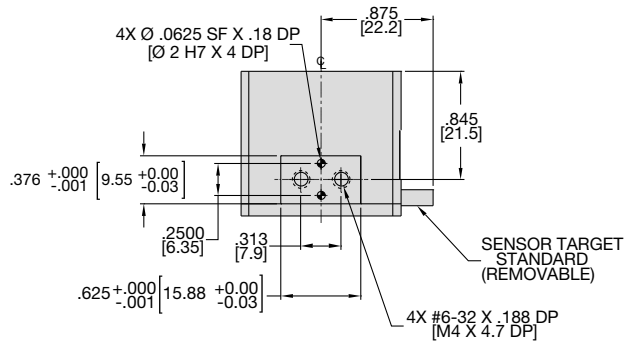
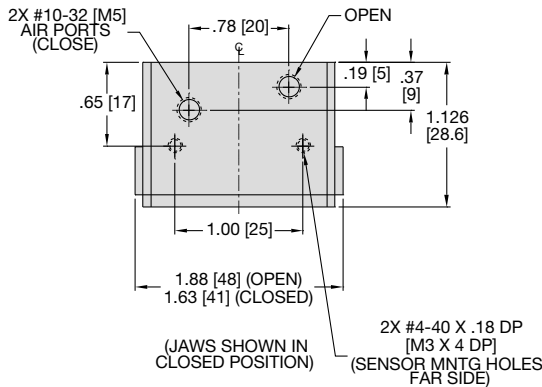
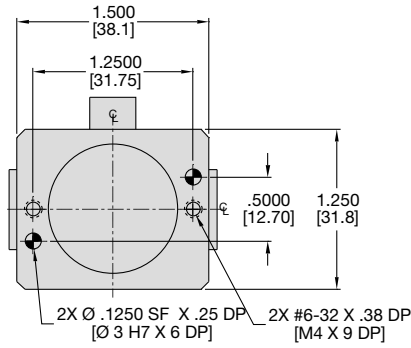
Style:	RP-19	RP-19M
Stroke:	2.00 in.	50.8 mm
Grip Force:	600 lbs.	2669 N
Weight:	21 lbs.	9.5 Kg



See Page **1.183**

**Note:** Please refer to our new DPDS/DPDL Series grippers found on pages 1.134-1.157. The RP Series is still available for sale and the related information remains available on our website but we encourage you to consider the new DPDS/DPDL Series grippers found on pages 1.134-1.157 for new projects.

# PARALLEL GRIPPER RP-11M DOUBLE WEDGE SERIES



### Specifications

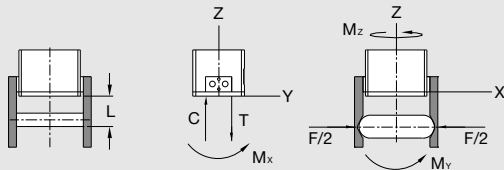
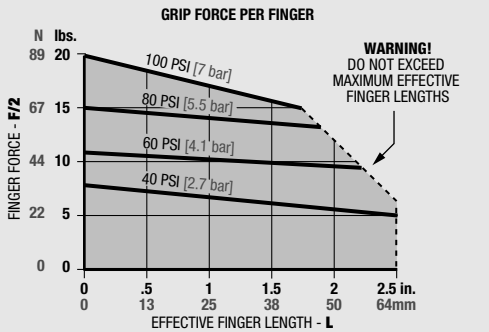
	RP-11	RP-11M
Total Rated Grip Force <b>F</b> @ 100 psi, 7 bar	40 lbs.	178 N
Stroke	.25 in.	6.4 mm
Weight	0.26 lbs.	0.12 Kg
Pressure Range	40-100 psi	3-7 bar
Cylinder Bore Ø	1.000 in.	25.4 mm
Displacement	0.098 in <sup>3</sup>	1.6 cm <sup>3</sup>
Temperature Range		
Standard Seals	-30°~180° F	-35°~80° C
Viton® Seals	-20°~300° F	-30°~150° C
Actuation	0.13 sec.	0.13 sec.
Accuracy	±0.002 in.	±0.05 mm
Repeatability	±0.001 in.	±0.03 mm
Valve required to actuate double acting...	4-way, 2-position	

### UNLESS OTHERWISE NOTED ALL TOLERANCES ARE AS SHOWN BELOW

Imperial in.	Metric [mm]
0.00 = ±.01	[0] = [±.25]
0.000 = ±.005	[0.0] = [±.13]
0.0000 = ±.0005	[0.00] = [±.013]

## Loading Information

## How to Order: (Order Accessories separately from Basic Model)



Loading Capacity†	Static		Dynamic	
	Imperial	Metric	Imperial	Metric
Maximum Tensile <b>T</b>	100 lbs.	445 N	25 lbs.	111 N
Maximum Compressive <b>C</b>	200 lbs.	890 N	25 lbs.	111 N
Maximum Moment <b>M<sub>x</sub></b>	100 in.-lbs.	11 Nm	17 in.-lbs.	2 Nm
Maximum Moment <b>M<sub>y</sub></b>	100 in.-lbs.	11 Nm	17 in.-lbs.	2 Nm
Maximum Moment <b>M<sub>z</sub></b>	100 in.-lbs.	11 Nm	17 in.-lbs.	2 Nm

†Capacities are per set of jaws and are not simultaneous

BASIC MODEL      VITON® SEALS

**RP-11 M - V**

METRIC

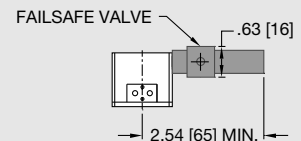
### SENSOR ACCESSORIES

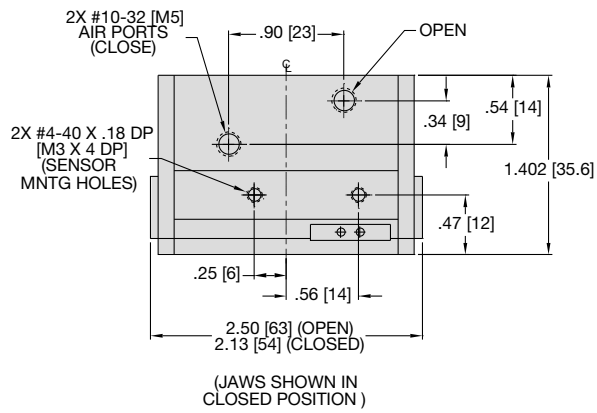
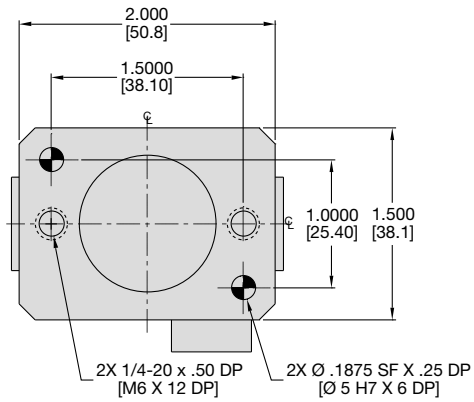
	ORDER #	QTY/UNIT
Sensor Mounting Kit for Imperial & Metric Units (mounts 2 sensors)	<b>OSMK-003</b>	<b>1</b>
NPN Inductive Sensor with Quick Disconnect*	<b>OISN-019</b>	<b>1 or 2</b>
PNP Inductive Sensor with Quick Disconnect*	<b>OISP-019</b>	<b>1 or 2</b>
Quick Disconnect 2 Meter Cable Length*	<b>CABL-010</b>	<b>1 or 2</b>
Quick Disconnect 5 Meter Cable Length*	<b>CABL-013</b>	<b>1 or 2</b>

### PNEUMATIC ACCESSORIES

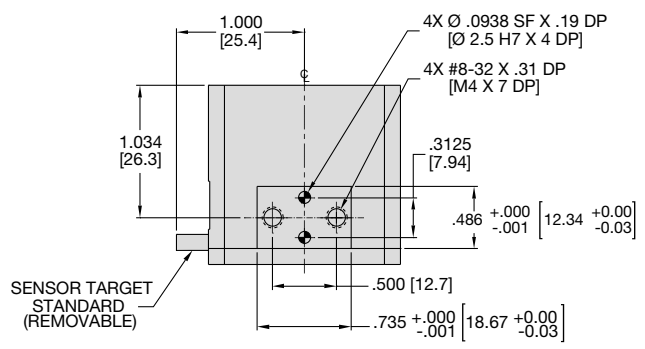
Fail Safe Valve (Imperial)	<b>OFSV-001</b>	<b>1</b>
Fail Safe Valve (Metric)	<b>OFSV-004</b>	<b>1</b>
Standard Seal Repair Kit	<b>SLKT-036</b>	<b>1</b>
Viton® Seal Repair Kit	<b>SLKT-036V</b>	<b>1</b>

\*Sensor and cable sold separately.





Specifications	RP-12	RP-12M
Total Rated Grip Force <b>F</b> @ 100 psi, 7 bar	40 lbs.	178 N
Stroke	.38 in.	9.5 mm
Weight	0.56 lbs.	0.25 Kg
Pressure Range	40-100 psi	3-7 bar
Cylinder Bore Ø	1.000 in.	25.4 mm
Displacement	0.150 in <sup>3</sup>	2.5 cm <sup>3</sup>
Temperature Range		
Standard Seals	-30°~180° F	-35°~80° C
Viton® Seals	-20°~300° F	-30°~150° C
Actuation	0.13 sec.	0.13 sec.
Accuracy	±0.002 in.	±0.05 mm
Repeatability	±0.001 in.	±0.03 mm
Valve required to actuate double acting...	4-way, 2-position	

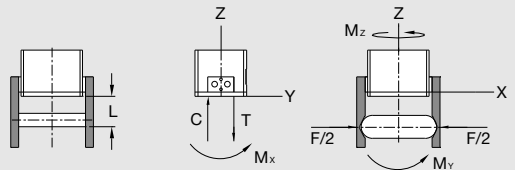
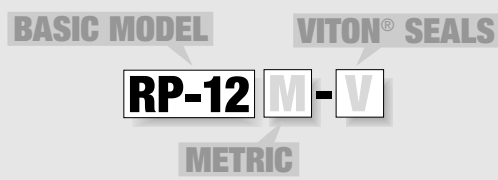
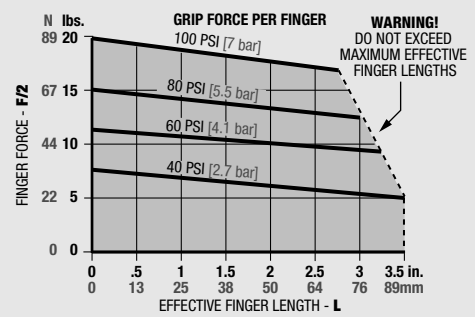


**UNLESS OTHERWISE NOTED ALL TOLERANCES ARE AS SHOWN BELOW**

Symbol	Imperial in.	Metric [mm]
⊕	0.00 = ±.01	[0.] = [±.25]
⊖	0.000 = ±.005	[0.0] = [±.13]
⊕	0.0000 = ±.0005	[0.00] = [±.013]

## Loading Information

## How to Order: (Order Accessories separately from Basic Model)



Loading Capacity†	Static		Dynamic	
	Imperial	Metric	Imperial	Metric
Maximum Tensile <b>T</b>	200 lbs.	890 N	25 lbs.	111 N
Maximum Compressive <b>C</b>	400 lbs.	1779 N	25 lbs.	111 N
Maximum Moment <b>M<sub>x</sub></b>	150 in.-lbs.	17 Nm	25 in.-lbs.	3 Nm
Maximum Moment <b>M<sub>y</sub></b>	150 in.-lbs.	17 Nm	25 in.-lbs.	3 Nm
Maximum Moment <b>M<sub>z</sub></b>	150 in.-lbs.	17 Nm	25 in.-lbs.	3 Nm

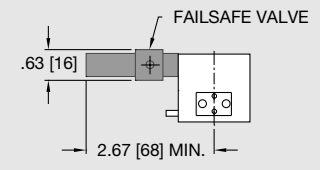
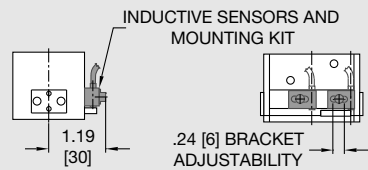
### SENSOR ACCESSORIES

	ORDER #	QTY/UNIT
Sensor Mounting Kit for Imperial & Metric Units (mounts 2 sensors)	<b>OSMK-003</b>	<b>1</b>
NPN Inductive Sensor with Quick Disconnect*	<b>OISN-019</b>	<b>1 or 2</b>
PNP Inductive Sensor with Quick Disconnect*	<b>OISP-019</b>	<b>1 or 2</b>
Quick Disconnect 2 Meter Cable Length*	<b>CABL-010</b>	<b>1 or 2</b>
Quick Disconnect 5 Meter Cable Length*	<b>CABL-013</b>	<b>1 or 2</b>

### PNEUMATIC ACCESSORIES

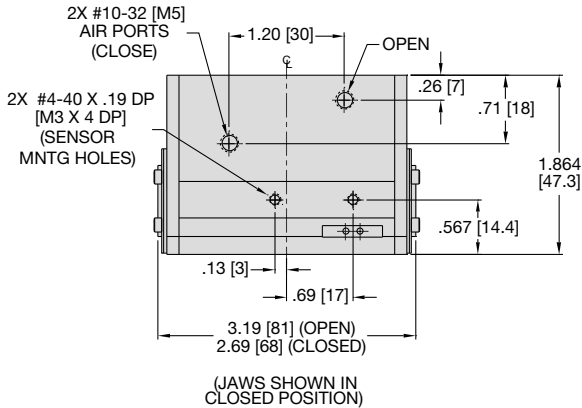
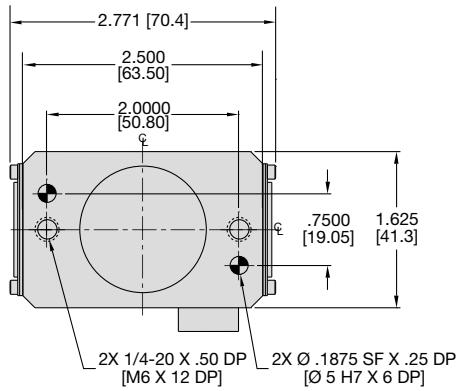
Fail Safe Valve (Imperial)	<b>OFSV-001</b>	<b>1</b>
Fail Safe Valve (Metric)	<b>OFSV-004</b>	<b>1</b>
Standard Seal Repair Kit	<b>SLKT-040</b>	<b>1</b>
Viton® Seal Repair Kit	<b>SLKT-040V</b>	<b>1</b>

\*Sensor and cable sold separately.



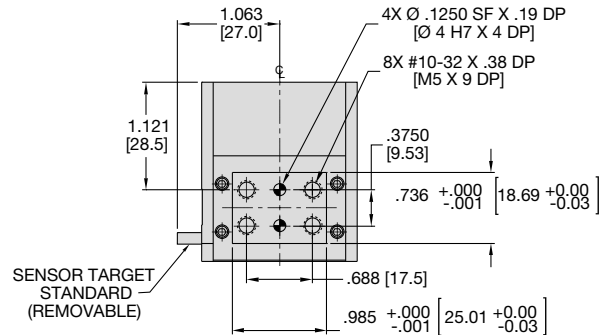


# PARALLEL GRIPPER RP-15M DOUBLE WEDGE SERIES



### Specifications

	RP-15	RP-15M
Total Rated Grip Force <b>F</b> @ 100 psi, 7 bar	70 lbs.	311 N
Stroke	.50 in.	12.7 mm
Weight	1.25 lbs.	0.57 Kg
Pressure Range	40-100 psi	3-7 bar
Cylinder Bore Ø	1.25 in.	31.8 mm
Displacement	0.300 in <sup>3</sup>	4.9 cm <sup>3</sup>
Temperature Range		
Standard Seals	-30°~180° F	-35°~80° C
Viton® Seals	-20°~300° F	-30°~150° C
Actuation	0.20 sec.	0.20 sec.
Accuracy	±0.002 in.	±0.05 mm
Repeatability	±0.001 in.	±0.03 mm
Valve required to actuate double acting...	4-way, 2-position	

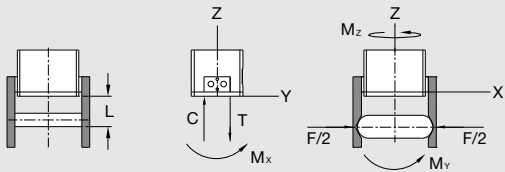
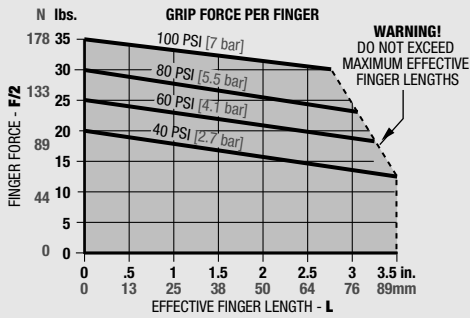


### UNLESS OTHERWISE NOTED ALL TOLERANCES ARE AS SHOWN BELOW

	Imperial in.	Metric [mm]
Dimensions are symmetrical about centerline	0.00 ± .01	[0.] ± [.25]
Third Angle Projection	0.000 ± .005	[0.0] ± [.13]
All Dowel Holes are SF (Slip Fit). Locational Tolerance ±.0005" or [±.013mm]	0.0000 ± .0005	[0.00] ± [.013]
Metric Threads Course Pitch		

## Loading Information

## How to Order: (Order Accessories separately from Basic Model)



Loading Capacity†	Static		Dynamic	
	Imperial	Metric	Imperial	Metric
Maximum Tensile <b>T</b>	400 lbs.	1779 N	50 lbs.	222 N
Maximum Compressive <b>C</b>	750 lbs.	3336 N	50 lbs.	222 N
Maximum Moment <b>M<sub>x</sub></b>	300 in.-lbs.	34 Nm	50 in.-lbs.	6 Nm
Maximum Moment <b>M<sub>y</sub></b>	300 in.-lbs.	34 Nm	50 in.-lbs.	6 Nm
Maximum Moment <b>M<sub>z</sub></b>	300 in.-lbs.	34 Nm	50 in.-lbs.	6 Nm

†Capacities are per set of jaws and are not simultaneous

### BASIC MODEL VITON® SEALS

**RP-15 M - V**

METRIC

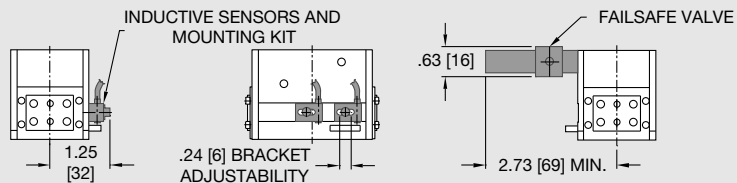
### SENSOR ACCESSORIES

	ORDER #	QTY/UNIT
Sensor Mounting Kit for Imperial & Metric Units (mounts 2 sensors)	<b>OSMK-003</b>	<b>1</b>
NPN Inductive Sensor with Quick Disconnect*	<b>OISN-019</b>	<b>1 or 2</b>
PNP Inductive Sensor with Quick Disconnect*	<b>OISP-019</b>	<b>1 or 2</b>
Quick Disconnect 2 Meter Cable Length*	<b>CABL-010</b>	<b>1 or 2</b>
Quick Disconnect 5 Meter Cable Length*	<b>CABL-013</b>	<b>1 or 2</b>

### PNEUMATIC ACCESSORIES

Fail Safe Valve (Imperial)	<b>OFSV-001</b>	<b>1</b>
Fail Safe Valve (Metric)	<b>OFSV-004</b>	<b>1</b>
Standard Seal Repair Kit	<b>SLKT-041</b>	<b>1</b>
Viton® Seal Repair Kit	<b>SLKT-041V</b>	<b>1</b>

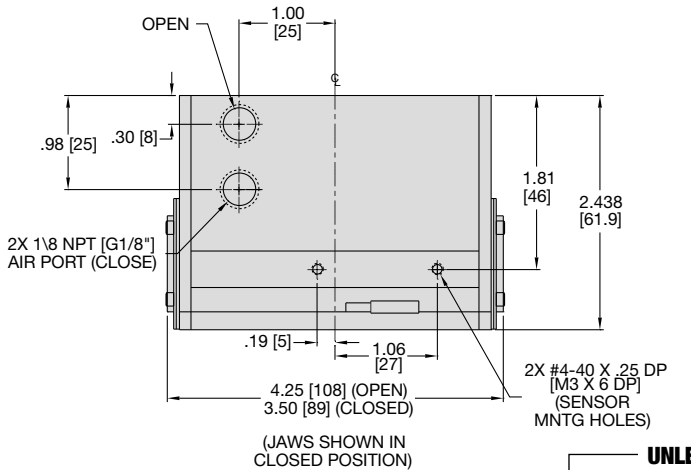
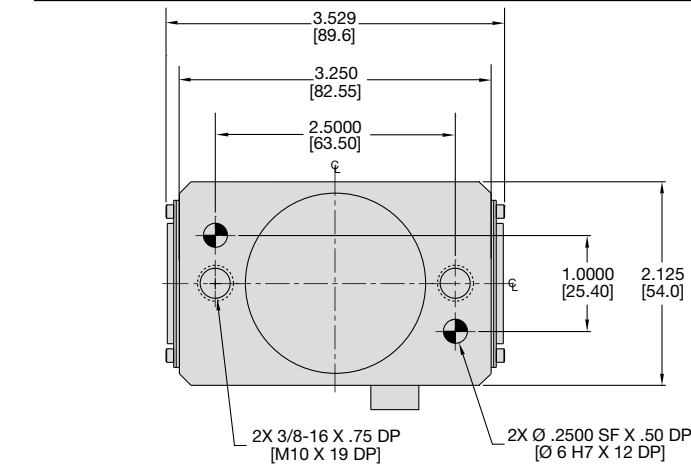
\*Sensor and cable sold separately.



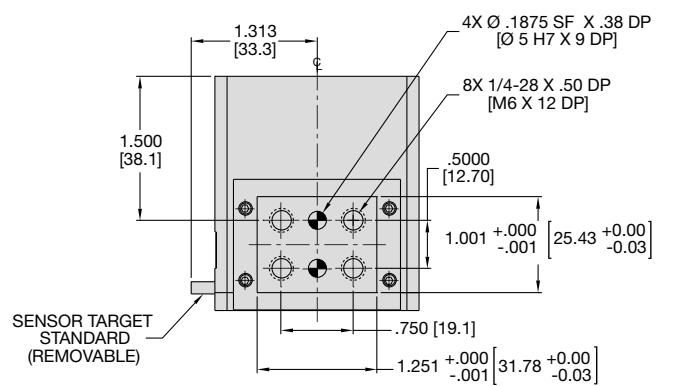


# PARALLEL GRIPPER RP-17M DOUBLE WEDGE SERIES

RP SERIES  
**1.181**



Specifications	RP-17	RP-17M
Total Rated Grip Force <b>F</b> @ 100 psi, 7 bar	220 lbs.	979 N
Stroke	.75 in.	19.1 mm
Weight	2.2 lbs.	1.0 Kg
Pressure Range	40-100 psi	3-7 bar
Cylinder Bore Ø	1.813 in.	46.1 mm
Displacement	1.400 in <sup>3</sup>	22.9 cm <sup>3</sup>
Temperature Range		
Standard Seals	-30°~180° F	-35°~80° C
Viton® Seals	-20°~300° F	-30°~150° C
Actuation	0.18 sec.	0.18 sec.
Accuracy	±0.003 in.	±0.08 mm
Repeatability	±0.001 in.	±0.03 mm
Valve required to actuate double acting...	4-way, 2-position	

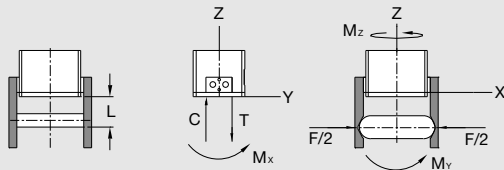
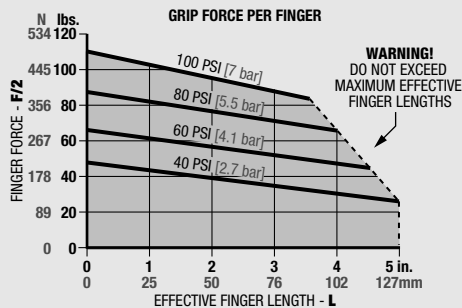


**UNLESS OTHERWISE NOTED ALL TOLERANCES ARE AS SHOWN BELOW**

	Imperial in.	Metric [mm]
Dimensions are symmetrical about centerline	0.00 = ±.01	[0] = [±.25]
Third Angle Projection	0.000 = ±.005	[0.0] = [±.13]
All Dowel Holes are SF (Slip Fit). Locational Tolerance ±.0005" or [±.013mm]	0.0000 = ±.0005	[0.00] = [±.013]
Metric Threads		
Course Pitch		

## Loading Information

## How to Order: (Order Accessories separately from Basic Model)



Loading Capacity†	Static		Dynamic	
	Imperial	Metric	Imperial	Metric
Maximum Tensile <b>T</b>	750 lbs.	3336 N	100 lbs.	445 N
Maximum Compressive <b>C</b>	1500 lbs.	6672 N	100 lbs.	445 N
Maximum Moment <b>M<sub>x</sub></b>	750 in.-lbs.	85 Nm	125 in.-lbs.	14 Nm
Maximum Moment <b>M<sub>y</sub></b>	750 in.-lbs.	85 Nm	125 in.-lbs.	14 Nm
Maximum Moment <b>M<sub>z</sub></b>	750 in.-lbs.	85 Nm	125 in.-lbs.	14 Nm

†Capacities are per set of jaws and are not simultaneous

**BASIC MODEL**      **VITON® SEALS**

**RP-17 M - V**

**METRIC**

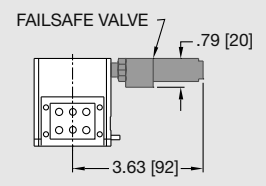
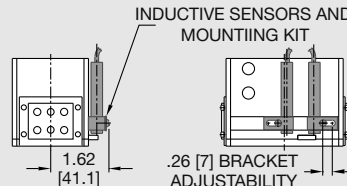
### SENSOR ACCESSORIES

	ORDER #	QTY/UNIT
Sensor Mounting Kit for Imperial & Metric Units (mounts 2 sensors)	<b>OSMK-072</b>	<b>1</b>
NPN Inductive Sensor with Quick Disconnect*	<b>OISN-011</b>	<b>1 or 2</b>
PNP Inductive Sensor with Quick Disconnect*	<b>OISP-011</b>	<b>1 or 2</b>
Quick Disconnect 2 Meter Cable Length*	<b>CABL-010</b>	<b>1 or 2</b>
Quick Disconnect 5 Meter Cable Length*	<b>CABL-013</b>	<b>1 or 2</b>

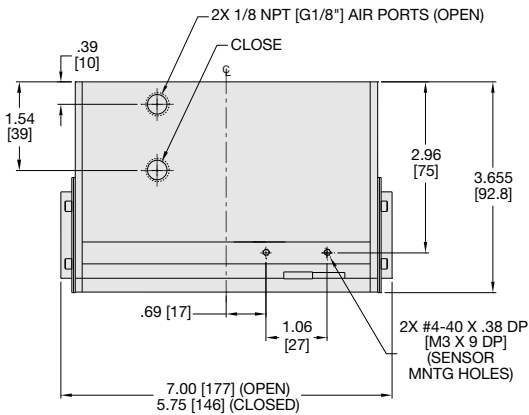
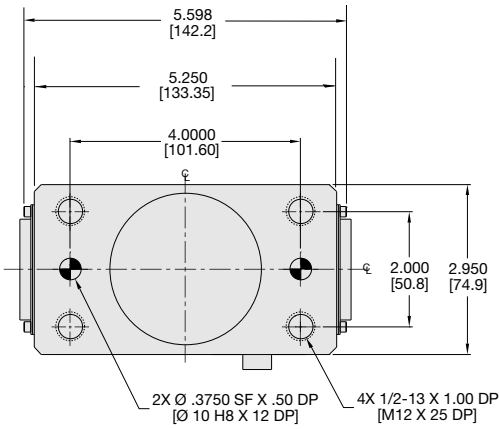
### PNEUMATIC ACCESSORIES

Fail Safe Valve (Imperial)	<b>OFSV-002</b>	<b>1</b>
Fail Safe Valve (Metric)	<b>OFSV-005</b>	<b>1</b>
Standard Seal Repair Kit	<b>SLKT-042</b>	<b>1</b>
Viton® Seal Repair Kit	<b>SLKT-042V</b>	<b>1</b>

\*Sensor and cable sold separately.

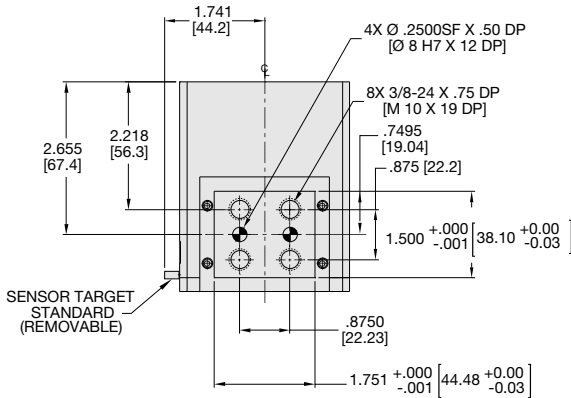


# PARALLEL GRIPPER RP-18M DOUBLE WEDGE SERIES



(JAWS SHOWN IN CLOSED POSITION)

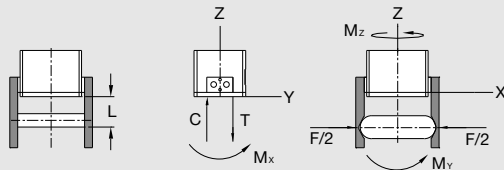
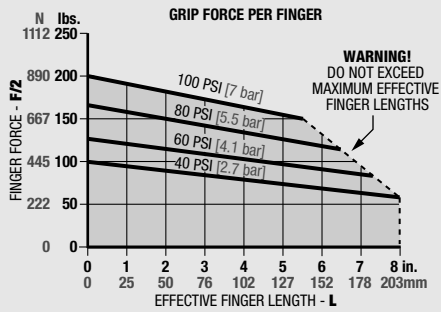
Specifications	RP-18	RP-18M
Total Rated Grip Force <b>F</b> @ 100 psi, 7 bar	400 lbs.	1779 N
Stroke	1.25 in.	31.8 mm
Weight	7.7 lbs.	3.5 Kg
Pressure Range	40-100 psi	3-7 bar
Cylinder Bore Ø	2.500 in.	63.5 mm
Displacement	4.400 in <sup>3</sup>	72.1 cm <sup>3</sup>
Temperature Range		
Standard Seals	-30°~180° F	-35°~80° C
Viton® Seals	-20°~300° F	-30°~150° C
Actuation	0.22 sec.	0.22 sec.
Accuracy	±0.003 in.	±0.08 mm
Repeatability	±0.001 in.	±0.03 mm
Valve required to actuate double acting...	4-way, 2-position	



**UNLESS OTHERWISE NOTED ALL TOLERANCES ARE AS SHOWN BELOW**

Imperial in.	Metric [mm]
0.00 = ±.01	[0.] = [±.25]
0.000 = ±.005	[0.0] = [±.13]
0.0000 = ±.0005	[0.00] = [±.013]

## Loading Information



Loading Capacity†	Static		Dynamic	
	Imperial	Metric	Imperial	Metric
Maximum Tensile <b>T</b>	1500 lbs.	6672 N	250 lbs.	1112 N
Maximum Compressive <b>C</b>	3000 lbs.	13345 N	250 lbs.	1112 N
Maximum Moment <b>M<sub>x</sub></b>	1500 in.-lbs.	170 Nm	250 in.-lbs.	28 Nm
Maximum Moment <b>M<sub>y</sub></b>	1500 in.-lbs.	170 Nm	250 in.-lbs.	28 Nm
Maximum Moment <b>M<sub>z</sub></b>	1500 in.-lbs.	170 Nm	250 in.-lbs.	28 Nm

†Capacities are per set of jaws and are not simultaneous

## How to Order: (Order Accessories separately from Basic Model)

BASIC MODEL      VITON® SEALS

**RP-18 M - V**

METRIC

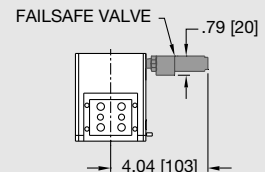
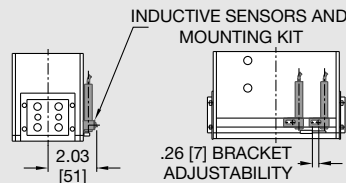
### SENSOR ACCESSORIES

	ORDER #	QTY/UNIT
Sensor Mounting Kit for Imperial & Metric Units (mounts 2 sensors)	<b>OSMK-072</b>	<b>1</b>
NPN Inductive Sensor with Quick Disconnect*	<b>OISN-011</b>	<b>1 or 2</b>
PNP Inductive Sensor with Quick Disconnect*	<b>OISP-011</b>	<b>1 or 2</b>
Quick Disconnect 2 Meter Cable Length*	<b>CABL-010</b>	<b>1 or 2</b>
Quick Disconnect 5 Meter Cable Length*	<b>CABL-013</b>	<b>1 or 2</b>

### PNEUMATIC ACCESSORIES

Fail Safe Valve (Imperial)	<b>OFSV-002</b>	<b>1</b>
Fail Safe Valve (Metric)	<b>OFSV-005</b>	<b>1</b>
Standard Seal Repair Kit	<b>SLKT-043</b>	<b>1</b>
Viton® Seal Repair Kit	<b>SLKT-043V</b>	<b>1</b>

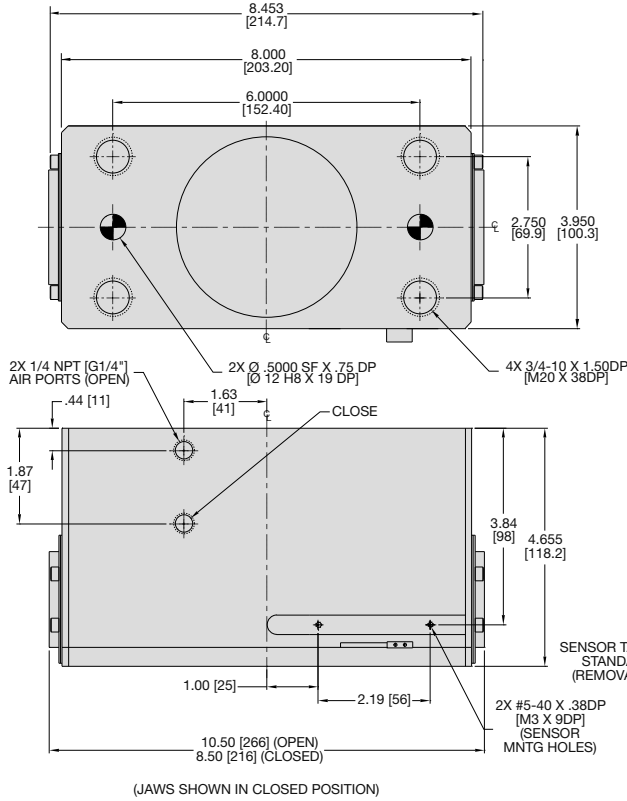
\*Sensor and cable sold separately.





# PARALLEL GRIPPER RP-19M DOUBLE WEDGE SERIES

RP SERIES  
**1.183**



### Specifications

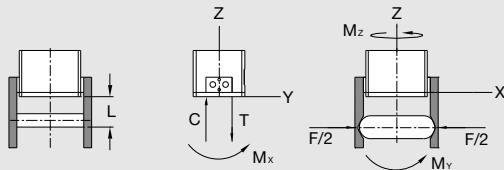
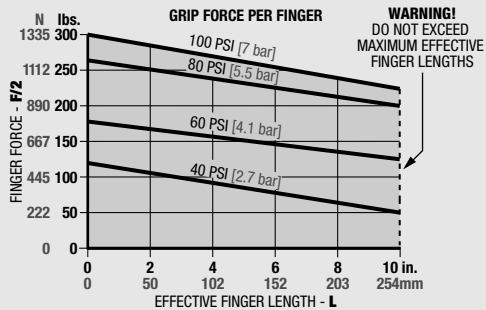
	RP-19	RP-19M
Total Rated Grip Force <b>F</b> @ 100 psi, 7 bar	600 lbs.	2669 N
Stroke	2.00 in.	50.8 mm
Weight	21 lbs.	9.5 Kg
Pressure Range	40-100 psi	3-7 bar
Cylinder Bore $\varnothing$	3.500 in.	88.9 mm
Displacement	9.600 in <sup>3</sup>	157.3 cm <sup>3</sup>
Temperature Range		
Standard Seals	-30°~180° F	-35°~80° C
Viton® Seals	-20°~300° F	-30°~150° C
Actuation	0.50 sec.	0.50 sec.
Accuracy	±0.003 in.	±0.08 mm
Repeatability	±0.001 in.	±0.03 mm
Valve required to actuate double acting...	4-way, 2-position	

**UNLESS OTHERWISE NOTED ALL TOLERANCES ARE AS SHOWN BELOW**

	Imperial in.	Metric [mm]
Dimensions are symmetrical about centerline	0.00 ± 0.01	[0.] = [±.25]
Third Angle Projection	0.000 ± 0.005	[0.0] = [±.13]
All Dowel Holes are SF (Slip Fit). Locational Tolerance ±.0005" or [±.013mm]	0.0000 ± 0.0005	[0.00] = [±.013]
Metric Threads Course Pitch		

## Loading Information

## How to Order: (Order Accessories separately from Basic Model)



### Loading Capacity†

	Static		Dynamic	
	Imperial	Metric	Imperial	Metric
Maximum Tensile <b>T</b>	3000 lbs.	13345 N	300 lbs.	1334 N
Maximum Compressive <b>C</b>	6000 lbs.	26689 N	300 lbs.	1334 N
Maximum Moment <b>M<sub>x</sub></b>	5000 in.-lbs.	565 Nm	500 in.-lbs.	56 Nm
Maximum Moment <b>M<sub>y</sub></b>	5000 in.-lbs.	565 Nm	500 in.-lbs.	56 Nm
Maximum Moment <b>M<sub>z</sub></b>	5000 in.-lbs.	565 Nm	500 in.-lbs.	56 Nm

†Capacities are per set of jaws and are not simultaneous

### BASIC MODEL VITON® SEALS

**RP-19 M - V**

METRIC

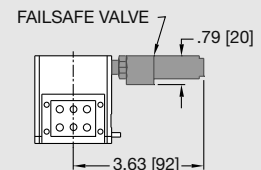
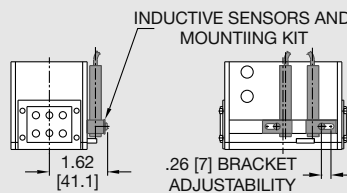
#### SENSOR ACCESSORIES

	ORDER #	QTY/UNIT
Sensor Mounting Kit for Imperial & Metric Units (mounts 2 sensors)	<b>OSMK-073</b>	<b>1</b>
NPN Inductive Sensor with Quick Disconnect*	<b>OISN-011</b>	<b>1 or 2</b>
PNP Inductive Sensor with Quick Disconnect*	<b>OISP-011</b>	<b>1 or 2</b>
Quick Disconnect 2 Meter Cable Length*	<b>CABL-010</b>	<b>1 or 2</b>
Quick Disconnect 5 Meter Cable Length*	<b>CABL-013</b>	<b>1 or 2</b>

#### PNEUMATIC ACCESSORIES

Fail Safe Valve (Imperial)	<b>OFSV-003</b>	<b>1</b>
Fail Safe Valve (Metric)	<b>OFSV-006</b>	<b>1</b>
Standard Seal Repair Kit	<b>SLKT-044</b>	<b>1</b>
Viton® Seal Repair Kit	<b>SLKT-044V</b>	<b>1</b>

\*Sensor and cable sold separately.



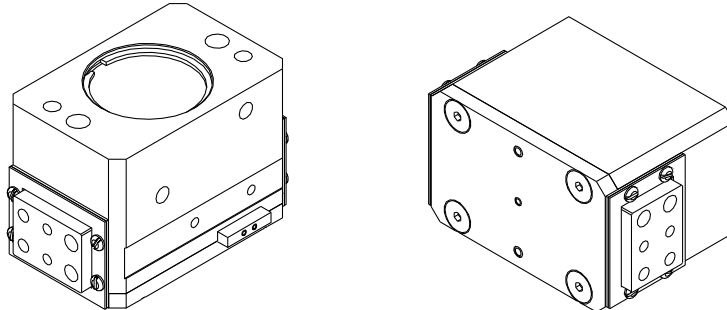


# RP Double Wedge Series Exploded View



Item	Qty	Name
------	-----	------

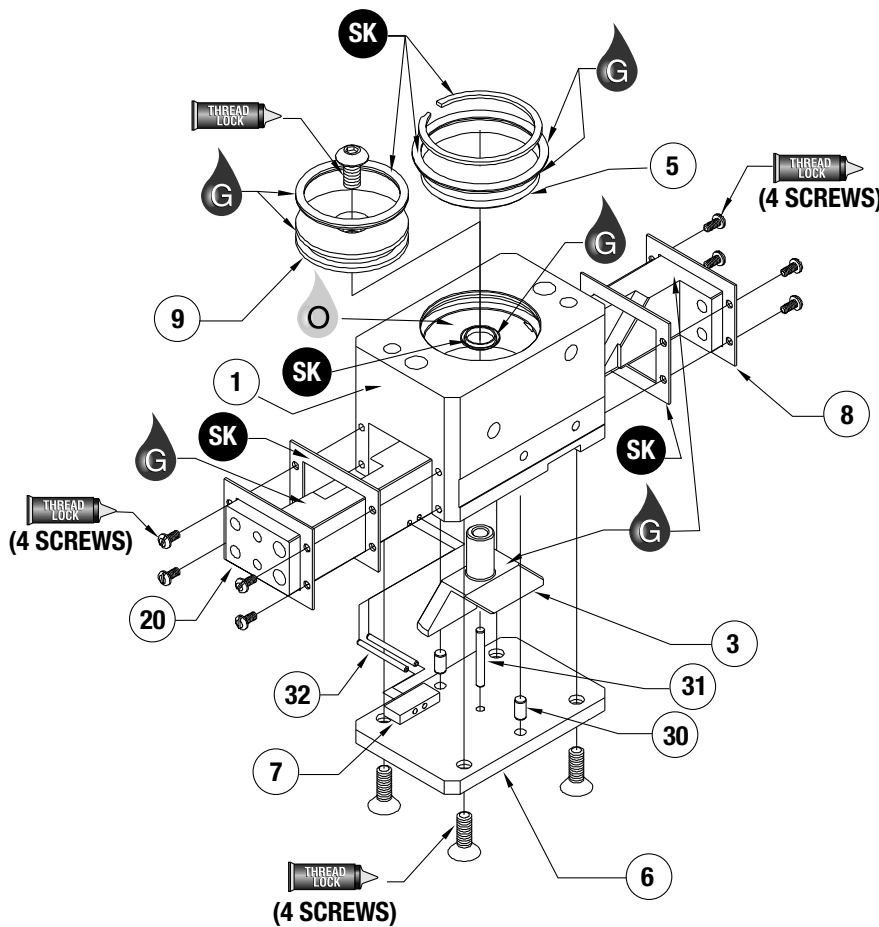
01	1	Body
03	1	Shaft/Wedge
05	1	Cap
06	1	Plate, Bottom
07	1	Target
08	2	Plate, Seal
09	1	Piston
20	2	Jaw, Target Ready
30	2	Dowel Pin
31	1	Dowel Pin
32	2	Roll Pin



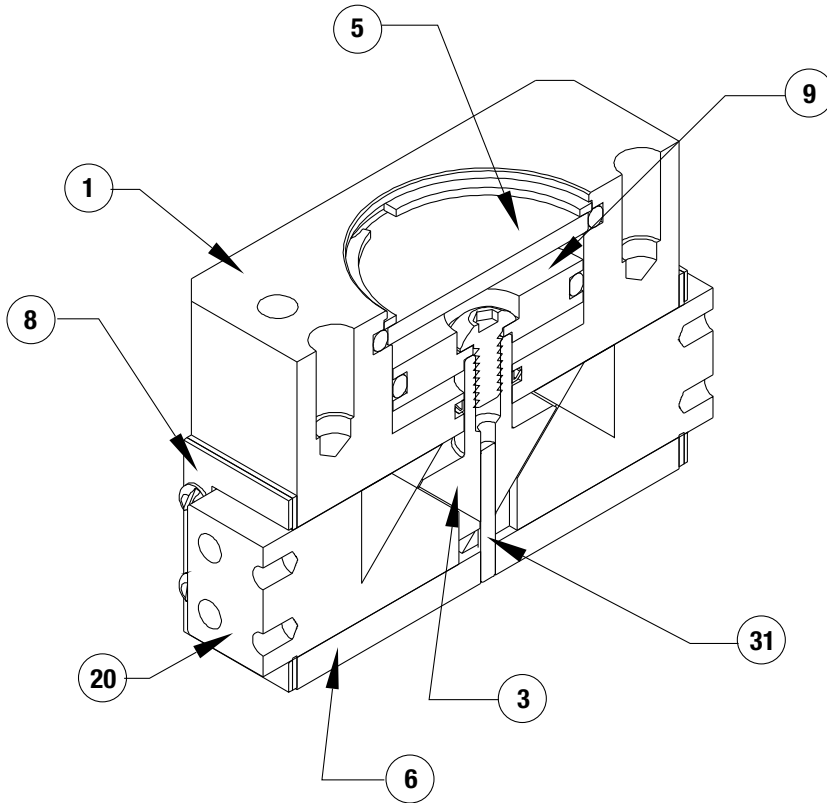
**NOTE:** Contact the Robohand Sales Department for a complete spare parts list with order numbers and prices.

### Assembly Procedure

- 1) Lubricate and install seals.
- 2) Install target on one jaw.
- 3) Place wedge, shaft and jaws into body.
- 4) Install piston into body.
- 5) Install cap and retaining ring.
- 6) Attach bottom plate to body.



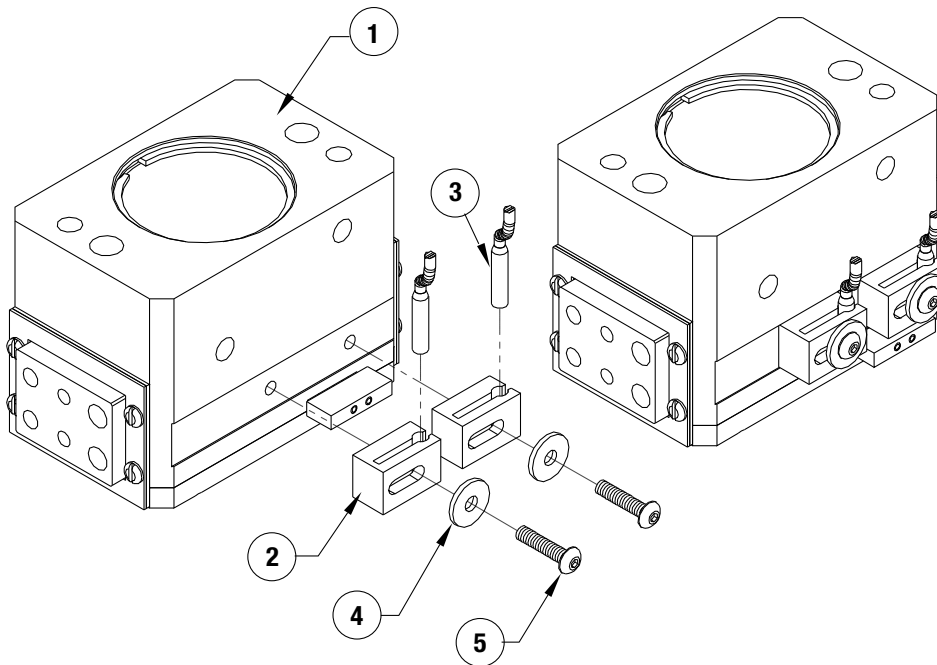
**SK Seal Repair Kit Order #'s  
See Product Data Sheets**



Item	Qty	Name
01	1	Body
03	1	Shaft/Wedge
05	1	Cap
06	1	Plate, Bottom
07	1	Target
08	2	Plate, Seal
09	1	Piston
20	2	Jaw, Target Ready
30	2	Dowel Pin
31	1	Dowel Pin
32	2	Roll Pin

**NOTE:** Contact the Robohand Sales Department for a complete spare parts list with order numbers and prices.

## Accessory Installation & Adjustment Instructions



### Installation

- 1) Install sensors as shown.
- 2) Adjust for desired end of stroke detection.