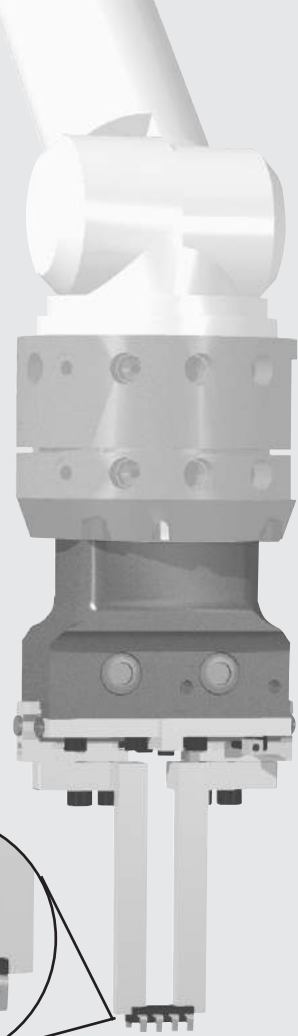
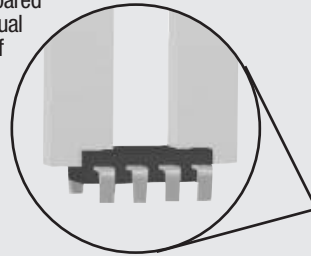


# RP-P Precision 2-Jaw Parallel Grippers

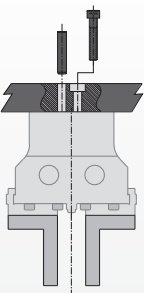


- Precision applications:**  
 Our patented preloaded "Dual-V" roller bearings eliminate side play for excellent part position repeatability.
- Delicate part handling:**  
 Low friction mechanism allows for repeatable gripping forces for gripping delicate parts. Grip force is easily adjusted by regulating air pressure.
- Longer finger applications:**  
 The Dual "V" roller design allows for longer gripper finger lengths to be used when compared to other grippers of equal size. The low friction of mechanism maintains large gripping force at longer finger lengths.

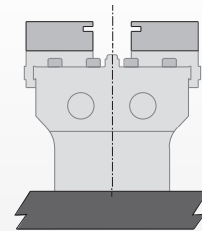


## Mounting Information:

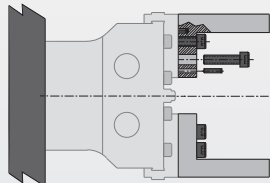
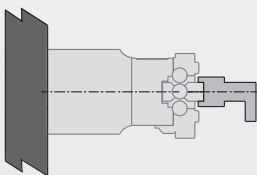
Grippers can be mounted & operated in any orientation



Body mounts with screws and locates with slip fit dowel pins for accuracy



**Warning!** Protect drive and bearing mechanism from falling debris when mounted upside down



Fingers attach to jaws with screws and locate by keying or slip fit dowel pins

## Technical Specifications:

Pneumatic Specifications	Imperial	Metric
Pressure Operating Range	5-100 psi	.3 - 7 bar
Cylinder Type	Double Acting	
Dynamic Seals	Internally Lubricated Buna-N	
Valve Required to Operate	4-way, 2-position	

### Air Quality Requirements

Air Filtration	40 Micron or Better	
Air Lubrication	Not Necessary*	
Air Humidity	Low Moisture Content (dry)	

### Temperature Operating Range

Buna-N Seals (standard)	-30~180° F	-35~80° C
Viton® Seals (optional)	-20~250° F	-30~120° C

### Maintenance Specifications†

Expected Life	5 million cycles	
Normal Application w/ Preventative Maintenance	10 +million cycles*	
Field Repairable	Yes	
Seal Repair Kits Available	Yes	

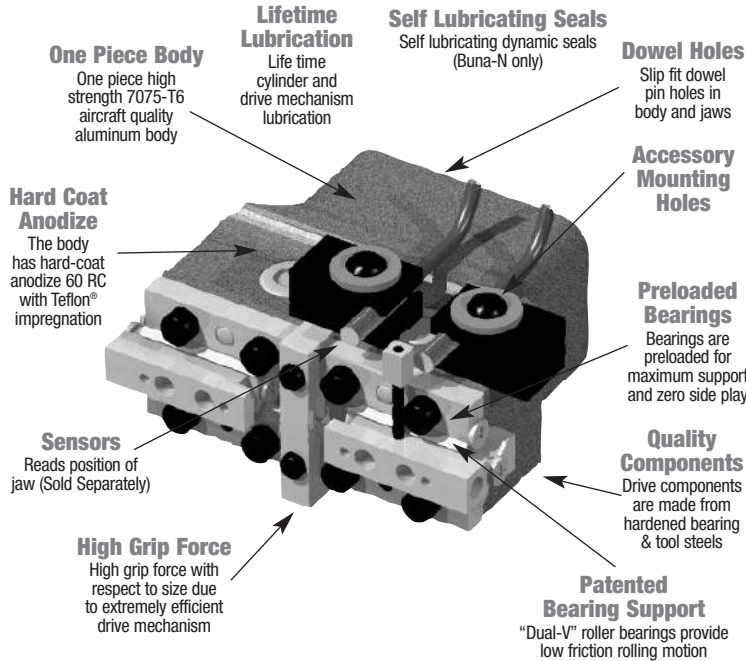
### Application Restrictions

- Dirty or gritty environments
- Machining operations generating chips
- Environments with loose particulate
- Applications where mechanism lubricant could cause contamination

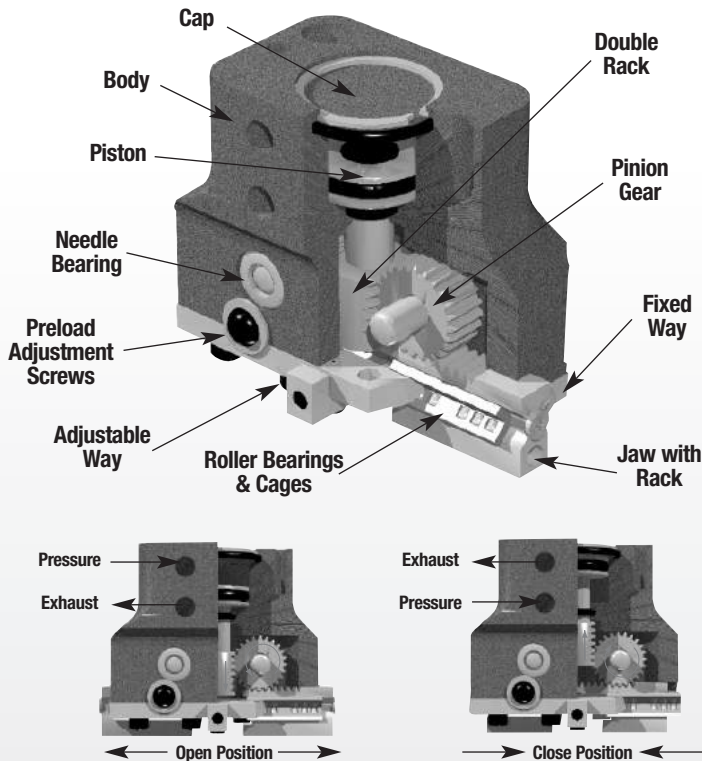
\* Addition of lubrication will greatly increase service life  
 † See maintenance section



## Product Features



## Operating Principle



- A double acting piston connected to a double sided rack drives a set of pinion gears in opposite rotations.
- The synchronized gears drive two jaws with built in racks that are supported by the "Dual-V" roller bearings.
- Suitable for internal or external gripping.

**U.S. Patent # 4,874,194**  
**Designed and manufactured in the USA**

### Style-RP Parallel Gripper

#### Size -50PM

Style:	RP-50P	RP-50PM
Stroke:	.50 in.	12.7 mm
Grip Force:	24 lb	107 N
Weight:	.31 lb	.14 Kg



See Page **1.36**

### Style-RP Parallel Gripper

#### Size -100PM

Style:	RP-100P	RP-100PM
Stroke:	1.00 in.	25.4 mm
Grip Force:	36 lb	160 N
Weight:	.50 lb	.23 Kg



See Page **1.37**

### Style-RP Parallel Gripper

#### Size -25PM

Style:	RP-25P	RP-25PM
Stroke:	1.13 in.	28.7 mm
Grip Force:	80 lb	356 N
Weight:	1.0 lb	.45 Kg



See Page **1.38**

### Style-RP Parallel Gripper

#### Size -35PM

Style:	RP-35P	RP-35PM
Stroke:	1.00 in.	25.4 mm
Grip Force:	175 lb	778 N
Weight:	3.5 lb	1.6 Kg



See Page **1.39**

### Style-RP Parallel Gripper

#### Size -40PM

Style:	RP-40P	RP-40PM
Stroke:	2.00 in.	50.8 mm
Grip Force:	200 lb	890 N
Weight:	6.0 lb	2.7 Kg



See Page **1.40**

### Style-RP Parallel Gripper

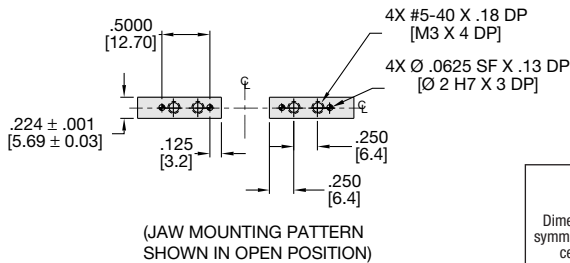
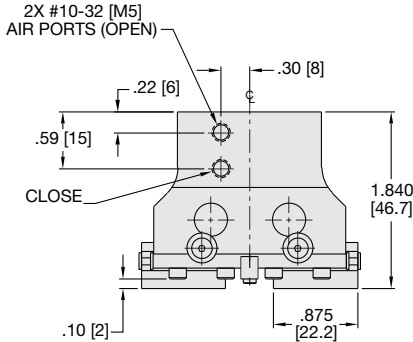
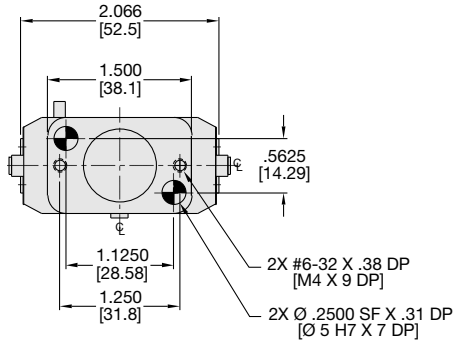
#### Size -43PM

Style:	RP-100P	RP-100PM
Stroke:	3.00 in.	76.2 mm
Grip Force:	500 lb	2224 N
Weight:	16 lb	7.3 Kg



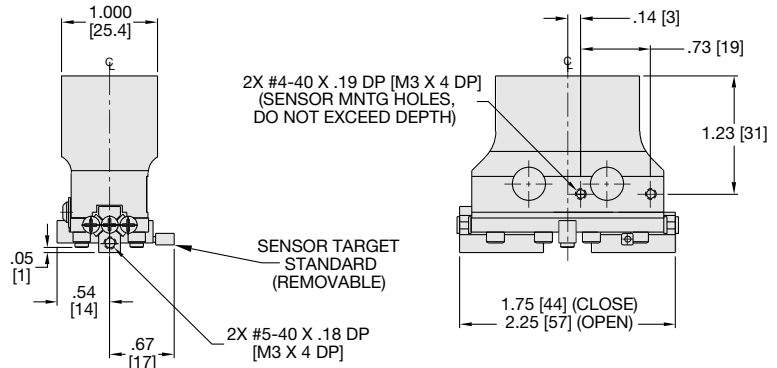
See Page **1.41**

RP-50P Product Specifications



Specifications

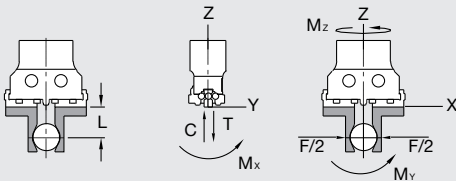
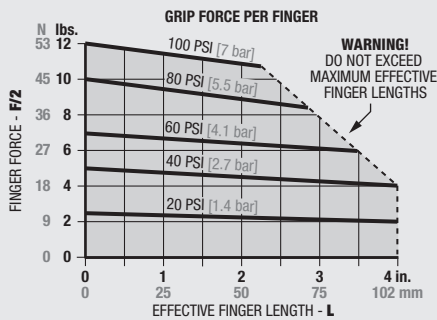
	RP-50P	RP-50PM
Total Rated Grip Force <b>F</b> @ 100 psi, 7 bar...	24 lbs.	107 N
Stroke	0.50 in.	12.7 mm
Weight	0.31 lbs.	0.14 Kg
Pressure Range	5-100 psi	0.3-7 bar
Cylinder Bore Ø	0.625 in.	5.9 mm
Displacement	0.100 in <sup>3</sup>	1.64 cm <sup>3</sup>
Temperature Range		
Standard Seals	-30°~180°F	-35°~80°C
Viton® Seals	-20°~250°F	-30°~120°C
Actuation	0.14 sec.	0.14 sec.
Accuracy	±0.001 in.	±0.03 mm
Repeatability	±0.0005 in.	±0.01 mm
Valve required to actuate double acting.....	4-way, 2-position	



UNLESS OTHERWISE NOTED ALL TOLERANCES ARE AS SHOWN BELOW

	Imperial in.	Metric [mm]
Dimensions are symmetrical about centerline	0.00 = ±.01	[0.] = [±.25]
Third Angle Projection	0.000 = ±.005	[0.0] = [±.13]
All Dowel Holes are SF (Slip Fit). Locational Tolerance ±.0005" or [±.013mm]	0.0000 = ±.0005	[0.00] = [±.013]
Metric Threads Course Pitch		

Loading Information



Loading Capacity†	Static		Dynamic	
	Imperial	Metric	Imperial	Metric
Maximum Tensile <b>T</b>	50 lbs.	222 N	15 lbs.	67 N
Maximum Compressive <b>C</b>	50 lbs.	222 N	15 lbs.	67 N
Maximum Moment <b>M<sub>x</sub></b>	50 in.-lbs.	6 Nm	12 in.-lbs.	1 Nm
Maximum Moment <b>M<sub>y</sub></b>	60 in.-lbs.	7 Nm	15 in.-lbs.	2 Nm
Maximum Moment <b>M<sub>z</sub></b>	50 in.-lbs.	6 Nm	12 in.-lbs.	1 Nm

†Capacities are per set of jaws and are not simultaneous

How to Order: (Order Accessories separately from Basic Model)

BASIC MODEL VITON® SEALS

RP-50P M - V

METRIC

OPTICAL ENCODER -E Consult Factory

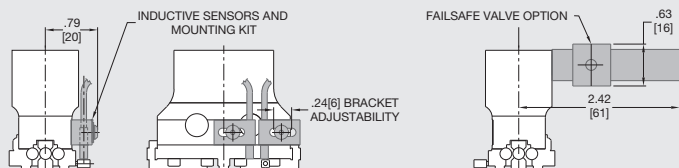
SENSOR ACCESSORIES\*

	ORDER #	QTY/UNIT
Sensor Mounting Kit (Imperial/Metric) (mounts 2 sensors)	OSMK-003	1
3mm NPN Inductive Sensor with Quick Disconnect*	OISN-019	1 or 2
3mm PNP Inductive Sensor with Quick Disconnect*	OISP-019	1 or 2
Quick Disconnect 2 Meter Cable Length*	CABL-010	1 or 2
Quick Disconnect 5 Meter Cable Length*	CABL-013	1 or 2

PNEUMATIC ACCESSORIES

Fail Safe Valve (Imperial)	OFSV-001	1
Fail Safe Valve (Metric)	OFSV-004	1
Stroke Limited Opening Valve (LTD)	OLTD-001	1
Standard Seal Repair Kit	SLKT-053	1
Viton® Seal Repair Kit	SLKT-053V	1

\*Sensor and cable sold separately.

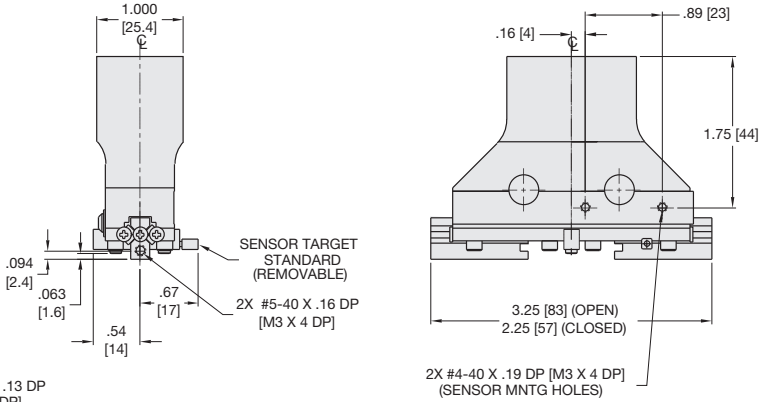
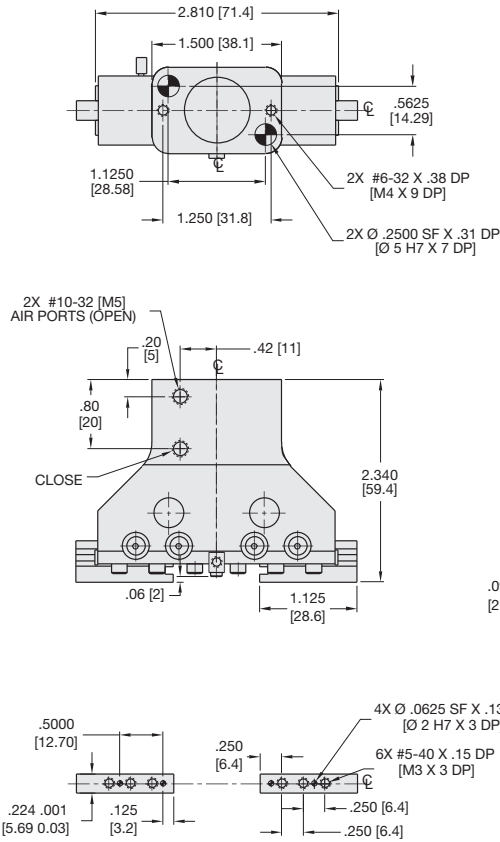


RP-100P Product Specifications

RP-P SERIES

Specifications

	RP-100P	RP-100PM
Total Rated Grip Force <b>F</b> @ 100 psi, 7 bar...	36 lbs.	160 N
Stroke .....	1.00 in.	25.4 mm
Weight .....	0.50 lbs.	0.23 Kg
Pressure Range .....	5-100 psi	0.3-7 bar
Cylinder Bore $\varnothing$ .....	0.750 in.	19.1 mm
Displacement .....	0.220 in <sup>3</sup>	3.6 cm <sup>3</sup>
Temperature Range		
Standard Seals .....	-30~180°F	-35~80°C
Viton® Seals .....	-20~250°F	-30~120°C
Actuation .....	0.18 sec.	0.18 sec.
Accuracy .....	±0.001 in.	±0.03 mm
Repeatability .....	±0.0005 in.	±0.01 mm
Valve required to actuate double acting.....	4-way, 2-position	

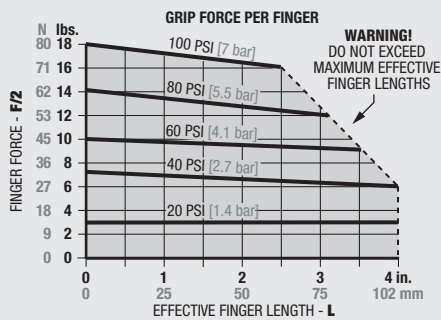


**UNLESS OTHERWISE NOTED ALL TOLERANCES ARE AS SHOWN BELOW**

	Imperial in.	Metric [mm]
Dimensions are symmetrical about centerline	0.00 = ±.01	[0.] = [±.25]
Third Angle Projection	0.000 = ±.005	[0.0] = [±.13]
All Dowel Holes are SF (Slip Fit). Locational Tolerance ±.0005" or [±.013mm]	0.0000 = ±.0005	[0.00] = [±.013]
Metric Threads Course Pitch		

Loading Information

How to Order: (Order Accessories separately from Basic Model)



BASIC MODEL    VITON® SEALS

**RP-100P** **M** - **V**

METRIC

OPTICAL ENCODER -E Consult Factory

SENSOR ACCESSORIES\*

- Sensor Mounting Kit (Imperial/Metric) (mounts 2 sensors)
- 4mm NPN Inductive Sensor with Quick Disconnect\*
- 4mm PNP Inductive Sensor with Quick Disconnect\*
- Quick Disconnect 2 Meter Cable Length\*
- Quick Disconnect 5 Meter Cable Length\*

ORDER #	QTY/UNIT
OSMK-004	1
OISN-014	1 or 2
OISP-014	1 or 2
CABL-010	1 or 2
CABL-013	1 or 2

PNEUMATIC ACCESSORIES

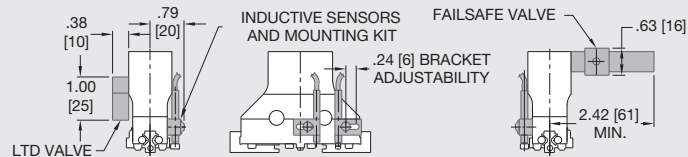
- Fail Safe Valve (Imperial)
- Fail Safe Valve (Metric)
- Stroke Limited Opening Valve (LTD)
- Standard Seal Repair Kit
- Viton® Seal Repair Kit

OFSV-001	1
OFSV-004	1
OLTD-001	1
SLKT-037	1
SLKT-037V	1

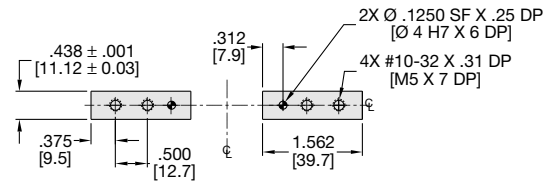
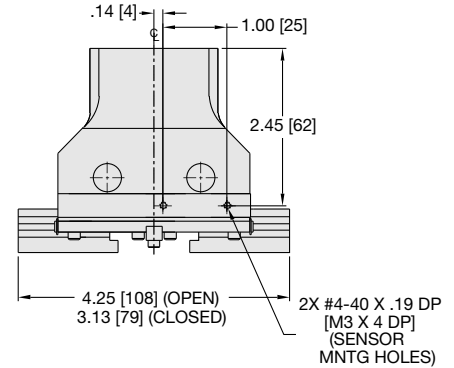
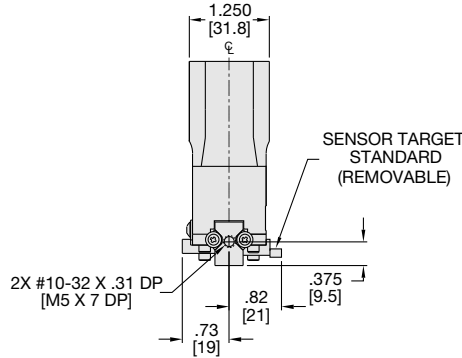
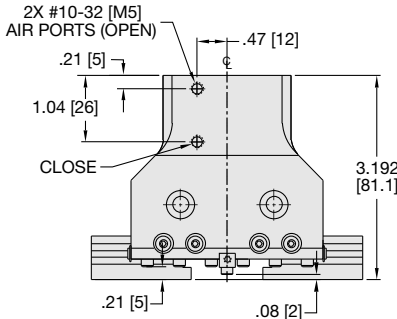
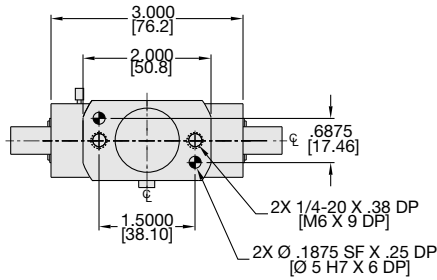
\*Sensor and cable sold separately.

Loading Capacity†	Static		Dynamic	
	Imperial	Metric	Imperial	Metric
Maximum Tensile <b>T</b>	60 lb	267 N	20 lb	89 N
Maximum Compressive <b>C</b>	60 lb	267 N	20 lb	89 N
Maximum Moment <b>M<sub>x</sub></b>	100 in.-lb	11 Nm	25 in.-lb	3 Nm
Maximum Moment <b>M<sub>y</sub></b>	120 in.-lb	14 Nm	30 in.-lb	3 Nm
Maximum Moment <b>M<sub>z</sub></b>	100 in.-lb	11 Nm	25 in.-lb	3 Nm

†Capacities are per set of jaws and are not simultaneous



RP-25P Product Specifications



JAW MOUNTING PATTERN (SHOWN IN OPEN POSITION)

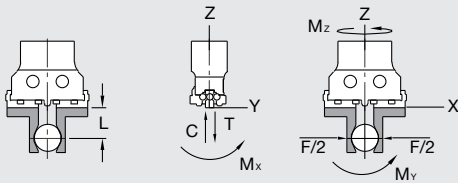
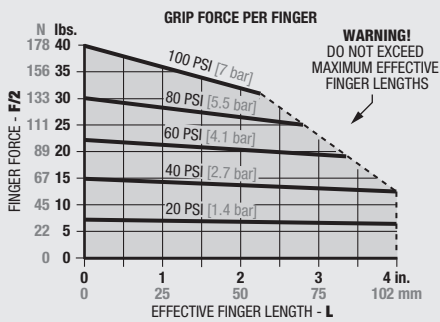
Specifications

	RP-25P	RP-25PM
Total Rated Grip Force <b>F</b> @ 100 psi, 7 bar...	80 lbs.	356 N
Stroke .....	1.13 in.	28.7 mm
Weight.....	1.0 lbs.	0.45 Kg
Pressure Range .....	5-100 psi	0.3-7 bar
Cylinder Bore Ø.....	1.00 in.	25.4 mm
Displacement.....	0.500 in <sup>3</sup>	8.2 cm <sup>3</sup>
Temperature Range		
Standard Seals .....	-30°~180°F	-35°~80°C
Viton® Seals.....	-20°~250°F	-30°~120°C
Actuation .....	0.21 sec.	0.21 sec.
Accuracy .....	±0.001 in.	±0.03 mm
Repeatability .....	±0.0005 in.	±0.01 mm
Valve required to actuate double acting.....	4-way, 2-position	

UNLESS OTHERWISE NOTED ALL TOLERANCES ARE AS SHOWN BELOW

Imperial in.	Metric [mm]
0.00 = ±.01	[0.] = [±.25]
0.000 = ±.005	[0.0] = [±.13]
0.0000 = ±.0005	[0.00] = [±.013]

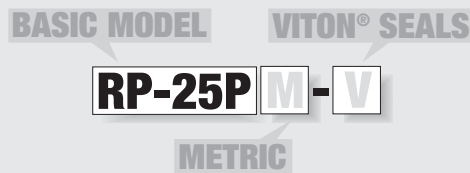
Loading Information



Loading Capacity†	Static		Dynamic	
	Imperial	Metric	Imperial	Metric
Maximum Tensile <b>T</b>	100 lbs.	445 N	30 lbs.	133 N
Maximum Compressive <b>C</b>	100 lbs.	445 N	30 lbs.	133 N
Maximum Moment <b>M<sub>x</sub></b>	200 in.-lbs.	23 Nm	50 in.-lb	6 Nm
Maximum Moment <b>M<sub>y</sub></b>	250 in.-lbs.	28 Nm	60 in.-lbs.	7 Nm
Maximum Moment <b>M<sub>z</sub></b>	200 in.-lbs.	23 Nm	50 in.-lbs.	6 Nm

†Capacities are per set of jaws and are not simultaneous

How to Order: (Order Accessories separately from Basic Model)



OPTICAL ENCODER -E Consult Factory

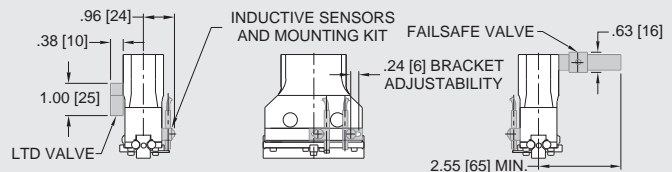
SENSOR ACCESSORIES\*

	ORDER #	QTY/UNIT
Sensor Mounting Kit (Imperial/Metric) (mounts 2 sensors)	<b>OSMK-004</b>	<b>1</b>
4mm NPN Inductive Sensor with Quick Disconnect*	<b>OISN-014</b>	<b>1 or 2</b>
4mm PNP Inductive Sensor with Quick Disconnect*	<b>OISP-014</b>	<b>1 or 2</b>
Quick Disconnect 2 Meter Cable Length*	<b>CABL-010</b>	<b>1 or 2</b>
Quick Disconnect 5 Meter Cable Length*	<b>CABL-013</b>	<b>1 or 2</b>

PNEUMATIC ACCESSORIES

Fail Safe Valve (Imperial)	<b>OFSV-001</b>	<b>1</b>
Fail Safe Valve (Metric)	<b>OFSV-004</b>	<b>1</b>
Stroke Limited Opening Valve (LTD)	<b>OLTD-001</b>	<b>1</b>
Standard Seal Repair Kit	<b>SLKT-046</b>	<b>1</b>
Viton® Seal Repair Kit	<b>SLKT-046V</b>	<b>1</b>

\*Sensor and cable sold separately.





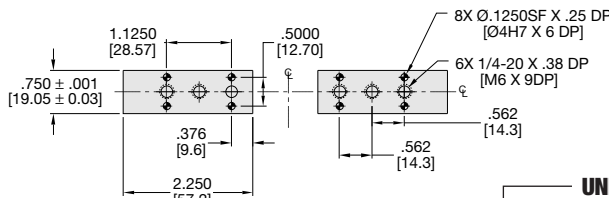
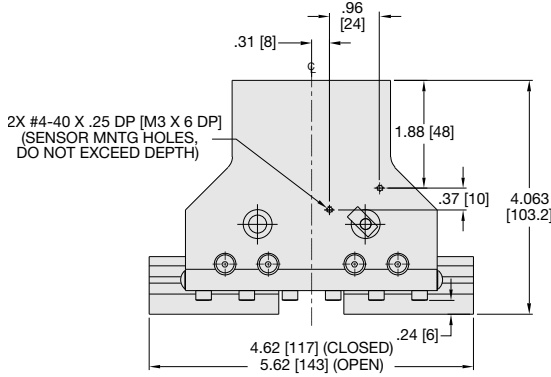
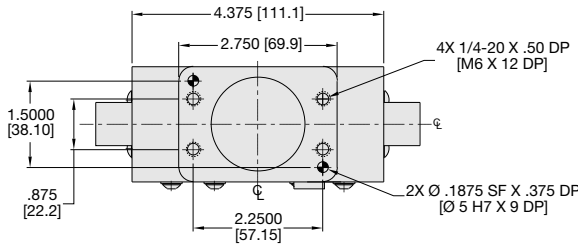


RP-35P Product Specifications

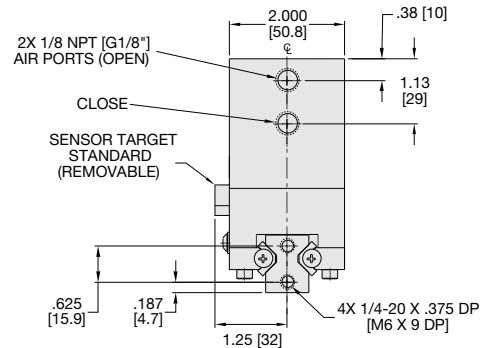
RP-P SERIES

Specifications

	RP-35P	RP-35PM
Total Rated Grip Force <b>F</b> @ 100 psi, 7 bar ...	175 lbs.	778 N
Stroke .....	1.00 in.	25.4 mm
Weight.....	3.5 lbs.	1.6 Kg
Pressure Range .....	5-100 psi	0.3-7 bar
Cylinder Bore Ø.....	1.62 in.	41.1 mm
Displacement.....	1.036 in <sup>3</sup>	17.0 cm <sup>3</sup>
Temperature Range		
Standard Seals .....	-30°~180°F	-35°~80°C
Viton® Seals.....	-20°~250°F	-30°~120°C
Actuation.....	0.33 sec.	0.33 sec.
Accuracy.....	±0.001 in.	±0.03 mm
Repeatability.....	±0.0005 in.	±0.01 mm
Valve required to actuate double acting.....	4-way, 2-position	



JAW MOUNTING PATTERN (SHOWN IN OPEN POSITION)

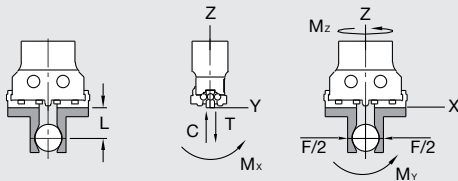
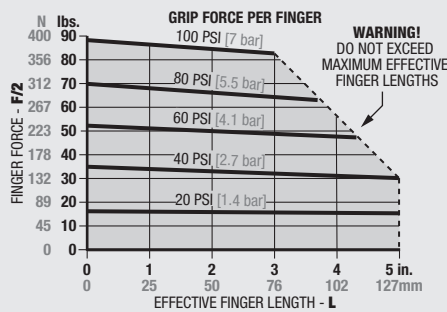


UNLESS OTHERWISE NOTED ALL TOLERANCES ARE AS SHOWN BELOW

				<b>Imperial in.</b>	<b>Metric [mm]</b>
Dimensions are symmetrical about centerline	Third Angle Projection	All Dowel Holes are SF (Slip Fit). Locational Tolerance ±.0005" or [±.013mm]	Metric Threads Course Pitch	0.00 = ±.01 0.000 = ±.005 0.0000 = ±.0005	[0.] = [±.25] [0.0] = [±.13] [0.00] = [±.013]

Loading Information

How to Order: (Order Accessories separately from Basic Model)



Loading Capacity†

	Static		Dynamic	
	Imperial	Metric	Imperial	Metric
Maximum Tensile <b>T</b>	200 lb	890 N	75 lb	334 N
Maximum Compressive <b>C</b>	200 lb	890 N	75 lb	334 N
Maximum Moment <b>M<sub>x</sub></b>	500 in.-lb	57 Nm	125 in.-lb	14 Nm
Maximum Moment <b>M<sub>y</sub></b>	600 in.-lb	68 Nm	150 in.-lb	17 Nm
Maximum Moment <b>M<sub>z</sub></b>	500 in.-lb	57 Nm	125 in.-lb	14 Nm

†Capacities are per set of jaws and are not simultaneous

BASIC MODEL VITON® SEALS

RP-35P M-V

METRIC

OPTICAL ENCODER -E Consult Factory

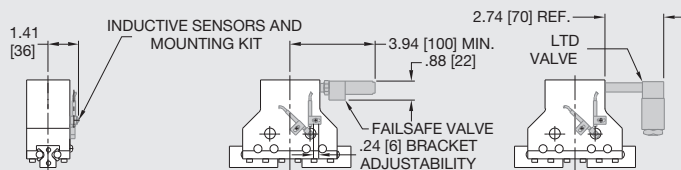
SENSOR ACCESSORIES\*

	ORDER #	QTY/UNIT
Sensor Mounting Kit (Imperial/Metric) (mounts 2 sensors)	<b>OSMK-023</b>	<b>1</b>
4mm NPN Inductive Sensor with Quick Disconnect*	<b>OISN-014</b>	<b>1 or 2</b>
4mm PNP Inductive Sensor with Quick Disconnect*	<b>OISP-014</b>	<b>1 or 2</b>
Quick Disconnect 2 Meter Cable Length*	<b>CABL-010</b>	<b>1 or 2</b>
Quick Disconnect 5 Meter Cable Length*	<b>CABL-013</b>	<b>1 or 2</b>

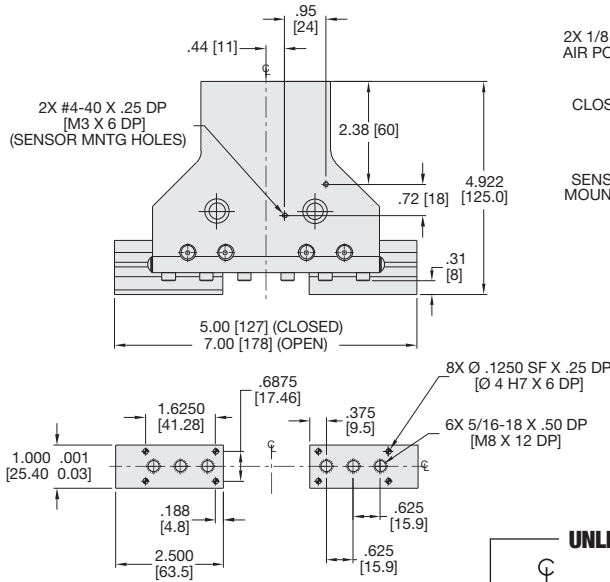
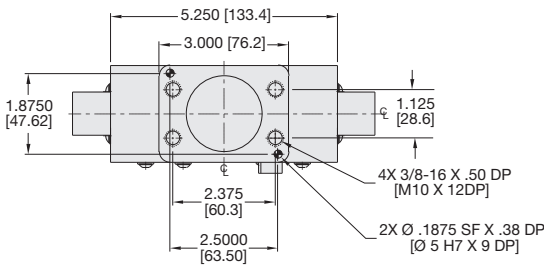
PNEUMATIC ACCESSORIES

Fail Safe Valve (Imperial)	<b>OFSV-002</b>	<b>1</b>
Fail Safe Valve (Metric)	<b>OFSV-005</b>	<b>1</b>
Stroke Limited Opening Valve (LTD)	<b>OLTD-002</b>	<b>1</b>
Standard Seal Repair Kit	<b>SLKT-049</b>	<b>1</b>
Viton® Seal Repair Kit	<b>SLKT-049V</b>	<b>1</b>

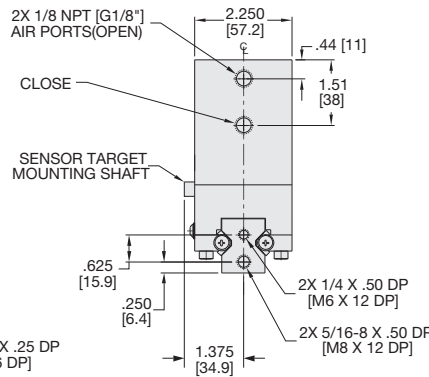
\*Sensor and cable sold separately.



RP-40P Product Specifications



JAW MOUNTING PATTERN (SHOWN IN OPEN POSITION)



Specifications

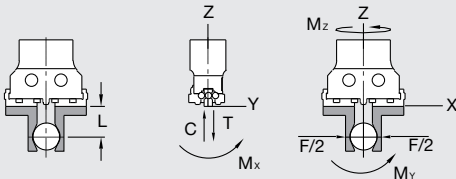
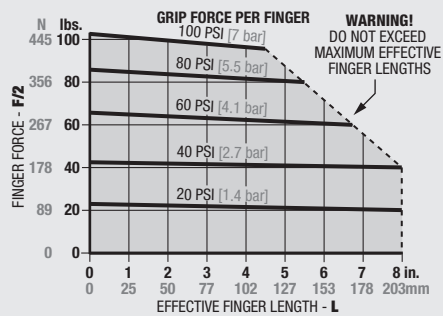
	RP-40P	RP-40PM
Total Rated Grip Force <b>F</b> @ 100 psi, 7 bar...	200 lbs.	890 N
Stroke .....	2.00 in.	50.8 mm
Weight.....	6.0 lbs.	2.7 Kg
Pressure Range .....	5-100 psi	0.3-7 bar
Cylinder Bore Ø.....	1.75 in.	44.4 mm
Displacement.....	1.710 in <sup>3</sup>	28.0 cm <sup>3</sup>
Temperature Range		
Standard Seals .....	-30°~180°F	-35°~80°C
Viton® Seals.....	-20°~250°F	-30°~120°C
Actuation.....	0.39 sec.	0.39 sec.
Accuracy.....	±0.002 in.	±0.05 mm
Repeatability.....	±0.001 in.	±0.03 mm
Valve required to actuate double acting.....	4-way, 2-position	

UNLESS OTHERWISE NOTED ALL TOLERANCES ARE AS SHOWN BELOW

	Imperial in.	Metric [mm]
Dimensions are symmetrical about centerline	0.00 = ±.01	[0.] = [±.25]
Third Angle Projection	0.000 = ±.005	[0.0] = [±.13]
All Dowel Holes are SF (Slip Fit). Locational Tolerance ±.0005\" or [±.013mm]	0.0000 = ±.0005	[0.00] = [±.013]
Metric Threads Course Pitch		

Loading Information

How to Order: (Order Accessories separately from Basic Model)



Loading Capacity†

	Static		Dynamic	
	Imperial	Metric	Imperial	Metric
Maximum Tensile <b>T</b>	400 lb	1779 N	150 lb	667 N
Maximum Compressive <b>C</b>	400 lb	1779 N	150 lb	667 N
Maximum Moment <b>M<sub>x</sub></b>	1000 in.-lb	113 Nm	250 in.-lb	28 Nm
Maximum Moment <b>M<sub>y</sub></b>	1200 in.-lb	136 Nm	300 in.-lb	34 Nm
Maximum Moment <b>M<sub>z</sub></b>	1000 in.-lb	113 Nm	250 in.-lb	28 Nm

†Capacities are per set of jaws and are not simultaneous

BASIC MODEL VITON® SEALS

RP-40P M - V

METRIC

OPTICAL ENCODER -E Consult Factory

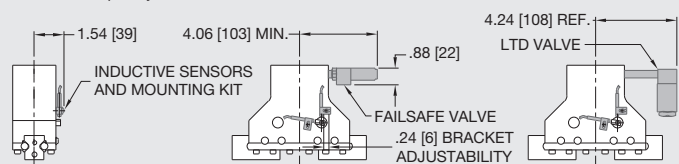
SENSOR ACCESSORIES\*

	ORDER #	QTY/UNIT
Sensor Mounting Kit (Imperial/Metric) (mounts 2 sensors)	<b>OSMK-023</b>	<b>1</b>
4mm NPN Inductive Sensor with Quick Disconnect*	<b>OISN-014</b>	<b>1 or 2</b>
4mm PNP Inductive Sensor with Quick Disconnect*	<b>OISP-014</b>	<b>1 or 2</b>
Quick Disconnect 2 Meter Cable Length*	<b>CABL-010</b>	<b>1 or 2</b>
Quick Disconnect 5 Meter Cable Length*	<b>CABL-013</b>	<b>1 or 2</b>

PNEUMATIC ACCESSORIES

Fail Safe Valve (Imperial)	<b>OFSV-002</b>	<b>1</b>
Fail Safe Valve (Metric)	<b>OFSV-005</b>	<b>1</b>
Stroke Limited Opening Valve (LTD)	<b>OLTD-002</b>	<b>1</b>
Standard Seal Repair Kit	<b>SLKT-050</b>	<b>1</b>
Viton® Seal Repair Kit	<b>SLKT-050V</b>	<b>1</b>

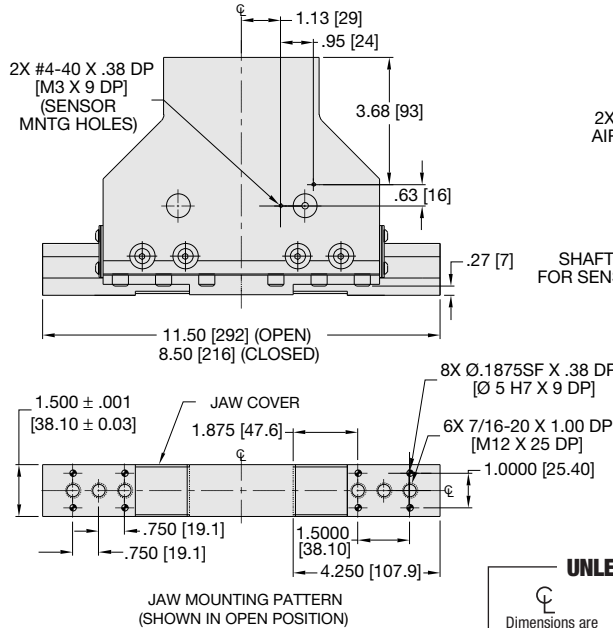
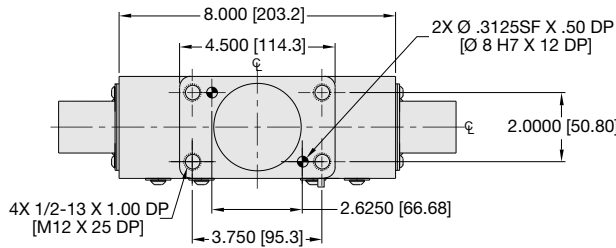
\*Sensor and cable sold separately.





RP-43P Product Specifications

RP-P SERIES



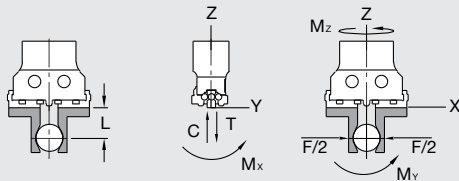
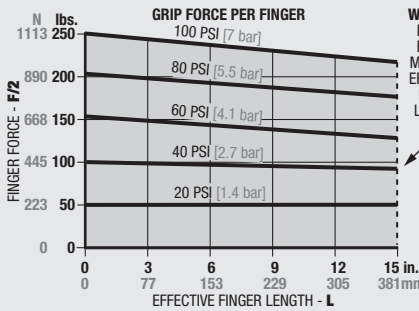
**UNLESS OTHERWISE NOTED ALL TOLERANCES ARE AS SHOWN BELOW**

	Imperial in.	Metric [mm]
Dimensions are symmetrical about centerline	0.00 = ±.01	[.] = [±.25]
Third Angle Projection	0.000 = ±.005	[0.] = [±.13]
All Dowel Holes are SF (Slip Fit). Locational Tolerance ±.0005" or [±.013mm]	0.0000 = ±.0005	[0.00] = [±.013]
Metric Threads Course Pitch		

Specifications	RP-43P	RP-43PM
Total Rated Grip Force <b>F</b> @ 100 psi, 7 bar...	500 lbs.	2224 N
Stroke	3.00 in.	76.2 mm
Weight	16 lbs.	7.3 Kg
Pressure Range	5-100 psi	0.3-7 bar
Cylinder Bore Ø	2.50 in.	63.5 mm
Displacement	7.360 in³	120.6 cm³
Temperature Range		
Standard Seals	-30°~180°F	-35°~80°C
Viton® Seals	-20°~250°F	-30°~120°C
Actuation	0.59 sec.	0.59 sec.
Accuracy	±0.002 in.	±0.05 mm
Repeatability	±0.001 in.	±0.03 mm
Valve required to actuate double acting.....	4-way, 2-position	

Loading Information

How to Order: (Order Accessories separately from Basic Model)



Loading Capacity†	Static		Dynamic	
	Imperial	Metric	Imperial	Metric
Maximum Tensile <b>T</b>	1000 lb	4448 N	350 lb	1557 N
Maximum Compressive <b>C</b>	1000 lb	4448 N	350 lb	1557 N
Maximum Moment <b>M<sub>x</sub></b>	2500 in.-lb	283 Nm	500 in.-lb	57 Nm
Maximum Moment <b>M<sub>y</sub></b>	3000 in.-lb	339 Nm	600 in.-lb	68 Nm
Maximum Moment <b>M<sub>z</sub></b>	2500 in.-lb	283 Nm	500 in.-lb	57 Nm

†Capacities are per set of jaws and are not simultaneous

BASIC MODEL VITON® SEALS

**RP-43P M - V**

METRIC

SENSOR ACCESSORIES\*

	ORDER #	QTY/UNIT
Sensor Mounting Kit (Imperial/Metric) (mounts 2 sensors)	<b>OSMK-023</b>	<b>1</b>
4mm NPN Inductive Sensor with Quick Disconnect*	<b>OISN-014</b>	<b>1 or 2</b>
4mm PNP Inductive Sensor with Quick Disconnect*	<b>OISP-014</b>	<b>1 or 2</b>
Quick Disconnect 2 Meter Cable Length*	<b>CABL-010</b>	<b>1 or 2</b>
Quick Disconnect 5 Meter Cable Length*	<b>CABL-013</b>	<b>1 or 2</b>

PNEUMATIC ACCESSORIES

	ORDER #	QTY/UNIT
Fail Safe Valve (Imperial)	<b>OFSV-002</b>	<b>1</b>
Fail Safe Valve (Metric)	<b>OFSV-005</b>	<b>1</b>
Stroke Limited Opening Valve (LTD)	<b>OLTD-002</b>	<b>1</b>
Standard Seal Repair Kit	<b>SLKT-051</b>	<b>1</b>
Viton® Seal Repair Kit	<b>SLKT-051V</b>	<b>1</b>

\*Sensor and cable sold separately.

