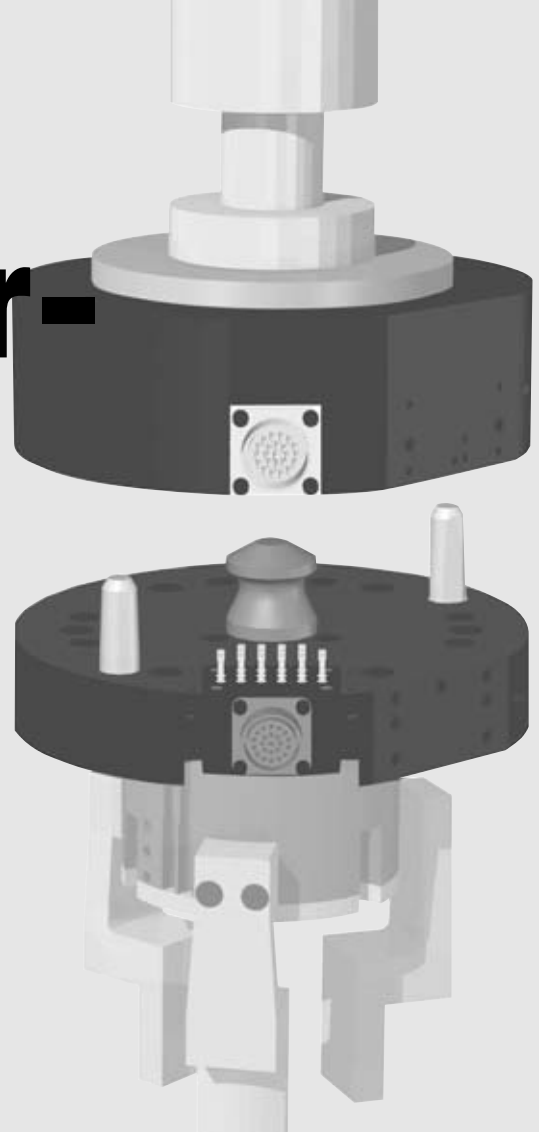


# QC Series Tool Changer- Medium Loads



• **Robotic applications:**

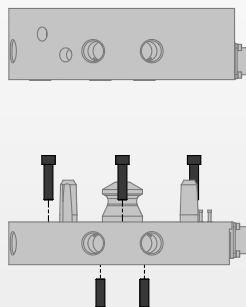
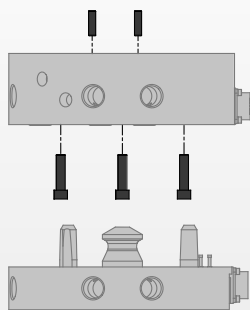
Perfect for those flexible/multiple tooling applications utilizing one Robot. This product was designed with exceptional repeatability, high rigidity & load capacity to make it ideal for any robotic application.

• **Automation applications:**

End effector tooling and interchangeable fixturing can be changed quickly and easily to accommodate many different styles of parts on the same assembly machine or machining center.

## Mounting Information:

Robot side has counterbored holes for mounting and two dowel pins for hole location (size 30 has pilot boss)



Tool side has counterbored holes for mounting and two dowel pins for hole location (size 30 has pilot boss)

## Technical Specifications:

**Pneumatic Specifications**

Pressure Operating Range  
Cylinder Type  
Valve Required to Operate

<b>Imperial</b>	<b>Metric</b>
40-100 psi	3-7 bar
<b>Double Acting, Spring Assist</b>	
<b>4-way, 2-position</b>	
<small>(except QC-30)</small>	

**Air Quality Requirements**

Air Filtration  
Air Lubrication  
Air Humidity

**40 Micron or Better**  
**Not Necessary\***  
**Low Moisture Content (dry)**

**Temperature Operating Range**

Buna-N Seals (standard)	<b>-30°~180° F</b>	<b>-35°~80° C</b>
-------------------------	--------------------	-------------------

**Maintenance Specifications†**

Expected Life  
Normal Application  
w/ Preventative Maintenance  
Field Repairable  
Seal Repair Kits Available

**5 million cycles**  
**10+ million cycles\*†**  
**Yes**  
**Yes**

† See Maintenance Section.

\*Addition of lubrication will greatly increase service life

**Application Restrictions**

- Dirty or gritty environments
- Machining operations generating chips
- Environments with loose particulate

**See Maintenance Section for:**

Exploded views and spare parts list.....	<b>6.18</b>
Drawing sections and assembly procedures .....	<b>6.19</b>
QC Series cross-reference .....	<b>6.20</b>
Tool Changer terminology .....	<b>6.56</b>

# Product Features

### Failsafe Operation

Failsafe locking spring keeps units coupled in the event of pressure loss

### Durable Components

Locking components are made from hardened bearing & tool steels

### Heavy Duty Locking Mechanism

Improved rigidity for heavy-duty and in-process changing

### Self Lubricating Seals

Self lubricating dynamic seals

### Offboard I/O Block

with heavy-duty pins offer reliable contact points

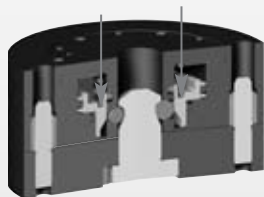
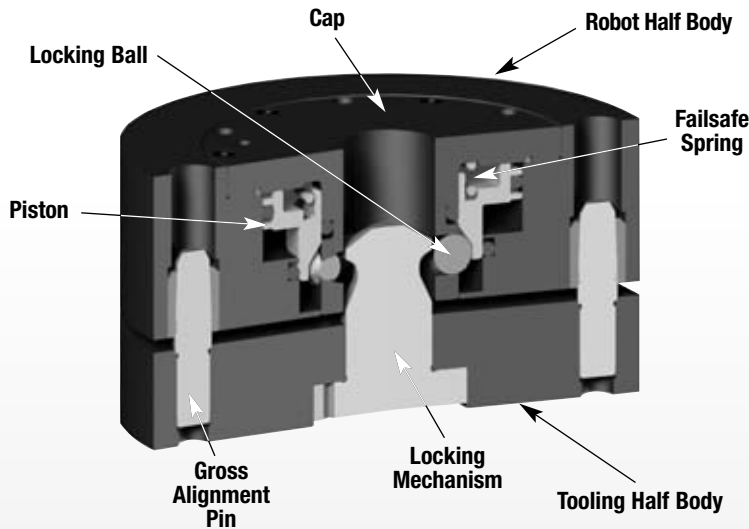
### Switches for Couple/Uncouple/Ready-to-Couple

Switch for latch (size 150 only)

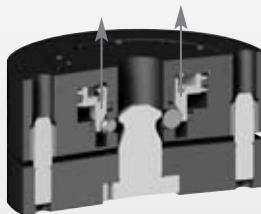
### Module Mounting Surface

Flat for optional pneumatic, fluid or electric module

# Operating Principle



Locked Position



Unlocked Position

- The tool half is inserted into the robot half.
- The robot half has a spring assisted double acting piston (QC-30 single acting only). When the piston is actuated the locking balls are driven under the locking mechanism. Thus locking the halves together.
- The fail-safe spring maintains the piston position in the event of pressure loss and the connected units must receive air pressure to de-couple.

## Style-QC Robot Half

### Size-30

Style:	QC-30	
Max. Payload:	30 lbs.	13.6 Kg
Max. Moment:	200 in-lbs.	22.6 Nm
Weight:	0.50 lbs.	0.23 Kg



See Page **6.4**

## Style-TP Tool Half

### Size-30

Style:	TP-30	
Max. Payload:	30 lbs.	13.6 Kg
Max. Moment:	200 in-lbs.	22.6 Nm
Weight:	0.25 lbs.	0.11 Kg



See Page **6.5**

## Style-QC Robot Half

### Size-60

Style:	QC-60	
Max. Payload:	60 lbs.	27 Kg
Max. Moment:	780 in-lbs.	88.1 Nm
Weight:	1.9 lbs.	0.86 Kg



See Page **6.6**

## Style-TP Tool Half

### Size-60

Style:	TP-60	
Max. Payload:	60 lbs.	27 Kg
Max. Moment:	780 in-lbs.	88.1 Nm
Weight:	0.90 lbs.	0.41 Kg



See Page **6.7**

## Style-QC Robot Half

### Size-60 10-Port

Style:	QC-60 10-Port	
Max. Payload:	60 lbs.	27 Kg
Max. Moment:	780 in-lbs.	88.1 Nm
Weight:	1.9 lbs.	0.86 Kg



See Page **6.8**

## Style-TP Tool Half

### Size-60 10-Port

Style:	TP-60 10-Port	
Max. Payload:	60 lbs.	27 Kg
Max. Moment:	780 in-lbs.	88.1 Nm
Weight:	0.90 lbs.	0.41 Kg



See Page **6.9**

## Style-QC Robot Half

### Size-150

Style:	QC-150	
Max. Payload:	150 lbs.	68 Kg
Max. Moment:	1900 in-lbs.	215 Nm
Weight:	4.8 lbs.	2.2 Kg



See Page **6.10**

## Style-TP Tool Half

### Size-150

Style:	TP-150	
Max. Payload:	150 lbs.	68 Kg
Max. Moment:	1900 in-lbs.	215 Nm
Weight:	2.3 lbs.	1.0 Kg

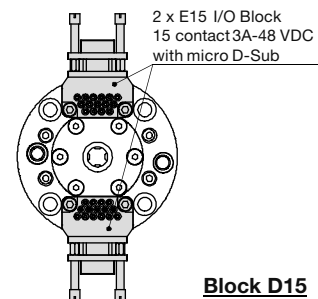
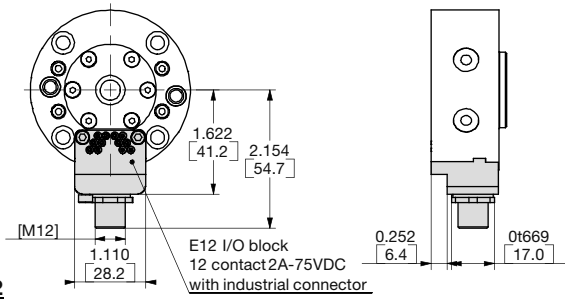
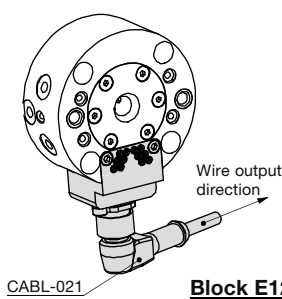
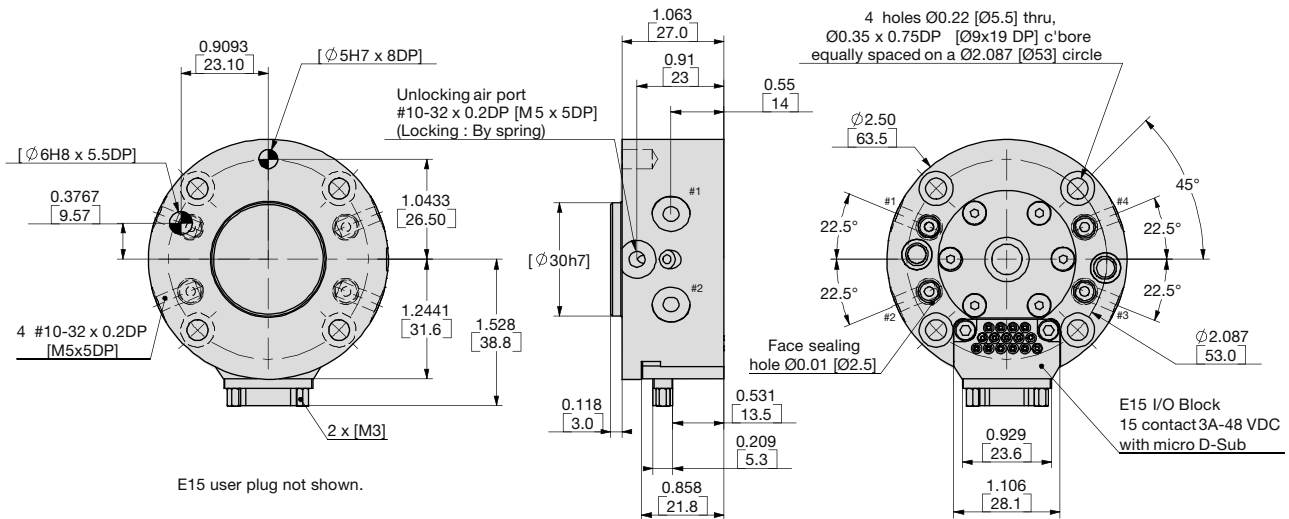


See Page **6.11**

## Options and Accessories

See Page **6.12**

# TOOL CHANGER QC-30 ROBOT ADAPTER MODULE



## Specifications

	QC-30	
Maximum Payload	30 lbs	13.6 Kg
Maximum Moment Rating	200 in.-lbs	22.6 Nm
Weight of QC Unit only	0.50 lbs	0.23 Kg
Weight of Coupled Units	0.75 lbs	0.34 Kg
Pressure Range (locked cylinder) ...	40-100 psi	3-7 bar
Bore Ø	1.00 in	25.4 mm
Displacement	0.24 in³	3.9 cm³
Temperature Range	-30°~180° F	-35°~80° C
Repeatability	± 0.001 in.	± 0.025 mm
Valve required to actuate	3-way, 2-position	

## UNLESS OTHERWISE NOTED ALL TOLERANCES ARE AS SHOWN BELOW

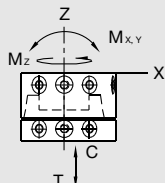
Symbol	Imperial in.	Metric [mm]
⊕	0.00 ± .01	[0.] = [± 25]
⊖	0.000 ± .005	[0.0] = [± 13]
⊙	0.0000 ± .0005	[0.00] = [± 0.13]

Dimensions are symmetrical about centerline  
Third Angle Projection  
All Dowel Holes are SF (Slip Fit). Locational Tolerance ±.0005" or [±.013mm]  
Metric Threads Course Pitch

QC SERIES

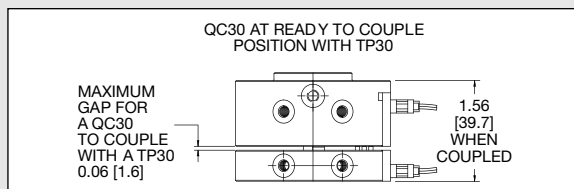
6.4

## Loading Information

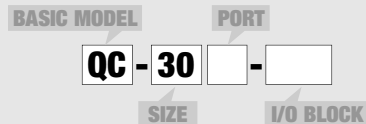


### Loading Capacity

	Imperial	Metric
Maximum Tensile <b>T</b>	70 lbs.	311 N
Maximum Compressive <b>C</b>	100 lbs.	445 N
Maximum Moment <b>M<sub>x</sub></b>	200 in.-lbs.	22.6 Nm
Maximum Moment <b>M<sub>y</sub></b>	200 in.-lbs.	22.6 Nm
Maximum Moment <b>M<sub>z</sub></b>	200 in.-lbs.	22.6 Nm



## How to Order: (Order Accessories separately from Basic Model)



PORT	BLANK M	Imperial Metric
I/O BLOCK	E15	15 Pin I/O Block with Micro D-Sub Connector, w/1.2M Cordset
	D15	2X 15 Pin I/O Block with Micro D-Sub Conn, w/1.2M Cordset
	E12	12 Pin I/O Block with Turck M12 Connector, w/o Cordset
	0	without I/O Block

### REPLACEMENT I/O MODULE ACCESSORIES

	ORDER #	QTY/UNIT
15 Pin I/O Block with Micro D-Sub Connector, w/1.2M Cordset	KE15-QC30	1
12 Pin I/O Block with Turck M12 Connector, w/o Cordset	KE12-QC30	1
Straight Male Cordset 1.2M for E15	CABL-024	1
90° Female Cordset 4M for E12	CABL-021	1

### ADAPTER PLATES

Consult Factory

### PNEUMATIC ACCESSORIES

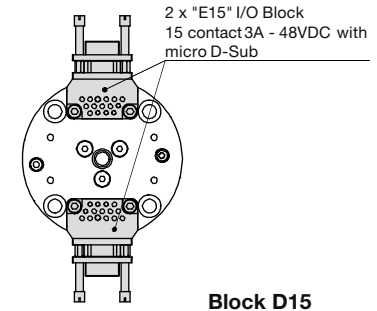
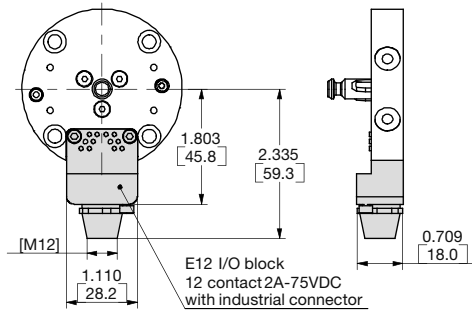
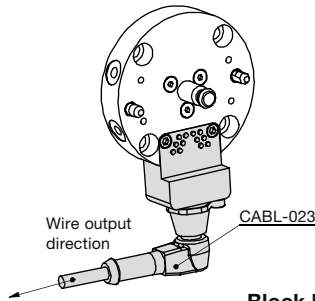
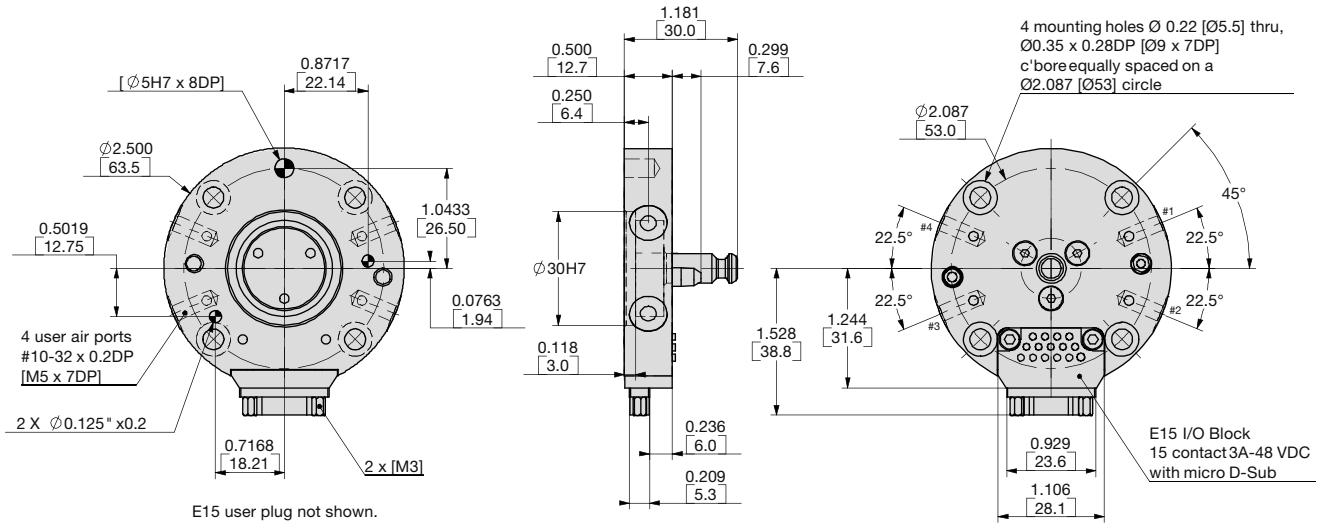
Seal Repair Kit	SLKT-387	1
Face Seal Repair Kit	SLKT-388	1

Please see back cover for DE-STA-CO Global Locations. [www.destaco.com](http://www.destaco.com)

[www.comoso.com](http://www.comoso.com)



# TOOL CHANGER TP-30 TOOLING ADAPTER MODULE



## Specifications

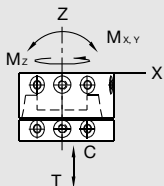
### TP-30

Maximum Payload	30 lbs	13.6 Kg
Maximum Moment Rating	200 in.-lbs	22.6 Nm
Weight of TP Unit only	0.25 lbs	0.11 Kg
Weight of Coupled Units	0.75 lbs	0.34 Kg
Temperature Range	-30°~180° F	-35°~80° C
Repeatability	± 0.001 in.	±0.025 mm

## UNLESS OTHERWISE NOTED ALL TOLERANCES ARE AS SHOWN BELOW

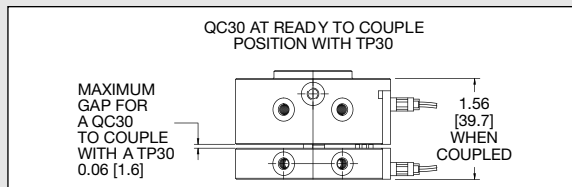
Dimensions are symmetrical about centerline	Third Angle Projection	All Dowel Holes are SF (Slip Fit). Locational Tolerance ±.0005" or [±.013mm]	Metric Threads Course Pitch	<b>Imperial in.</b> 0.00 = ±.01 0.000 = ±.005 0.0000 = ±.0005	<b>Metric [mm]</b> [0.] = [±.25] [0.0] = [±.13] [0.00] = [±.013]
---	------------------------	---	--------------------------------	--	---

## Loading Information

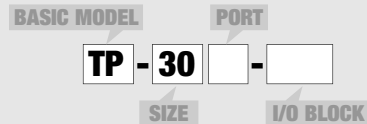


### Loading Capacity

	Imperial	Metric
Maximum Tensile <b>T</b>	70 lbs.	311 N
Maximum Compressive <b>C</b>	100 lbs.	445 N
Maximum Moment <b>M<sub>x</sub></b>	200 in.-lbs.	22.6 Nm
Maximum Moment <b>M<sub>y</sub></b>	200 in.-lbs.	22.6 Nm
Maximum Moment <b>M<sub>z</sub></b>	200 in.-lbs.	22.6 Nm



## How to Order: (Order Accessories separately from Basic Model)

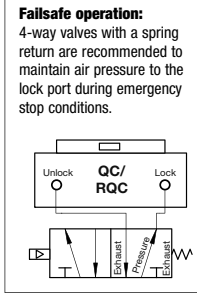
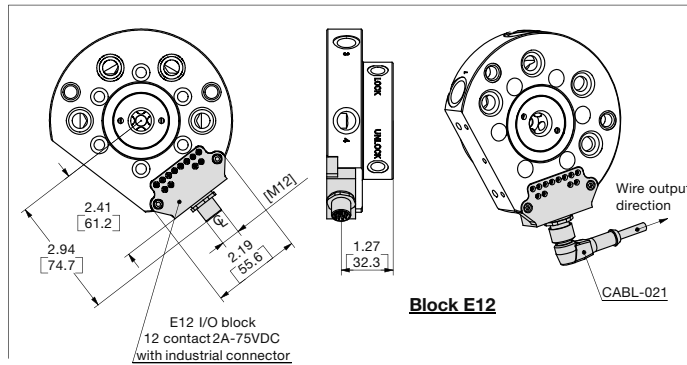
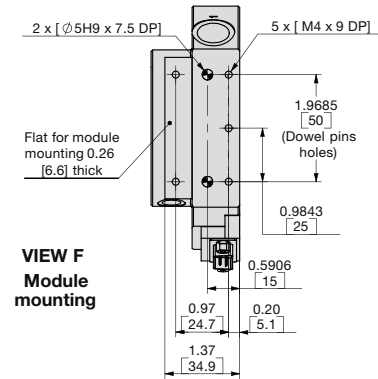
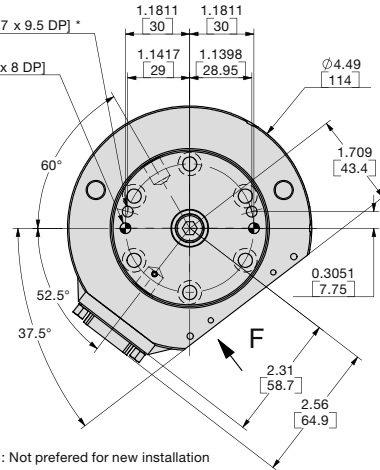
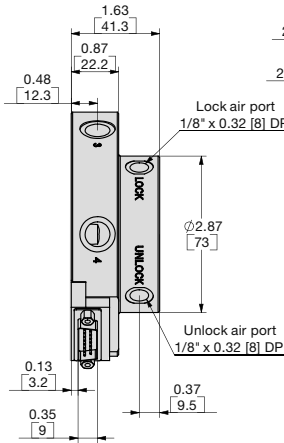
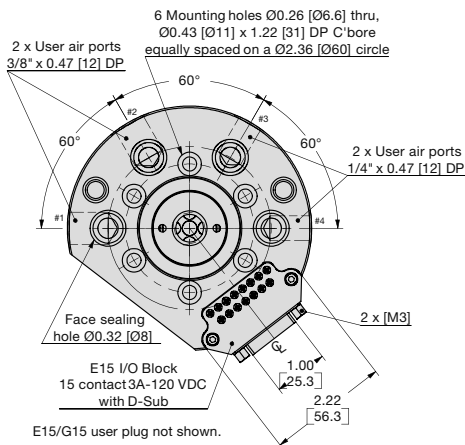


PORT	BLANK M	Imperial Metric
<b>I/O BLOCK</b>	<b>E15</b>	15 Pin I/O Block with Micro D-Sub Connector, w/1.2M Cordset
	<b>D15</b>	2X 15 Pin I/O Block with Micro D-Sub Conn, w/1.2M Cordset
	<b>E12</b>	12 Pin I/O Block with Turck M12 Connector, w/o Cordset
	<b>0</b>	without I/O Block

### REPLACEMENT I/O MODULE ACCESSORIES

	ORDER #	QTY/UNIT
15 Pin I/O Block with Micro D-Sub Connector, w/1.2M Cordset	<b>KE15-TP30</b>	<b>1</b>
12 Pin I/O Block with Turck M12 Connector, w/o Cordset	<b>KE12-TP30</b>	<b>1</b>
Straight Male Cordset 1.2M for E15	<b>CABL-024</b>	<b>1</b>
90° Male Cordset 2M for E12	<b>CABL-023</b>	<b>1</b>

# TOOL CHANGER QC-60 ROBOT ADAPTER MODULE



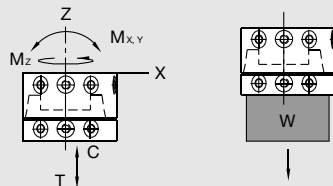
## Specifications

	QC-60	
Maximum Payload	60 lbs	27 Kg
Maximum Moment Rating	780 in.-lbs	88.1 Nm
Weight of QC Unit only	1.9 lb	0.86 Kg
Weight of Coupled Units	2.8 lbs	1.27 Kg
Pressure Range (locked cylinder)	40-100 psi	3-7 bar
Bore $\varnothing$	1.75 in.	44.5 mm
Displacement	0.56 in. <sup>3</sup>	9.2 cm <sup>3</sup>
Temperature Range	-30°~180° F	-35°~80° C
Repeatability	± 0.001 in.	± 0.025 mm
Valve required to actuate	4-way, 2-position	

## UNLESS OTHERWISE NOTED ALL TOLERANCES ARE AS SHOWN BELOW

	Imperial in.	Metric [mm]
Dimensions are symmetrical about centerline	0.00 = ±.01	[0.] = [±.25]
Third Angle Projection	0.000 = ±.005	[0.0] = [±.13]
All Dowel Holes are SF (Slip Fit). Locational Tolerance ±.0005" or [±.013mm]	0.0000 = ±.0005	[0.00] = [±.013]
Metric Threads Course Pitch		

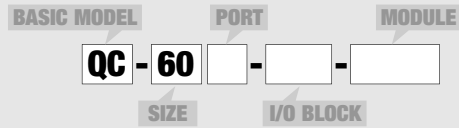
## Loading Information



### Loading Capacity

	Imperial	Metric
Maximum Tensile <b>T</b>	100 lbs.	445 N
Maximum Compressive <b>C</b>	120 lbs.	534 N
Maximum Moment <b>M<sub>x</sub></b>	780 in.-lbs.	88.1 Nm
Maximum Moment <b>M<sub>y</sub></b>	780 in.-lbs.	88.1 Nm
Maximum Moment <b>M<sub>z</sub></b>	780 in.-lbs.	88.1 Nm

## How to Order: (Order Accessories separately from Basic Model)



**PORT:**  
**Blank** NPT port  
**M** BSPP ports  
**A** BSPT ports

### I/O BLOCK

- E15** 15 Pin I/O Block with D-Sub Connector and User Plug, without Cable
- G15\*** 15 Pin I/O Block Non-Recessed, with D-Sub Connector and User Plug, without Cable
- E12** 12 Pin I/O Block w/Turck M12 Conn, w/o Cordset
- O** without I/O Block

\*For previous installations only. New Installations use E15.

### REPLACEMENT I/O MODULE ACCESSORIES

- 15 Pin I/O Block with D-Sub Connector and User Plug, w/o Cable
- 15 Pin I/O Block Non-Recessed, with D-Sub Connector and User Plug, w/o Cable
- 12 Pin I/O Block with Turck M12 Connector, w/o Cordset
- Straight Female D-Sub User Plug, w/o Cable, Solder Type for E15/G15
- 90° Female Cordset 4M for E12

### ADAPTER PLATES

Consult Factory

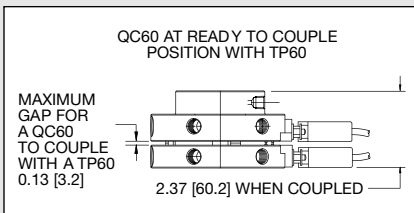
### PNEUMATIC ACCESSORIES

- Seal Repair Kit
- Face Seal Repair Kit

### MODULE:

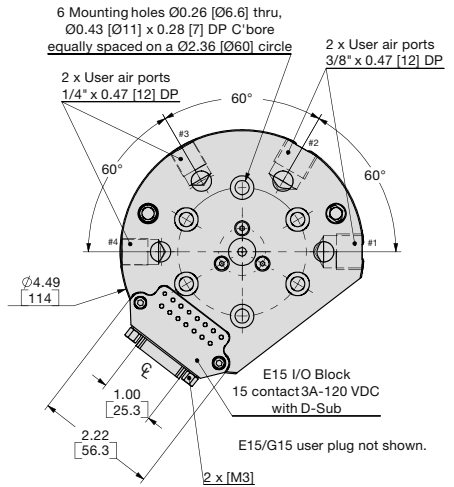
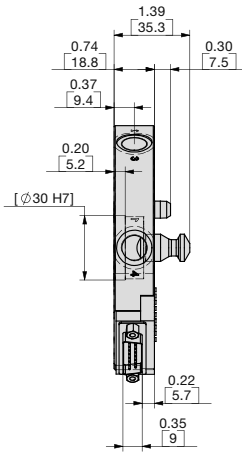
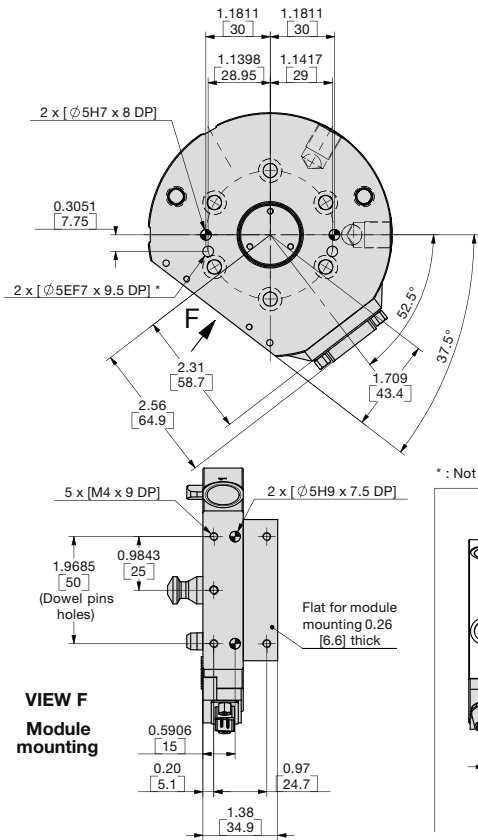
- E26** 26 pin, 5A Module w/Ind. User Connector
- E19** 19 pin, 5A Module w/Ind. User Connector
- E10** 10 pin, 13A Module w/Ind. User Connector
- PN18** 4X 1/8" NPT Pneumatic Ports, 10 bar
- PP18** 4X 1/8" BSPP Pneumatic Ports, 10 bar
- PT18** 4X 1/8" BSPT Pneumatic Ports, 10 bar
- PN14** 2X 1/4" NPT Pneumatic Ports, 10 bar
- PP14** 2X 1/4" BSPP Pneumatic Ports, 10 bar
- PT14** 2X 1/4" BSPT Pneumatic Ports, 10 bar
- HN38** 2X 3/8" NPT Fluid Ports, 100 bar

ORDER #	QTY/UNIT
<b>KE15-QC60</b>	<b>1</b>
<b>KG15-QC60</b>	<b>1</b>
<b>KE12-QC60</b>	<b>1</b>
<b>ELCT-047</b>	<b>1</b>
<b>CABL-021</b>	<b>1</b>
<b>SLKT-389</b>	<b>1</b>
<b>SLKT-390</b>	<b>1</b>

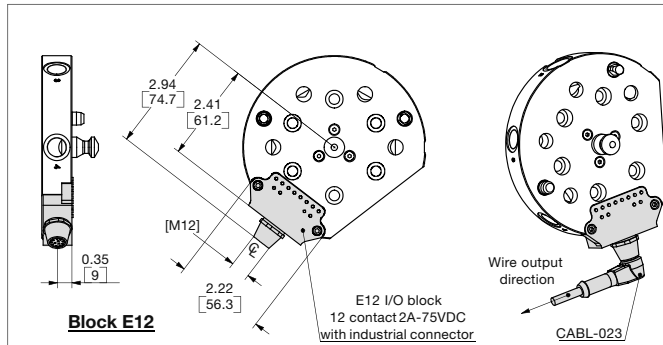




# TOOL CHANGER TP-60 TOOLING ADAPTER MODULE



\* : Not preferred for new installation



## Specifications

## TP-60

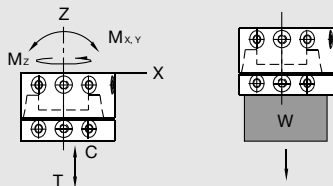
Maximum Payload .....	60 lbs	27 Kg
Maximum Moment Rating .....	780 in.-lbs	88 Nm
Weight of TP Unit only .....	0.90 lb	0.41 Kg
Weight of Coupled Units .....	2.8 lbs	1.27 Kg
Temperature Range .....	-30°~180° F	-35°~80° C
Repeatability .....	± 0.001 in.	± 0.025 mm

## UNLESS OTHERWISE NOTED ALL TOLERANCES ARE AS SHOWN BELOW

Dimensions are symmetrical about centerline	Third Angle Projection	All Dowel Holes are SF (Slip Fit). Locational Tolerance ±.0005" or [±.013mm]	Metric Threads Course Pitch	<b>Imperial in.</b> 0.00 = ±.01 0.000 = ±.005 0.0000 = ±.0005	<b>Metric [mm]</b> [0.] = [±.25] [0.0] = [±.13] [0.00] = [±.013]
---	------------------------	--	-----------------------------	--	---

## Loading Information

## How to Order: (Order Accessories separately from Basic Model)



### Loading Capacity

	Imperial	Metric
Maximum Tensile <b>T</b>	100 lbs.	445 N
Maximum Compressive <b>C</b>	120 lbs.	534 N
Maximum Moment <b>M<sub>x</sub></b>	780 in.-lbs.	88.1 Nm
Maximum Moment <b>M<sub>y</sub></b>	780 in.-lbs.	88.1 Nm
Maximum Moment <b>M<sub>z</sub></b>	780 in.-lbs.	88.1 Nm

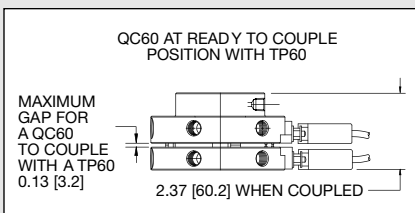
### I/O BLOCK

- E15** 15 Pin I/O Block with D-Sub Connector and User Plug, without Cable
- G15\*** 15 Pin I/O Block Non-Recessed, with D-Sub Connector and User Plug, without Cable
- E12** 12 Pin I/O Block w/Turck M12 Conn, w/o Cordset
- O** without I/O Block

\*For previous installations only. New Installations use E15.

### MODULE:

- E26** 26 pin, 5A Module w/Ind. User Connector
- E19** 19 pin, 5A Module w/Ind. User Connector
- E10** 10 pin, 13A Module w/Ind. User Connector
- PN18** 4X 1/8" NPT Pneumatic Ports, 10 bar
- PP18** 4X 1/8" BSPP Pneumatic Ports, 10 bar
- PT18** 4X 1/8" BSPT Pneumatic Ports, 10 bar
- PN14** 2X 1/4" NPT Pneumatic Ports, 10 bar
- PP14** 2X 1/4" BSPP Pneumatic Ports, 10 bar
- PT14** 2X 1/4" BSPT Pneumatic Ports, 10 bar
- HN38** 2X 3/8" NPT Fluid Ports, 100 bar



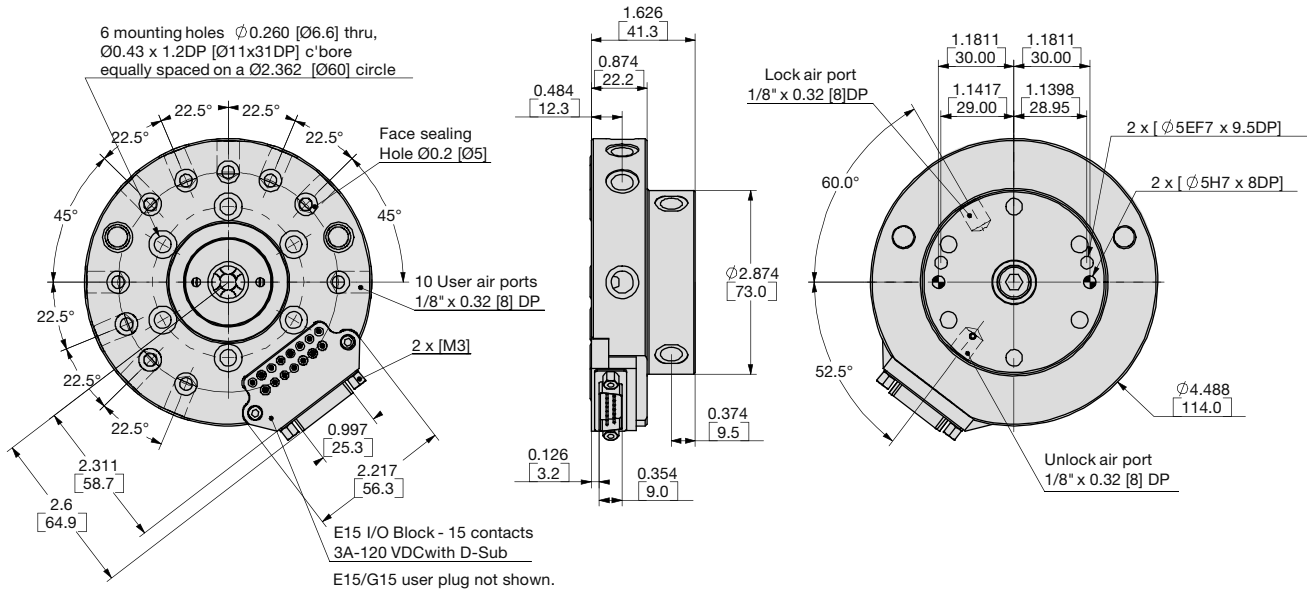
### REPLACEMENT I/O MODULE ACCESSORIES

- 15 Pin I/O Block with D-Sub Connector and User Plug, w/o Cable
- 15 Pin I/O Block Non-Recessed, with D-Sub Connector and User Plug, w/o Cable
- 12 Pin I/O Block with Turck M12 Connector, w/o Cordset
- Straight Female D-Sub User Plug, w/o Cable, Solder Type for E15/G15
- 90° Male Cordset 2M for E12

### ORDER # QTY/UNIT

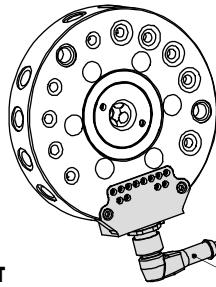
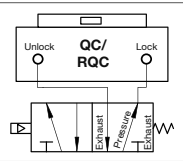
<b>KE15-TP60</b>	<b>1</b>
<b>KG15-TP60</b>	<b>1</b>
<b>KE12-TP60</b>	<b>1</b>
<b>ELCT-047</b>	<b>1</b>
<b>CABL-023</b>	<b>1</b>

# TOOL CHANGER QC-60 10-PORT ROBOT ADAPTER MODULE

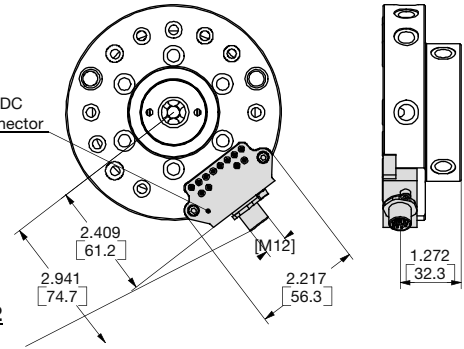


### Failsafe operation:

4-way valves with a spring return are recommended to maintain air pressure to the lock port during emergency stop conditions.



E12 I/O block 12 contact 3A-75VDC with industrial connector



### Specifications

### QC-60 10-PORT

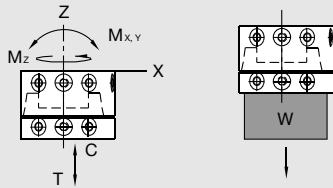
Maximum Payload	60 lbs	27 Kg
Maximum Moment Rating	780 in.-lbs	88.1 Nm
Weight of QC Unit only	1.9 lb	0.86 Kg
Weight of Coupled Units	2.8 lbs	1.27 Kg
Pressure Range (locked cylinder)	40-100 psi	3-7 bar
Bore $\varnothing$	1.75 in.	44.5 mm
Displacement	0.56 in <sup>3</sup>	9.2 cm <sup>3</sup>
Temperature Range	-30°~180° F	-35°~80° C
Repeatability	$\pm 0.001$ in.	$\pm 0.025$ mm
Valve required to actuate	4-way, 2-position	

### UNLESS OTHERWISE NOTED ALL TOLERANCES ARE AS SHOWN BELOW

Dimensions are symmetrical about centerline	Third Angle Projection	All Dowel Holes are SF (Slip Fit). Locational Tolerance $\pm.0005"$ or [±.013mm]	Metric Threads Course Pitch	<b>Imperial in.</b> 0.00 = $\pm 0.01$ 0.000 = $\pm 0.005$ 0.0000 = $\pm 0.0005$	<b>Metric [mm]</b> [0.] = [±.25] [0.0] = [±.13] [0.00] = [±.013]
---	------------------------	--	-----------------------------	--	---

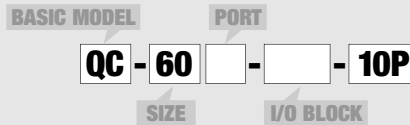
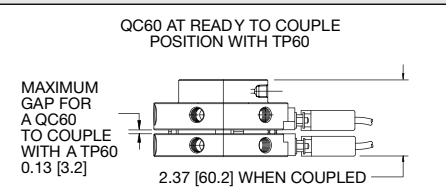
## Loading Information

## How to Order: (Order Accessories separately from Basic Model)



### Loading Capacity

	Imperial	Metric
Maximum Tensile <b>T</b>	100 lbs.	445 N
Maximum Compressive <b>C</b>	120 lbs.	534 N
Maximum Moment <b>M<sub>x</sub></b>	780 in.-lbs.	88.1 Nm
Maximum Moment <b>M<sub>y</sub></b>	780 in.-lbs.	88.1 Nm
Maximum Moment <b>M<sub>z</sub></b>	780 in.-lbs.	88.1 Nm



### PORT:

- Blank** NPT port
- M** BSPP ports
- A** BSPT ports

### I/O BLOCK

- E15** 15 Pin I/O Block with D-Sub Connector and User Plug, w/o Cable
- G15\*** 15 Pin I/O Block Non-Recessed, w/D-Sub Connector and User Plug, w/o Cable
- E12** 12 Pin I/O Block w/Turk M12 Connector, w/o Cordset
- 0** without I/O Block

\*For previous installations only. New Installations use E15.

### REPLACEMENT I/O MODULE ACCESSORIES

	ORDER #	QTY/UNIT
15 Pin I/O Block with D-Sub Connector and User Plug, w/o Cable	<b>KE15-QC60</b>	<b>1</b>
15 Pin I/O Block Non-Recessed, w/D-Sub Connector, User Plug, w/o Cable	<b>KG15-QC60</b>	<b>1</b>
12 Pin I/O Block with Turk M12 Connector, w/o Cordset	<b>KE12-QC60</b>	<b>1</b>
Straight Female D-Sub User Plug, w/o Cable, Solder Type for E15/G15	<b>ELCT-047</b>	<b>1</b>
90° Female Cordset 4M for E12	<b>CABL-021</b>	

### ADAPTER PLATES

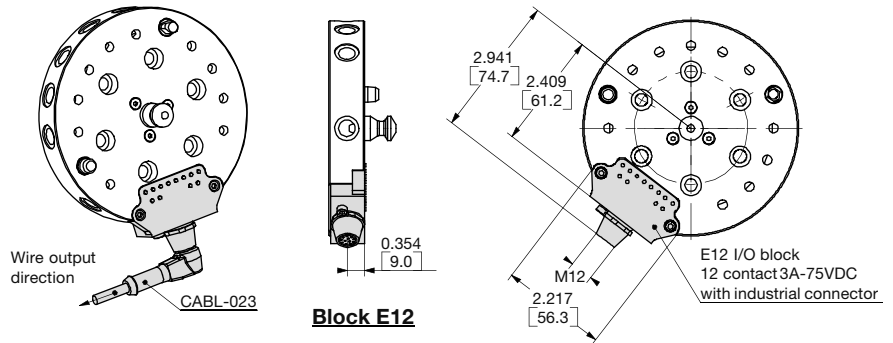
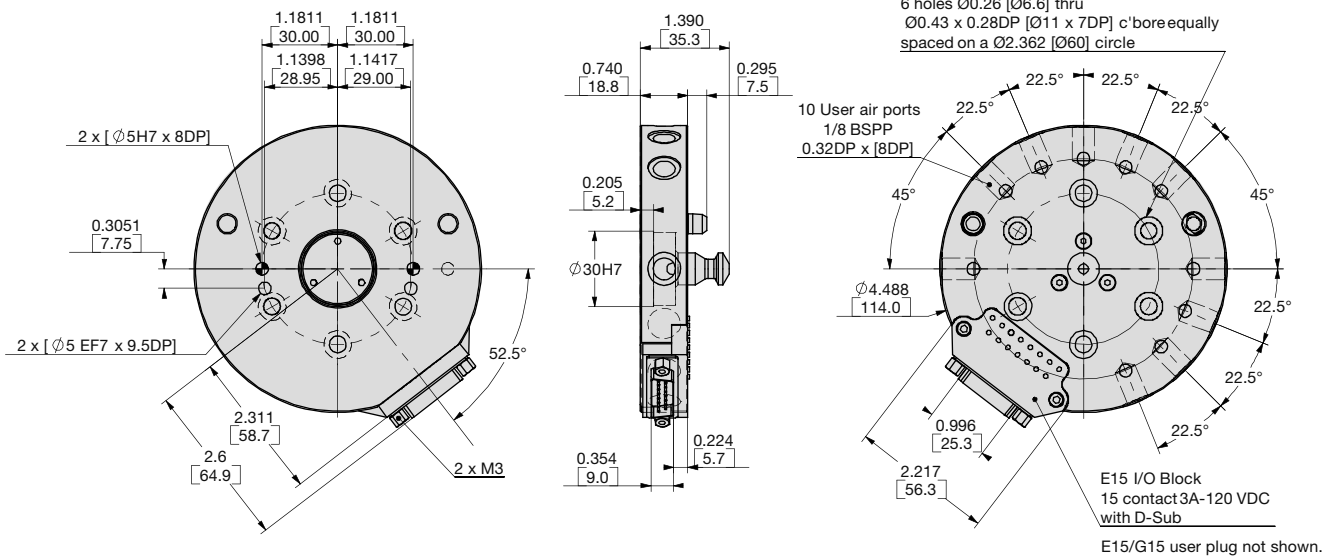
Consult Factory

### PNEUMATIC ACCESSORIES

Seal Repair Kit	<b>SLKT-389</b>	<b>1</b>
Face Seal Repair Kit	<b>SLKT-392</b>	<b>1</b>



# TOOL CHANGER TP-60 10-PORT TOOLING ADAPTER MODULE



## Specifications

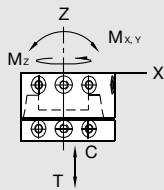
### TP-60 10-PORT

Maximum Payload	60 lbs	27 Kg
Maximum Moment Rating	780 in.-lbs	88 Nm
Weight of TP Unit only	0.90 lb	0.41 Kg
Weight of Coupled Units	2.8 lbs	1.27 Kg
Temperature Range	-30°~180° F	-35°~80° C
Repeatability	± 0.001 in.	±0.025 mm

## UNLESS OTHERWISE NOTED ALL TOLERANCES ARE AS SHOWN BELOW

Dimensions are symmetrical about centerline	Third Angle Projection	All Dowel Holes are SF (Slip Fit). Locational Tolerance ±.0005" or [±.013mm]	Metric Threads Course Pitch	<b>Imperial in.</b> 0.00 = ±.01 0.000 = ±.005 0.0000 = ±.0005	<b>Metric [mm]</b> [0.] = [±.25] [0.0] = [±.13] [0.00] = [±.013]
---	------------------------	--	-----------------------------	--	---

## Loading Information



### Loading Capacity

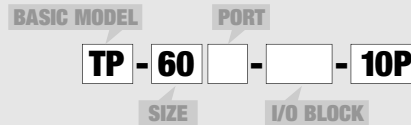
	Imperial	Metric
Maximum Tensile <b>T</b>	100 lbs.	445 N
Maximum Compressive <b>C</b>	120 lbs.	534 N
Maximum Moment <b>M<sub>x</sub></b>	780 in.-lbs.	88.1 Nm
Maximum Moment <b>M<sub>y</sub></b>	780 in.-lbs.	88.1 Nm
Maximum Moment <b>M<sub>z</sub></b>	780 in.-lbs.	88.1 Nm

QC60 AT READY TO COUPLE POSITION WITH TP60

MAXIMUM GAP FOR A QC60 TO COUPLE WITH A TP60 0.13 [3.2]

2.37 [60.2] WHEN COUPLED

## How to Order: (Order Accessories separately from Basic Model)



### PORT:

- Blank** NPT port
- M** BSPP ports
- A** BSPT ports

### I/O BLOCK

- E15** 15 Pin I/O Block with D-Sub Connector and User Plug, w/o Cable
- G15\*** 15 Pin I/O Block Non-Recessed, w/D-Sub Connector and User Plug, w/o Cable
- E12** 12 Pin I/O Block w/Turk M12 Connector, w/o Cordset
- 0** without I/O Block

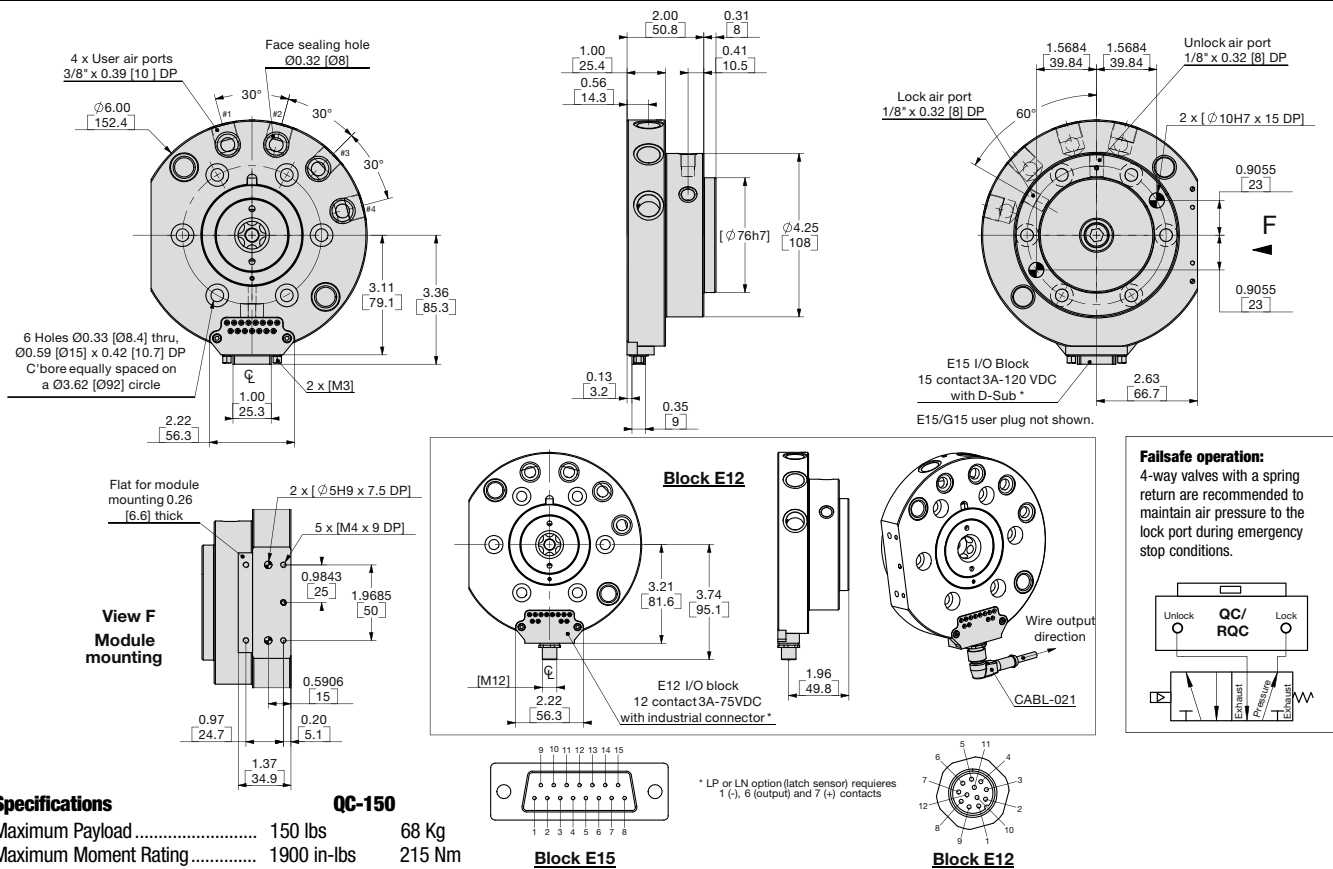
\*For previous installations only. New Installations use E15.

### REPLACEMENT I/O MODULE ACCESSORIES

	ORDER #	QTY/UNIT
15 Pin I/O Block with D-Sub Connector and User Plug, w/o Cable	<b>KE15-TP60</b>	<b>1</b>
15 Pin I/O Block Non-Recessed, w/D-Sub Connector, User Plug, w/o Cable	<b>KG15-TP60</b>	<b>1</b>
12 Pin I/O Block with Turk M12 Connector, w/o Cordset	<b>KE12-TP60</b>	<b>1</b>
Straight Female D-Sub User Plug, w/o Cable, Solder Type for E15/G15	<b>ELCT-047</b>	<b>1</b>
90° Male Cordset 2M for E12	<b>CABL-023</b>	<b>1</b>



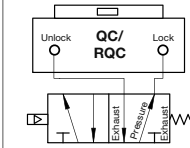
# TOOL CHANGER QC-150 ROBOT ADAPTER MODULE



### Specifications

	QC-150	
Maximum Payload .....	150 lbs	68 Kg
Maximum Moment Rating .....	1900 in.-lbs	215 Nm
Weight of QC Unit only .....	4.8 lb	2.2 Kg
Weight of Coupled Units .....	7.1 lbs	3.2 Kg
Pressure Range (locked cylinder) ...	40-100 psi	3-7 bar
Bore Ø .....	2.63 in.	66.8 mm
Displacement .....	1.55 in <sup>3</sup>	25.4 cm <sup>3</sup>
Temperature Range .....	-30°~180° F	-35°~80° C
Repeatability .....	± 0.001 in.	± 0.025 mm
Valve required to actuate .....	4-way, 2-position	

**Failsafe operation:**  
4-way valves with a spring return are recommended to maintain air pressure to the lock port during emergency stop conditions.

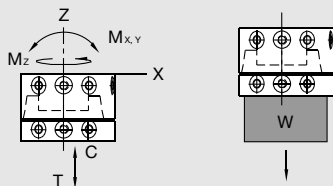


### UNLESS OTHERWISE NOTED ALL TOLERANCES ARE AS SHOWN BELOW

Imperial in.	Metric [mm]
0.00 = ± .01	[0.] = [± .25]
0.000 = ± .005	[0.0] = [± .13]
0.0000 = ± .0005	[0.00] = [± .013]

## Loading Information

## How to Order: (Order Accessories separately from Basic Model)



Loading Capacity	Imperial	Metric
Maximum Tensile <b>T</b>	200 lbs.	890 N
Maximum Compressive <b>C</b>	300 lbs.	1334 N
Maximum Moment <b>M<sub>x</sub></b>	1900 in.-lbs.	214 Nm
Maximum Moment <b>M<sub>y</sub></b>	1900 in.-lbs.	214 Nm
Maximum Moment <b>M<sub>z</sub></b>	1900 in.-lbs.	214 Nm

### PORT:

- Blank** NPT port
- M** BSPP ports
- A** BSPT ports

### I/O BLOCK

- E15** 15 Pin I/O Block with D-Sub Connector and User Plug, without Cable
- G15\*** 15 Pin I/O Block Non-Recessed, with D-Sub Connector and User Plug, without Cable
- E12** 12 Pin I/O Block w/Turck M12 Conn, w/o Cordset
- 0** without I/O Block

\*For previous installations only. New Installations use E15.

### SENSING:

- LP** PNP Inductive Latch Sensor
- LN** NPN Inductive Latch Sensor
- 0** without Sensing

### REPLACEMENT I/O MODULE ACCESSORIES

- 15 Pin I/O Block with D-Sub Connector and User Plug, w/o Cable
- 15 Pin I/O Block Non-Recessed, w/D-Sub Connector, User Plug, w/o Cable
- 12 Pin I/O Block with Turck M12 Connector, w/o Cordset
- Straight Female D-Sub User Plug, w/o Cable, Solder Type for E15/G15
- 90° Female Cordset 4M for E12
- NPN Inductive Sensor Repair Kit
- PNP Inductive Sensor Repair Kit

### ADAPTER PLATES

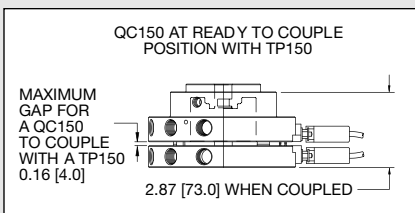
Consult Factory

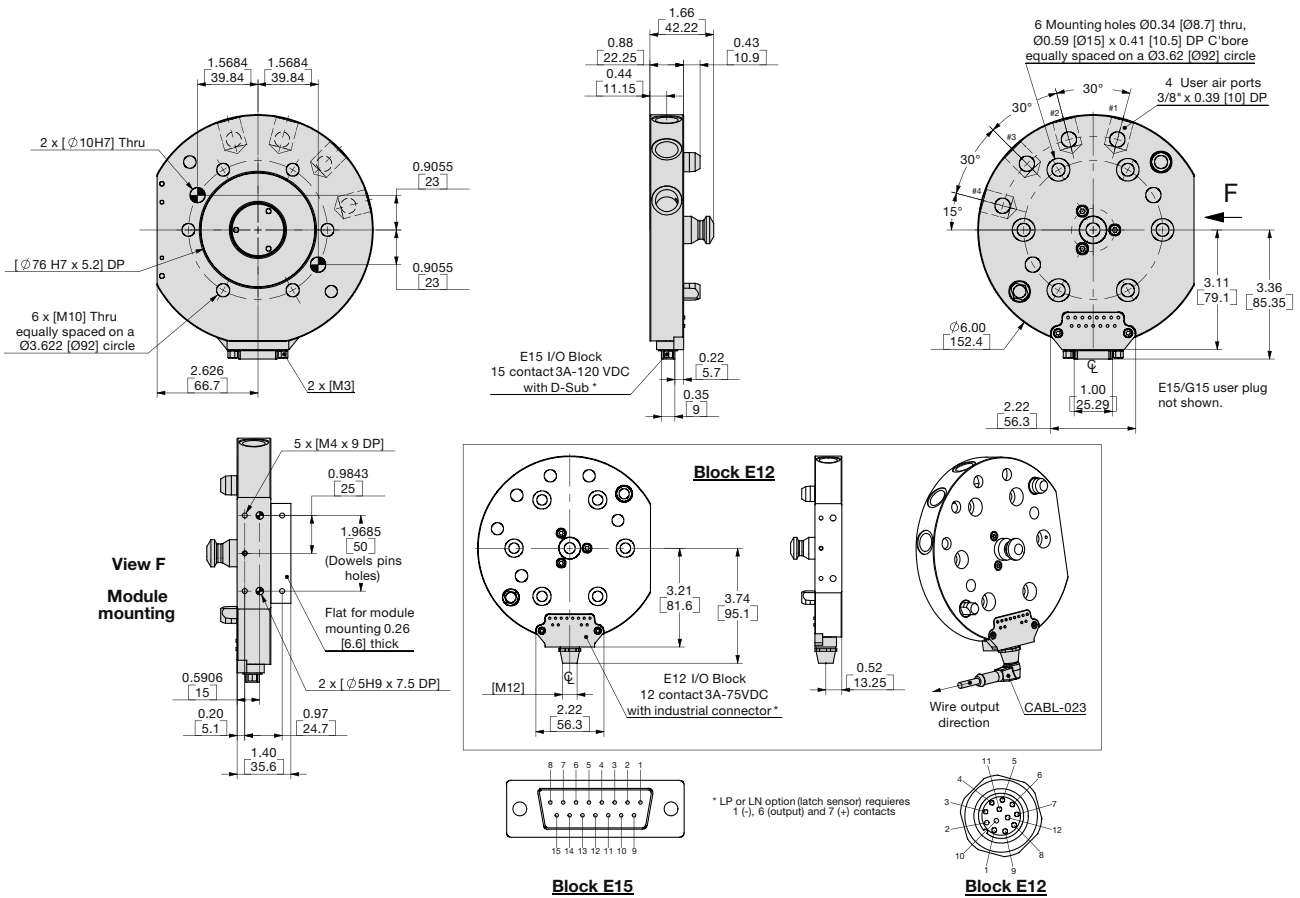
### PNEUMATIC ACCESSORIES

- Seal Repair Kit
- Face Seal Repair Kit

ORDER #	QTY/UNIT
<b>KE15-QC150</b>	<b>1</b>
<b>KG15-QC150</b>	<b>1</b>
<b>KE12-QC150</b>	<b>1</b>
<b>ELCT-047</b>	<b>1</b>
<b>CABL-021</b>	<b>1</b>
<b>OSRK-009</b>	<b>1</b>
<b>OSRK-010</b>	<b>1</b>

<b>SLKT-393</b>	<b>1</b>
<b>SLKT-390</b>	<b>1</b>





### Specifications

### TP-150

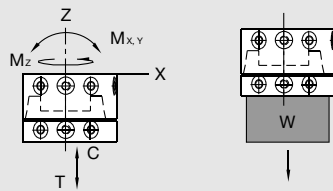
Maximum Payload	150 lbs	68 Kg
Maximum Moment Rating	1900 in.-lbs	215 Nm
Weight of TP Unit only	2.3 lb	1.0 Kg
Weight of Coupled Units	7.1 lbs	3.2 Kg
Temperature Range	-30°~180° F	-35°~80° C
Repeatability	± 0.001 in.	±0.025 mm

**UNLESS OTHERWISE NOTED ALL TOLERANCES ARE AS SHOWN BELOW**

	Imperial in.	Metric [mm]
Dimensions are symmetrical about centerline	0.00 = ±.01	[0.] = [±.25]
Third Angle Projection	0.000 = ±.0005	[0.0] = [±.13]
All Dowel Holes are SF (Slip Fit). Locational Tolerance ±.0005" or [±.013mm]	0.0000 = ±.0005	[0.000] = [±.013]
Metric Threads Course Pitch		

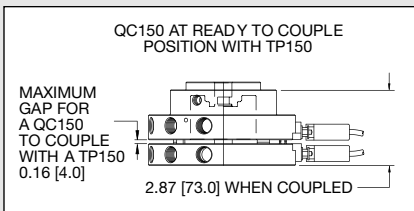
### Loading Information

### How to Order: (Order Accessories separately from Basic Model)



### Loading Capacity

	Imperial	Metric
Maximum Tensile <b>T</b>	200 lbs.	890 N
Maximum Compressive <b>C</b>	300 lbs.	1334 N
Maximum Moment <b>M<sub>x</sub></b>	1900 in.-lbs.	214 Nm
Maximum Moment <b>M<sub>y</sub></b>	1900 in.-lbs.	214 Nm
Maximum Moment <b>M<sub>z</sub></b>	1900 in.-lbs.	214 Nm



### PORT:

- Blank** NPT port
- M** BSPP ports
- A** BSPT ports

### I/O BLOCK

- E15** 15 Pin I/O Block with D-Sub Connector and User Plug, without Cable
- G15\*** 15 Pin I/O Block Non-Recessed, with D-Sub Connector and User Plug, without Cable
- E12** 12 Pin I/O Block w/Turck M12 Conn, w/o Cordset
- 0** without I/O Block

\*For previous installations only. New Installations use E15.

### REPLACEMENT I/O MODULE ACCESSORIES

- 15 Pin I/O Block with D-Sub Connector and User Plug, w/o Cable
- 15 Pin I/O Block Non-Recessed, w/D-Sub Connector, User Plug, w/o Cable
- 12 Pin I/O Block with Turck M12 Connector, w/o Cordset
- Straight Female D-Sub User Plug, w/o Cable, Solder Type for E15/G15
- 90° Male Cordset 2M for E12

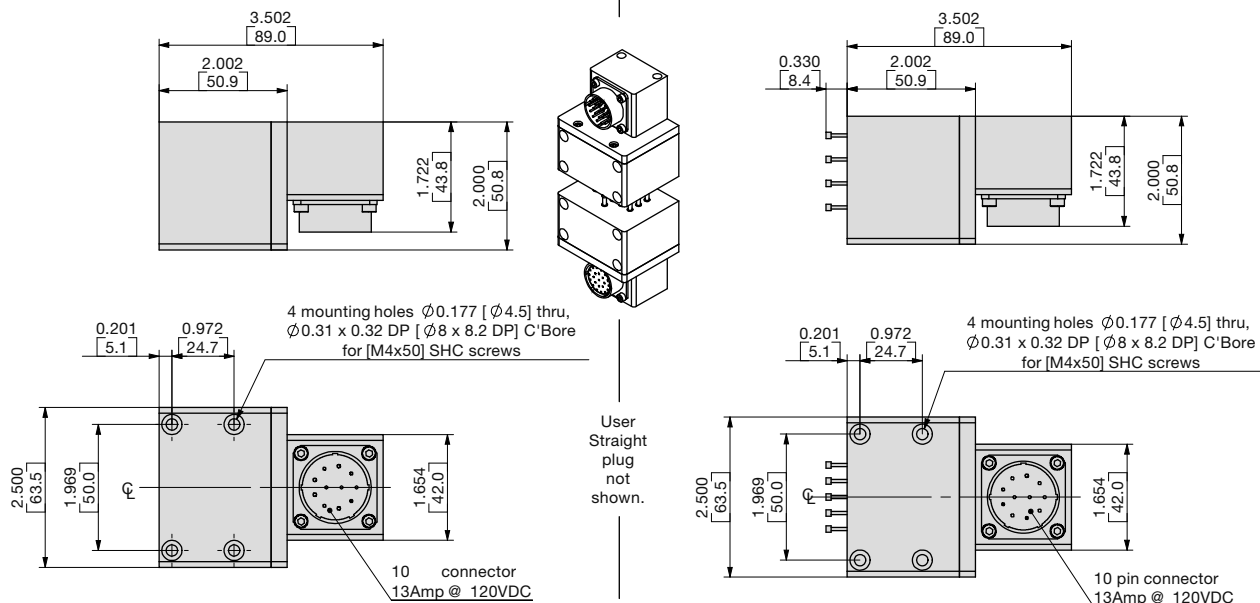
### ORDER # QTY/UNIT

<b>KE15-TP60</b>	<b>1</b>
<b>KG15-TP60</b>	<b>1</b>
<b>KE12-TP60</b>	<b>1</b>
<b>ELCT-047</b>	<b>1</b>
<b>CABL-023</b>	<b>1</b>

# OPTIONAL ELECTRIC MODULE

## 10 Pin Module 13Amp @ 120VDC (E10)

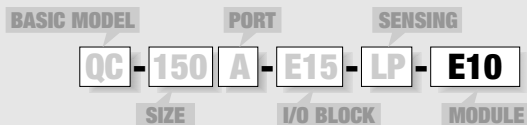
For QC/TP-60 & QC/TP-150



Flat for module mounting not shown: See QC or TP drawings.

### ROBOT HALF MODULES:

#### How to Order Modules:



#### MODULE FOR QC-60

##### PREMOUNTED SEPARATE

**E10 KE10-QC60** 10 pin 13A Module with Industrial User Connector, without Cable

#### MODULE FOR QC-150

##### PREMOUNTED SEPARATE

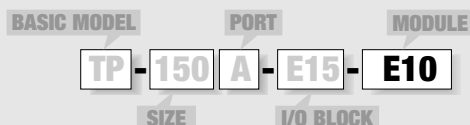
**E10 KE10-QC150** 10 pin 13A Module with Industrial User Connector, without Cable

#### ACCESSORIES:

**ELCT-041** Straight female plug (w/o cable), solder type, cable clamp

### TOOL HALF MODULES:

#### How to Order Modules:



#### MODULE FOR TP-60

##### PREMOUNTED SEPARATE

**E10 KE10-TP60** 10 pin 13A Module with Industrial User Connector, without Cable

#### MODULE FOR TP-150

##### PREMOUNTED SEPARATE

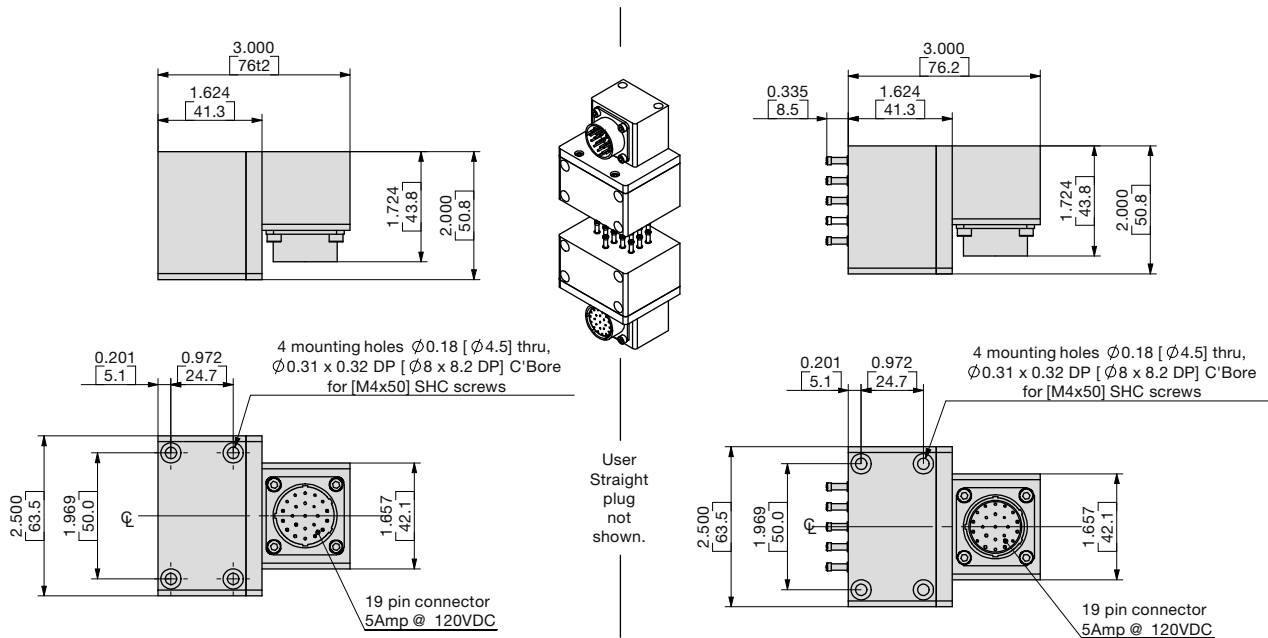
**E10 KE10-TP150** 10 pin 13A Module with Industrial User Connector, without Cable

#### ACCESSORIES:

**ELCT-042** Straight male plug (w/o cable), solder type, cable clamp

**Module kits above include:** Flat for module mounting, straight plug (without cable), locating pins and hardware.

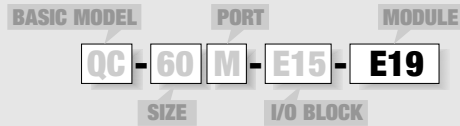
## 19 Pin Module 5Amp @ 120VDC (E19) For QC/TP-60 & QC/TP-150



Flat for module mounting not shown: See QC or TP drawings.

### ROBOT HALF MODULES:

#### How to Order Modules:



#### MODULE FOR QC-60

##### PREMOUNTED SEPARATE

**E19 KE19-QC60** 19 pin 5A Module with Industrial User Connector, without Cable

#### MODULE FOR QC-150

##### PREMOUNTED SEPARATE

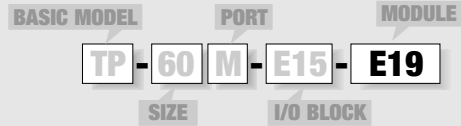
**E19 KE19-QC150** 19 pin 5A Module with Industrial User Connector, without Cable

#### ACCESSORIES:

**ELCT-043** Straight female plug (w/o cable), solder type, cable clamp

### TOOL HALF MODULES:

#### How to Order Modules:



#### MODULE FOR TP-60

##### PREMOUNTED SEPARATE

**E19 KE19-TP60** 19 pin 5A Module with Industrial User Connector, without Cable

#### MODULE FOR TP-150

##### PREMOUNTED SEPARATE

**E19 KE19-TP150** 19 pin 5A Module with Industrial User Connector, without Cable

#### ACCESSORIES:

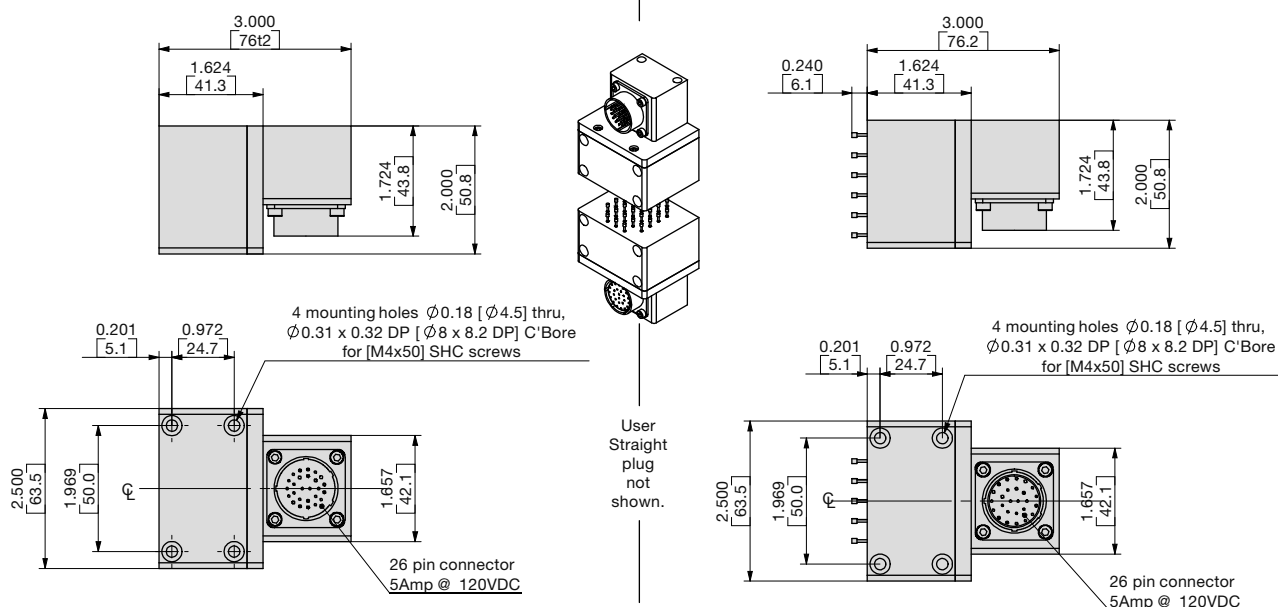
**ELCT-044** Straight male plug (w/o cable), solder type, cable clamp

**Module kits above include:** Flat for module mounting, straight plug (without cable), locating pins and hardware.

# OPTIONAL ELECTRIC MODULE

## 26 Pin Module 5Amp @ 120VDC (E26)

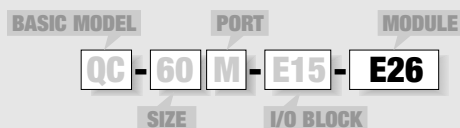
For QC/TP-60 & QC/TP-150



Flat for module mounting not shown: See QC or TP drawings.

### ROBOT HALF MODULES:

#### How to Order Modules:



#### MODULE FOR QC-60

##### PREMOUNTED SEPARATE

**E26 KE26-QC60** 26 pin 5A Module with Industrial User Connector, without Cable

#### MODULE FOR QC-150

##### PREMOUNTED SEPARATE

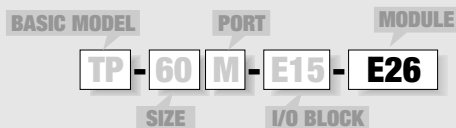
**E26 KE26-QC150** 26 pin 5A Module with Industrial User Connector, without Cable

#### ACCESSORIES:

**ELCT-045** Straight female plug (w/o cable), solder type, cable clamp

### TOOL HALF MODULES:

#### How to Order Modules:



#### MODULE FOR TP-60

##### PREMOUNTED SEPARATE

**E26 KE26-TP60** 26 pin 5A Module with Industrial User Connector, without Cable

#### MODULE FOR TP-150

##### PREMOUNTED SEPARATE

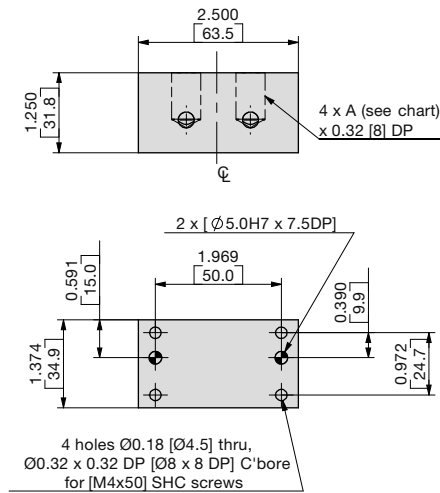
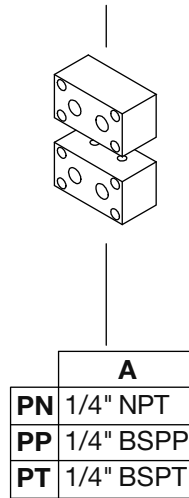
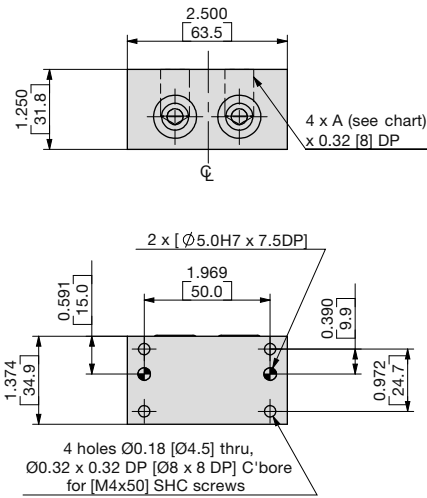
**E26 KE26-TP150** 26 pin 5A Module with Industrial User Connector, without Cable

#### ACCESSORIES:

**ELCT-046** Straight male plug (w/o cable), solder type, cable clamp

**Module kits above include:** Flat for module mounting, straight plug (without cable), locating pins and hardware.

## 2 X 1/4" Air ports Module, Face Seal (PN14, PP14, PT14) For QC/TP-60 & QC/TP-150

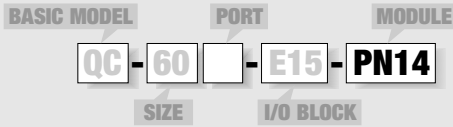


Flat for module mounting not shown: See QC or TP drawings.

Maximum Working Pressure: 10 bar

### ROBOT HALF MODULES:

#### How to Order Modules:



#### MODULES FOR QC-60

	PREMOUNTED	SEPARATE	
<b>PN14</b>	<b>KPN14-QC60</b>	2 x 1/4" NPT Pneumatic Ports, 10 bar	
<b>PP14</b>	<b>KPP14-QC60</b>	2 x 1/4" BSPP Pneumatic Ports, 10 bar	
<b>PT14</b>	<b>KPT14-QC60</b>	2 x 1/4" BSPT Pneumatic Ports, 10 bar	

#### MODULES FOR QC-150

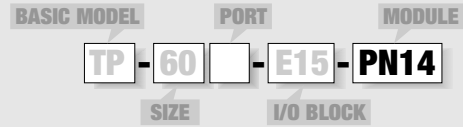
	PREMOUNTED	SEPARATE	
<b>PN14</b>	<b>KPN14-QC150</b>	2 x 1/4" NPT Pneumatic Ports, 10 bar	
<b>PP14</b>	<b>KPP14-QC150</b>	2 x 1/4" BSPP Pneumatic Ports, 10 bar	
<b>PT14</b>	<b>KPT14-QC150</b>	2 x 1/4" BSPT Pneumatic Ports, 10 bar	

#### ACCESSORIES:

**SLKT-395** Seal Repair Kit

### TOOL HALF MODULES:

#### How to Order Modules:



#### MODULES FOR TP-60

	PREMOUNTED	SEPARATE	
<b>PN14</b>	<b>KPN14-TP60</b>	2 x 1/4" NPT Pneumatic Ports, 10 bar	
<b>PP14</b>	<b>KPP14-TP60</b>	2 x 1/4" BSPP Pneumatic Ports, 10 bar	
<b>PT14</b>	<b>KPT14-TP60</b>	2 x 1/4" BSPT Pneumatic Ports, 10 bar	

#### MODULES FOR TP-150

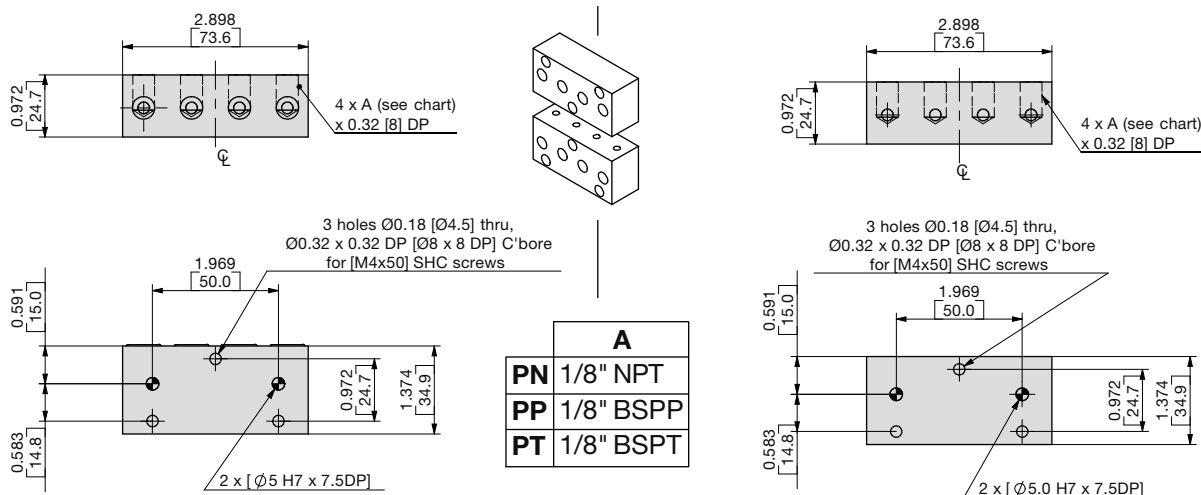
	PREMOUNTED	SEPARATE	
<b>PN14</b>	<b>KPN14-TP150</b>	2 x 1/4" NPT Pneumatic Ports, 10 bar	
<b>PP14</b>	<b>KPP14-TP150</b>	2 x 1/4" BSPP Pneumatic Ports, 10 bar	
<b>PT14</b>	<b>KPT14-TP150</b>	2 x 1/4" BSPT Pneumatic Ports, 10 bar	

Module kits above include: Flat for module mounting, seals, locating pins and hardware.

# OPTIONAL PNEUMATIC MODULE

## 4 X 1/8" Air ports Module, Face Seal (PN18, PP18, PT18)

For QC/TP-60 & QC/TP-150

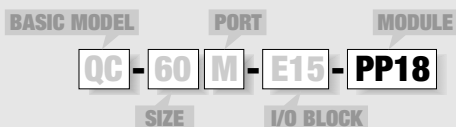


Flat for module mounting not shown: See QC or TP drawings.

Maximum Working Pressure: 10 bar

### ROBOT HALF MODULES:

#### How to Order Modules:



#### MODULES FOR QC-60

	PREMOUNTED	SEPARATE	
PN18	KPN18-QC60	4 x 1/8" NPT Pneumatic Ports, 10 bar	
PP18	KPP18-QC60	4 x 1/8" BSPP Pneumatic Ports, 10 bar	
PT18	KPT18-QC60	4 x 1/8" BSPT Pneumatic Ports, 10 bar	

#### MODULES FOR QC-150

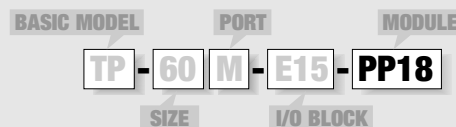
	PREMOUNTED	SEPARATE	
PN18	KPN18-QC150	4 x 1/8" NPT Pneumatic Ports, 10 bar	
PP18	KPP18-QC150	4 x 1/8" BSPP Pneumatic Ports, 10 bar	
PT18	KPT18-QC150	4 x 1/8" BSPT Pneumatic Ports, 10 bar	

#### ACCESSORIES:

**SLKT-391** Seal Repair Kit

### TOOL HALF MODULES:

#### How to Order Modules:



#### MODULES FOR TP-60

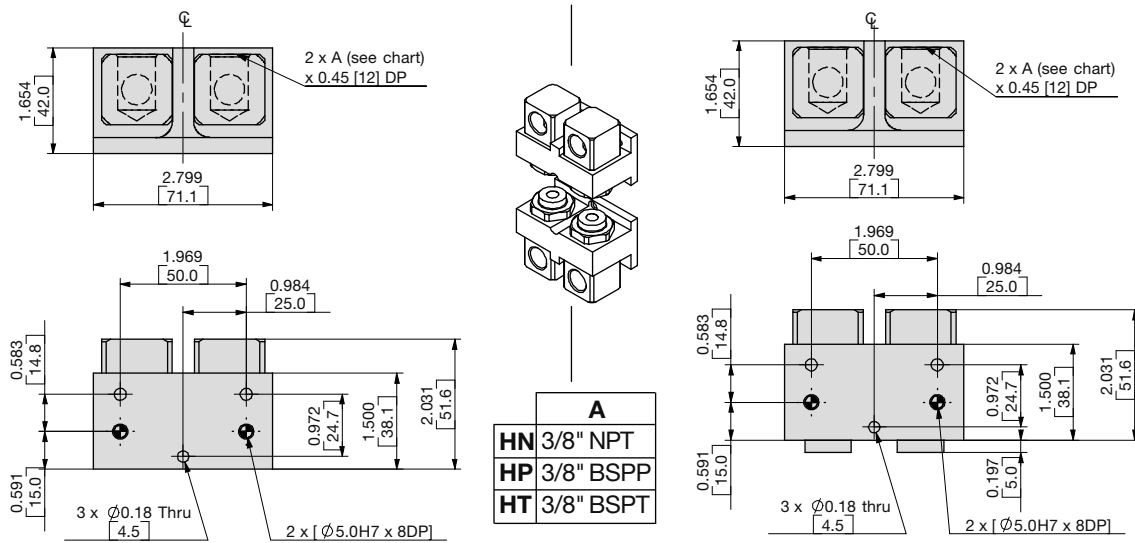
	PREMOUNTED	SEPARATE	
PN18	KPN18-TP60	4 x 1/8" NPT Pneumatic Ports, 10 bar	
PP18	KPP18-TP60	4 x 1/8" BSPP Pneumatic Ports, 10 bar	
PT18	KPT18-TP60	4 x 1/8" BSPT Pneumatic Ports, 10 bar	

#### MODULES FOR TP-150

	PREMOUNTED	SEPARATE	
PN18	KPN18-TP150	4 x 1/8" NPT Pneumatic Ports, 10 bar	
PP18	KPP18-TP150	4 x 1/8" BSPP Pneumatic Ports, 10 bar	
PT18	KPT18-TP150	4 x 1/8" BSPT Pneumatic Ports, 10 bar	

Module kits above include: Flat for module mounting, seals, locating pins and hardware.

## 2 x 3/8" Fluid Ports Module, Non Spilling, Double Shut-Off (HP38, HN38, HT38) For QC/TP-60 & QC/TP-150

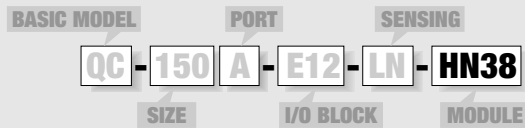


Flat for module mounting not shown: See QC or TP drawings.

Maximum Working Pressure: 100 bar

### ROBOT HALF MODULES:

#### How to Order Modules:



#### MODULE FOR QC-60

PREMOUNTED SEPARATE

**HN38 KHN38-QC60** 2 x 3/8" NPT Fluid Ports Module, 100 bar

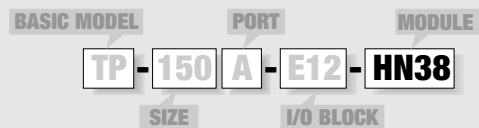
#### MODULE FOR QC-150

PREMOUNTED SEPARATE

**HN38 KHN38-QC150** 2 x 3/8" NPT Fluid Ports Module, 100 bar

### TOOL HALF MODULES:

#### How to Order Modules:



#### MODULE FOR TP-60

PREMOUNTED SEPARATE

**HN38 KHN38-TP60** 2 x 3/8" NPT Fluid Ports Module, 100 bar

#### MODULE FOR TP-150

PREMOUNTED SEPARATE

**HN38 KHN38-TP150** 2 x 3/8" NPT Fluid Ports Module, 100 bar

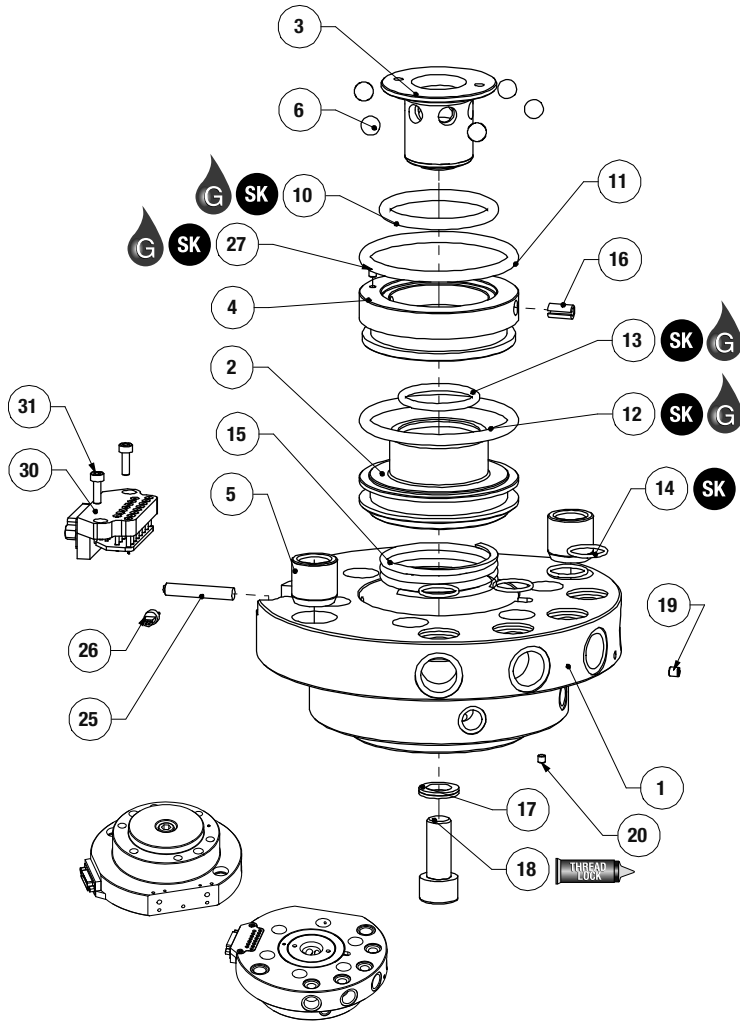
Module kits above include: Flat for module mounting, couplings, locating pins and hardware.



# QC Series Exploded View



## Robot Half



Item	Qty	Name
------	-----	------

### Robot Side

1	1	Body
2	1	Piston
3	1	Ball retainer
4	1	Ring
5	2	Bushing
6	4 to 6	Ball
10	1	Ring, O-Ring
11	1	Ring, O-Ring
12	1	Piston, O-Ring
13	1	Piston, O-ring
14	4	Body, O-Ring
15	1	Spring
16	1	Ring, Pin (QC-150 only)
17	1	Retainer, O-Ring
18	1	Retainer, Washer
19	1	Body, SHC screw
20	1	Body, SHC screw
25	1	Sensor, (QC-150 only - optional)
26	1	Sensor Connector, (QC-150 only - optional)
27	1	Sensor, SS screw (QC-150 only)
30	1	I/O Module
31	2	Module, SHC Screw

### Tool Side

101	1	Body
102	1	Locking Pin
103	1	Centering Pin
104	1	Diamond Pin
105	3	Pin, Screw
106	1	I/O Module
107	2	Module, SHC screw

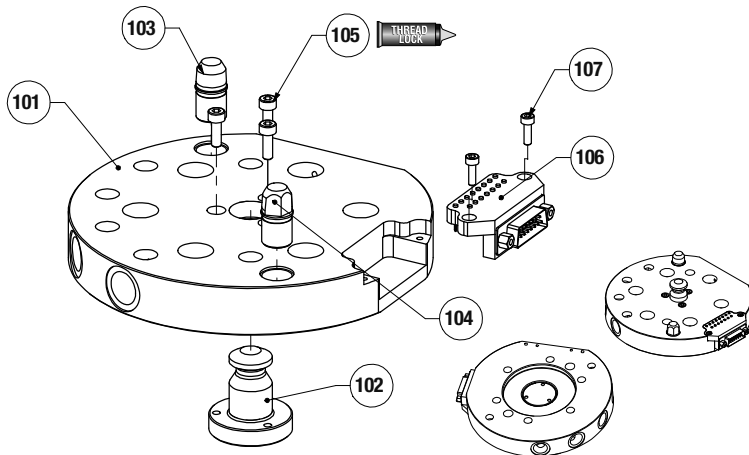
**NOTE:** Contact the Robohand Sales Department for a complete spare parts list with order numbers and prices.

**SK** Seal Repair Kit Order #'s  
See Product Data Sheets

QC SERIES

6.18

## Tool Half



Seal Kit Items



Thread Locker



Krytox™ Lubricant



Lightweight Machine Oil



Teflon® Based Grease



Super Bonder

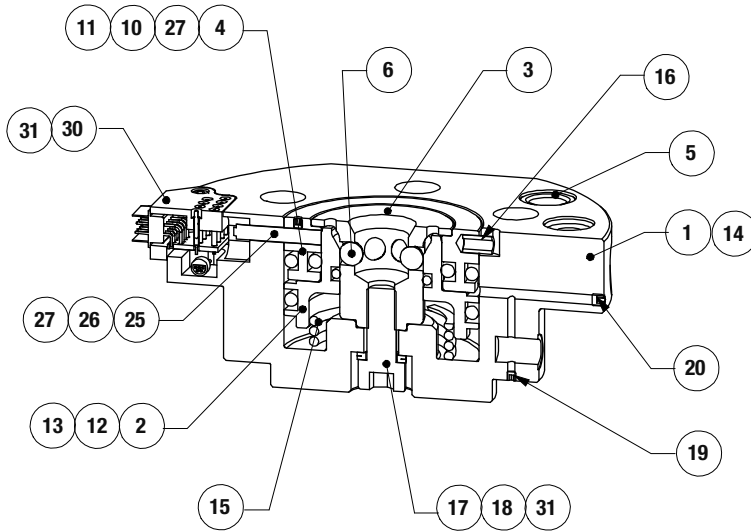


Third Angle Projection

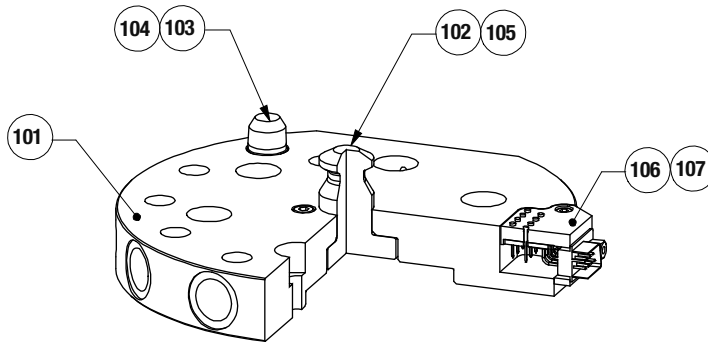
Please see back cover for DE-STA-CO Global Locations. [www.destaco.com](http://www.destaco.com)

[www.comoso.com](http://www.comoso.com)

## Robot Half



## Tool Half



Item	Qty	Name
------	-----	------

### Robot Side

1	1	Body
2	1	Piston
3	1	Ball retainer
4	1	Ring
5	2	Bushing
6	4 to 6	Ball
10	1	Ring, O-Ring
11	1	Ring, O-Ring
12	1	Piston, O-ring
13	1	Piston, O-ring
14	4	Body, O-Ring
15	1	Spring
16	1	Ring, Pin (QC-150 only)
17	1	Retainer, O-Ring
18	1	Retainer, Washer
19	1	Body, SHC screw
20	1	Body, SHC screw
25	1	Sensor, (QC-150 only - optional)
26	1	Sensor Connector, (QC-150 only - optional)
27	1	Sensor, SS screw (QC-150 only)
30	1	I/O Module
31	2	Module, SHC Screw

### Tool Side

101	1	Body
102	1	Locking Pin
103	1	Centering Pin
104	1	Diamond Pin
105	3	Pin, Screw
106	1	I/O Module
107	2	Module, SHC screw

**NOTE:** Contact the Robohand Sales Department for a complete spare parts list with order numbers and prices.

### Assembly Procedure - Robot Side

- 1) Install the air port plugs (#19) and (#20) with thread-locker into the body (#1)
- 2) Lubricate and install seals (#12) and (#13) into the piston (#2)
- 3) Insert the springs (#15) into the body
- 4) Insert the piston sub-assembly into the body
- 5) Lubricate and install seals (#10) and (#11) into the ring (#4)
- 6) Insert the pin (#16) into the ring (#4)
- 7) Insert the ring sub-assembly into the body
- 8) Insert the balls (#6) into the ball retainer (#3)
- 9) Insert the ball and retainer sub-assembly into the body
- 10) Fasten the ball retainer with washer (#17) and screws (#18) with thread-locker
- 11) Press in the bushings (#5) into the body
- 12) Mount the O-Ring (#14) into the body
- 13) For QC150 with latch sensor only, fully insert the sensor (#25) into the body and slightly pull it back (0.5 to 1 mm). Fasten the sensor (#25) with screw (#27). Plug in male connector (#25) with the female connector of the I/O block (#30)
- 14) Mount the I/O block (#30) into the body and fasten with screw (#31)

### Assembly Procedure - Tool Side

- 1) Insert the locking pin (#102) into the body #101 and fasten with screws (#105) with thread-locker
- 2) Press in the diamond pin (#104) into the body
- 3) Press in the pin (#103) into the body
- 4) Mount the I/O block (#106) into the body and fasten with screw (#107)



# QC Series Cross Reference

New Product #	Old Product #	Description
<b>Robot Half Size 30</b>		
QC-30-E15	QC2336-0-0-0	Robot Half, Imperial, 15 Pin I/O Module
QC-30-D15	QC1862-0-0-0	Robot Half, Imperial, Double 15 Pin I/O Module
QC-30M-E15	QC1956-0-0-0	Robot Half, Metric, 15 Pin I/O Module
QC-30M-E12	QC7499-0-0-0	Robot Half, Metric, 12 Pin I/O Module
<b>Tool Half Size 30</b>		
TP-30-E15	TP2337-0-0	Tool Half, Imperial, 15 Pin I/O Module
TP-30-D15	TP1506-0-0	Tool Half, Imperial, Double 15 Pin I/O Module
TP-30M-E15	TP1957-0-0	Tool Half, Metric, 15 Pin I/O Module
TP-30M-E12	TP7500-0-0	Tool Half, Metric, 12 Pin I/O Module
<b>Accessories Size 30</b>		
E15-QC30	502678	15 Pin I/O Block with Micro D-Sub Connector
E12-QC30	507494	12 Pin I/O Block with Turck M12 Connector
E15-TP30	502679	15 Pin I/O Block with Micro D-Sub Connector
E12-TP30	507495	12 Pin I/O Block with Turck M12 Connector
CABL-024	903319	Straight Male Cordset 1.2M for E15
SLKT-387	KQC30-OR	Seal Repair Kit, QC30
SLKT-388	KQC30-HW	Face Sealing Repair Kit, QC30
<b>Robot Half Size 60</b>		
QC-60-E15	QC6675-0-0-0	Robot Half, NPT, 15 Pin I/O Module
QC-60-G15	QC2166-0-0-0	Robot Half, NPT, 15 Pin Non-Recessed I/O Module
QC-60M-E15	QC6704-0-0-0	Robot Half, Metric, 15 Pin I/O Module
QC-60M-E12	QC7592-0-0-0	Robot Half, Metric, 12 Pin I/O Module
QC-60M-G15	QC4588-0-0-0	Robot Half, Metric, 15 Pin Non-Recessed I/O Module
QC-60A-E15	QC6708-0-0-0	Robot Half, BSPT, 15 Pin I/O Module
QC-60A-G15	QC1980-0-0-0	Robot Half, BSPT, 15 Pin Non-Recessed I/O Module
QC-60-E15-10P	QC6923-0-0-0	Robot Half, NPT, 15 Pin I/O Module, 10 Ports
QC-60M-E15-10P	QC7079-0-0-0	Robot Half, Metric, 15 Pin I/O Module, 10 Ports
QC-60A-E15-10P	QC7078-0-0-0	Robot Half, BSPT, 15 Pin I/O Module, 10 Ports
<b>Tool Half Size 60</b>		
TP-60-E15	TP6676-0-0-0	Tool Half, NPT, 15 Pin I/O Module
TP-60-G15	TP2093-0-0-0	Tool Half, NPT, 15 Pin Non-Recessed I/O Module
TP-60M-E15	TP6705-0-0-0	Tool Half, Metric, 15 Pin I/O Module
TP-60M-E12	TP7593-0-0-0	Tool Half, Metric, 12 Pin I/O Module
TP-60M-G15	TP4591-0-0-0	Tool Half, Metric, 15 Pin Non-Recessed I/O Module
TP-60A-E15	TP6709-0-0-0	Tool Half, BSPT, 15 Pin I/O Module
TP-60A-G15	TP1981-0-0-0	Tool Half, BSPT, 15 Pin Non-Recessed I/O Module
TP-60-E15-10P	TP6924-0-0-0	Tool Half, NPT, 15 Pin I/O Module, 10 Ports
TP-60M-E15-10P	TP7081-0-0-0	Tool Half, Metric, 15 Pin I/O Module, 10 Ports
TP-60A-E15-10P	TP7080-0-0-0	Tool Half, BSPT, 15 Pin I/O Module, 10 Ports
<b>Accessories Size 60</b>		
SLKT-389	KQC60-OR	Seal Repair Kit, QC60
<b>Robot Half Size 150</b>		
QC-150-E15	QC6677-0-0-0	Robot Half, NPT, 15 Pin I/O Module
QC-150-G15	QC2292-0-0-0	Robot Half, NPT, 15 Pin Non-Recessed I/O Module
QC-150-E15-LP	QC6677-052-0-0	Robot Half, NPT, 15 Pin I/O Module, PNP Latch sensor
QC-150-G15-LP	QC2292-052-0-0	Robot Half, NPT, 15 Pin Non-Recessed I/O Module, PNP Latch sensor
QC-150-E15-LN	QC6677-050-0-0	Robot Half, NPT, 15 Pin I/O Module, NPN Latch sensor
QC-150-G15-LN	QC2292-050-0-0	Robot Half, NPT, 15 Pin Non-Recessed I/O Module, NPN Latch sensor
QC-150M-E15	QC6706-0-0-0	Robot Half, Metric, 15 Pin I/O Module
QC-150M-G15	QC4593-0-0-0	Robot Half, Metric, 15 Pin Non-Recessed I/O Module
QC-150M-E15-LP	QC6706-052-0-0	Robot Half, Metric, 15 Pin I/O Module, PNP Latch sensor
QC-150M-G15-LP	QC4593-052-0-0	Robot Half, Metric, 15 Pin Non-Recessed I/O Module, PNP Latch sensor
QC-150M-E15-LN	QC6706-050-0-0	Robot Half, Metric, 15 Pin I/O Module, NPN Latch sensor
QC-150M-G15-LN	QC4593-050-0-0	Robot Half, Metric, 15 Pin Non-Recessed I/O Module, NPN Latch sensor
QC-150A-E15	QC6710-0-0-0	Robot Half, BSPT, 15 Pin I/O Module
QC-150A-G15	QC3066-0-0-0	Robot Half, BSPT, 15 Pin Non-Recessed I/O Module
QC-150A-E15-LP	QC6710-052-0-0	Robot Half, BSPT, 15 Pin I/O Module, PNP Latch sensor
QC-150A-G15-LP	QC3066-052-0-0	Robot Half, BSPT, 15 Pin Non-Recessed I/O Module, PNP Latch sensor
QC-150A-E15-LN	QC6710-050-0-0	Robot Half, BSPT, 15 Pin I/O Module, NPN Latch sensor
QC-150A-G15-LN	QC3066-050-0-0	Robot Half, BSPT, 15 Pin Non-Recessed I/O Module, NPN Latch sensor

QC SERIES

6.20



New Product #	Old Product #	Description
<b>Tool Half Size 150</b>		
TP-150-E15	TP6678-0-0-0	Tool Half, NPT, 15 Pin I/O Module
TP-150-G15	TP2293-0-0-0	Tool Half, NPT, 15 Pin Non-Recessed I/O Module
TP-150M-E15	TP6707-0-0-0	Tool Half, Metric, 15 Pin I/O Module
TP-150M-G15	TP4595-0-0-0	Tool Half, Metric, 15 Pin Non-Recessed I/O Module
TP-150A-E15	TP6711-0-0-0	Tool Half, BSPT, 15 Pin I/O Module
TP-150A-G15	TP2259-0-0-0	Tool Half, BSPT, 15 Pin Non-Recessed I/O Module
<b>Modules Size 60 and 150</b>		
KG15-QC60	502675	15 Pin I/O Block (Non-Recessed) with D-Sub Connector - QC side
KE15-QC60	506671	15 Pin I/O Block with D-Sub Connector - QC side
KG15-TP60	502676	15 Pin I/O Block (Non-Recessed) with D-Sub Connector - TP side
KE15-TP60	506673	15 Pin I/O Block with D-Sub Connector - TP side
KE26-QC60	QE26	26 pin 5A Module with Industrial Connector - QC side
KE26-TP60	TE26	26 pin 5A Module with Industrial Connector - TP side
KE19-QC60	QE19	19 pin 5A Module with Industrial Connector - QC side
KE19-TP60	TE19	19 pin 5A Module with Industrial Connector - TP side
KE10-QC60	QE10	10 pin 13A Module with Industrial Connector - QC side
KE10-TP60	TE10	10 pin 13A Module with Industrial Connector - TP side
KG15-QC150	502675	15 Pin I/O Block (Non-Recessed) with D-Sub Connector - QC side
KE15-QC150	506673	15 Pin I/O Block with D-Sub Connector - QC side
KE26-QC150	QE26	26 pin 5A Module with Industrial Connector - QC side
KE26-TP150	TE26	26 pin 5A Module with Industrial Connector - TP side
KE19-QC150	QE19	19 pin 5A Module with Industrial Connector - QC side
KE19-TP150	TE19	19 pin 5A Module with Industrial Connector - TP side
KE10-QC150	QE10	10 pin 13A Module with Industrial Connector - QC side
KE10-TP150	TE10	10 pin 13A Module with Industrial Connector - TP side
KPN18-QC60	QNPT18	4 x 1/8 NPT Pneumatic Ports Module - QC side
KPP18-QC60	QBSPP18	4 x 1/8 BSPP Pneumatic Ports Module - QC side
KPT18-QC60	QBSPT18	4 x 1/8 BSPT Pneumatic Ports Module - QC side
KPN18-TP60	TNPT18	4 x 1/8 NPT Pneumatic Ports Module - TP side
KPP18-TP60	TBSPP18	4 x 1/8 BSPP Pneumatic Ports Module - TP side
KPT18-TP60	TBSPT18	4 x 1/8 BSPT Pneumatic Ports Module - TP side
KPN14-QC60	QNPT14	2 x 1/4 NPT Pneumatic Ports Module - QC side
KPP14-QC60	QBSPP14	2 x 1/4 BSPP Pneumatic Ports Module - QC side
KPT14-QC60	QBSPT14	2 x 1/4 BSPT Pneumatic Ports Module - QC side
KPN14-TP60	TNPT14	2 x 1/4 NPT Pneumatic Ports Module - TP side
KPP14-TP60	TBSPP14	2 x 1/4 BSPP Pneumatic Ports Module - TP side
KPT14-TP60	TBSPT14	2 x 1/4 BSPT Pneumatic Ports Module - TP side
KPN18-QC150	QNPT18	4 x 1/8 NPT Pneumatic Ports Module - QC side
KPP18-QC150	QBSPP18	4 x 1/8 BSPP Pneumatic Ports Module - QC side
KPT18-QC150	QBSPT18	4 x 1/8 BSPT Pneumatic Ports Module - QC side
KPN18-TP150	TNPT18	4 x 1/8 NPT Pneumatic Ports Module - TP side
KPP18-TP150	TBSPP18	4 x 1/8 BSPP Pneumatic Ports Module - TP side
KPT18-TP150	TBSPT18	4 x 1/8 BSPT Pneumatic Ports Module - TP side
KPN14-QC150	QNPT14	2 x 1/4 NPT Pneumatic Ports Module - QC side
KPP14-QC150	QBSPP14	2 x 1/4 BSPP Pneumatic Ports Module - QC side
KPT14-QC150	QBSPT14	2 x 1/4 BSPT Pneumatic Ports Module - QC side
KPN14-TP150	TNPT14	2 x 1/4 NPT Pneumatic Ports Module - TP side
KPP14-TP150	TBSPP14	2 x 1/4 BSPP Pneumatic Ports Module - TP side
KPT14-TP150	TBSPT14	2 x 1/4 BSPT Pneumatic Ports Module - TP side
KHN38-QC60	QQD38	2 x 3/8 NPT Fluid Ports Module - QC side
KHN38-TP60	TQD38	2 x 3/8 NPT Fluid Ports Module - TP side
KHN38-QC150	QQD38	2 x 3/8 NPT Fluid Ports Module - QC side
KHN38-TP150	TQD38	2 x 3/8 NPT Fluid Ports Module - TP side
ELCT-047	502363	Straight Female D-Sub User Plug (w/o cable) Solder Type for E15/G15 (QC-60/150 & TP-60/150)
ELCT-041	904831	Straight Female Plug (w/o cable) for E10-QC60/150
ELCT-042	904834	Straight Male Plug (w/o cable) for E10-TP60/150
ELCT-043	902484	Straight Female Plug (w/o cable) for E19-QC60/150
ELCT-044	902486	Straight Male Plug (w/o cable) for E19-TP60/150
ELCT-045	904837	Straight Female Plug (w/o cable) for E26-QC60/150
ELCT-046	904833	Straight Male Plug (w/o cable) for E26-TP60/150