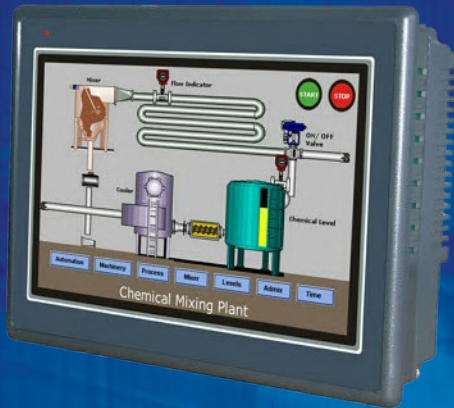


FlexiPanels - Combination HMI/PLC



7" TFT Color Touch Screen



12.1" TFT Color Touch Screen



3.5" TFT Color LCD Touch Screen



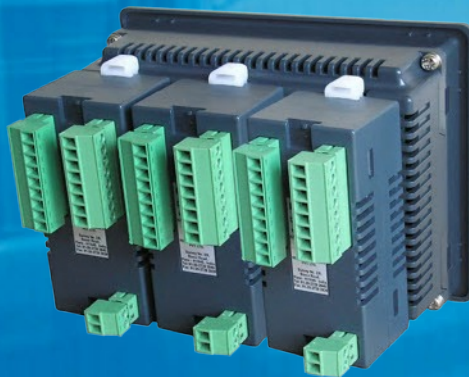
5.7" TFT Color Touch Screen



4.3" TFT Color LCD Touch Screen



3" Multicolor Back Light Touch Screen



Back View with 3 expansion modules



Back View with 5 expansion modules



3" Touchscreen with IO

Key Features

- **3" Monochrome to 5.7" TFT Color LCDs**
- **Analog and Digital Expansion Modules**
- **Common Tag Database for Logic and Display**
- **Recipe Support**
- **Real Time Clock**
- **Real Time and Historical Alarms**
- **Real Time and Historical Trending #**
- **Internal Data Logging (Up to 2 MB) #**
- **Copy Part or All of a Data Log to a USB memory stick**
- **High Speed Counters – 25 KHz per channel**
- **USB slave for programming & monitoring**
- **USB host for transferring programs & data logs #**
- **One or Two Serial Ports for networking or communicating to other devices. Drivers for over 30 PLCs, VFDs, servos and more.**
- **Multi-language (Unicode) for up to 9 languages.**
- **Powerful Ladder Based programming - Includes advanced functions like PID, For/Next, Subroutines, Moving Average, and Floating Point Math**
- **IP66 rated, CE, UL**
- **One programming software package ... FREE!**



not in FP4030MT model

FlexiSoft\Offline\FP5070TN-ES070 X10 T26.pzm\Logic Blocks - [Analog Conversion]

Project View Mode Block Define Tools Window Help

I/O Instructions - Data Transfer - Math - Compare - Logic - Conversion - Timer - Counter - Program Control - Functions - Special Instructions -

Projects Information

Recent Projects

- All Files
- Project List
- 5070 X10 T26.p
 - Screens
 - Templates
 - Logic Blocks
 - Power Up
 - Main
 - Screen
 - Analog
 - Main Cc
 - Calcula
 - Subroutine
 - Timer Intern
 - IO Allocation
 - Base
 - Expansion
 - Data Window
 - Tasks
 - Tags
 - Network Config

Help

Software Help

Instruction Properties

Design

Name: Function Generator

Description: Finds f(x) for given x=A, Execution Time 5.2 μs (n = 1)

Operand A

Type: Register

Address: XW0201

Comment: (A)

Name: AI 1 Pressure

Tag Index Type: None

Operand B

Address: D00000

Comment: (B)

Name: Pressure XD

Operand C

Address: D00100

Comment: (Result)

Name: Pressure - From FG

Tag Index Type: None

Size

Data size: 4

Name: Displays the name of the selected instruction.

Mode: Offline | Scratchpad area | Screen area Shape selected. | Top Left X: 153 | Top Left Y: 106 | Width: 306 | Height: 53

Specifications

Power	: 24 VDC +/- 10 %	Backlight	: LED
Bezel	: IP 66 (NEMA 4)	Colors Supported	: 32 k+ for Color Touch Screens
Operating Temperature	: 0 to 50 C	LCD Life	: 3 0,000 hrs at 25 C
Storage Temperature	: -20 to 80 C	DC Inputs	: 24 VDC NPN or PNP
Humidity	: 10 to 85 % Non-condensing	High Speed Inputs	: 25 kHz per channel
USB Device Port	: Programming & Monitoring	Digital Output Ratings	: 500 ma, PNP/NPN 2 a, 230 vac relay
USB Host Port	: Program loading, Data Log Transfer	PWM Outputs	: 1 0 kHz per channel (HS versions)
LCD Type	: Monochrome for FP4030MT, TFT color for all others	Certifications	: UL Class 1 Div 2, CE

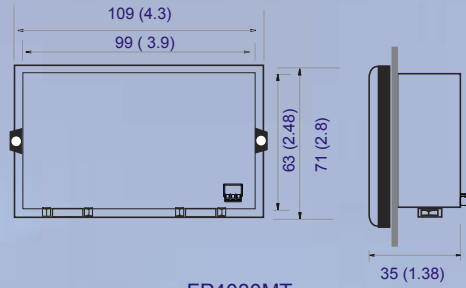
Model Specifics

Model	Description	Application Memory	PLC Steps	Data Log	Alarm Log	Exp. Ports	Ports		
							USB	Serial	Ethernet
FP4030MT	3" 128 x 64 Monochrome Touch Screen w/Tri-Color Backlight	1 Mb	10 K	No	Yes	NA	Device	2**	No
FP4030MTI08 08A201RP	3" 128 x 64 Monochrome Touch Screen w/Tri-Color Backlight	1 Mb	10 K	No	Yes	Built-in IO, 8 DI, 6 relay DO, 2 transistor DO, 2 univ AI, 1 AO	Device	2**	No
FP4035TE	3.5" 320 x 240 Color TFT Touch Screen w/6 Function Keys	6 Mb	160 K	Yes	Yes	3	Device & Host	2**	No
FP5043TNE	4.3" 480 x 272 Color TFT Touch Screen	10 Mb	160 K	Yes	Yes	3	Device & Host	2**	Yes
FP4057TE	5.7" 320 x 240 Color TFT Touch Screen w/6 Function Keys	6 Mb	160 K	Yes	Yes	5	Device & Host	2	No
FP5070TNE	7" 800 x 480 Color TFT Touch Screen	10 Mb	160 K	Yes	Yes	5	Device & Host	2	Yes
FP5121TN	12.1" 800 x 600 Color TFT Touch Screen	10 Mb	160 K	Yes	Yes	NA	Device & Host	2	Yes

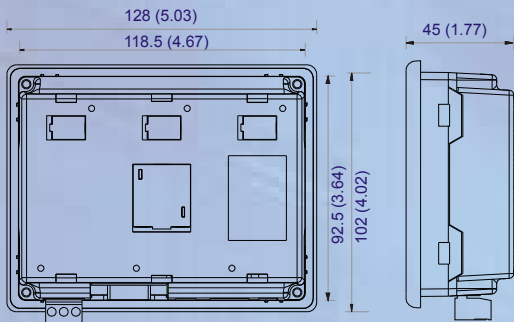
Expansion Modules

Model	Description
FPED1600	16 point DC inputs, NPN or PNP, 2 can configured as high speed counter inputs (25 kHz per input)
FPED0808N	8 DC inputs, NPN or PNP, includes 2 H.S. counter inputs (25 kHz per input), 8 DC outputs, NPN, 2 outputs can be used for PWM
FPEDHS0808N	8 DC inputs includes 4 H.S. counters, 8 NPN outputs, 2 outputs can be used for pulse and direction
FPED0808P	8 DC inputs, NPN or PNP, includes 2 H.S. counter inputs (25 kHz per input), 8 DC outputs, 2 outputs can be used for PWM
FPEDHS0808P	8 DC inputs includes 4 H.S. counters, 8 PNP outputs, 2 outputs can be used for pulse and direction or PWM
FPEDHS0808RN	8 DC inputs includes 4 H.S. counters, 6 relay outputs, 2 NPN transistor outputs that can be used for pulse and direction or PWM
FPEDHS0808RP	8 DC inputs includes 4 H.S. counters, 6 relay outputs, 2 PNP transistor outputs that can be used for pulse and direction or PWM
FPED0016N	16 DC outputs, NPN
FPED0016P	16 DC outputs, PNP
FPED0012R	12 relay outputs
FPEA0202L	2 analog inputs (4-20 ma, 0-20 ma or -10 to +10 or 0 to 10 vdc), 12 bit resolution, 2 analog outputs (4-20 ma or 0-10 vdc), 12 bit resolution
FPEA0400L	4 analog inputs (4-20 ma, 0-20 ma or -10 to +10 or 0 to 10 vdc), 12 bit resolution
FPEA0402U16	4 universal analog inputs, (RTD, thermocouple, mA, mV, 0-5 or 0-10 vdc), 2 analog outputs (0-20 mA, 4-20 mA, 0-10 vdc), 16 bit resolution
FPEA0800LC	8 analog inputs, 0-20 or 4-20 ma, 12 bit resolution
FPEA0800LV	8 analog inputs, -10 to +10 or 0 to 10 vdc, 12 bit resolution

Dimensions

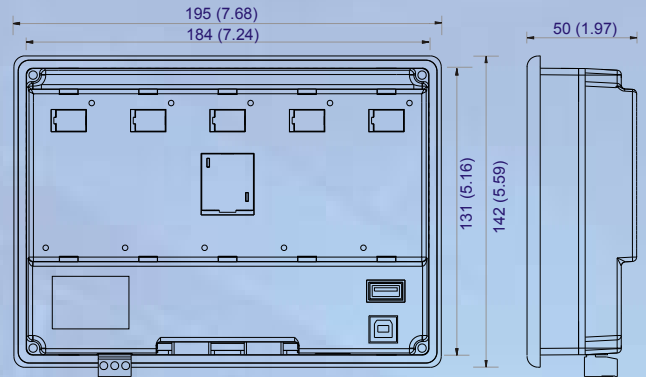


FP4030MT



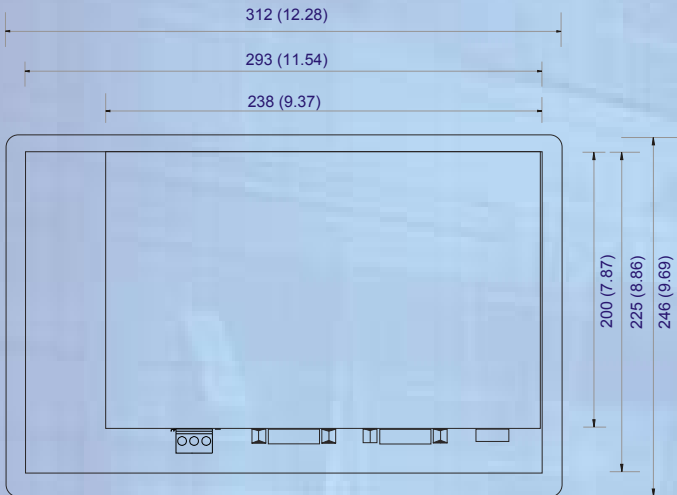
FP5043TNE, FP4035TE

Depth 75 mm (2.95) with pluggable module

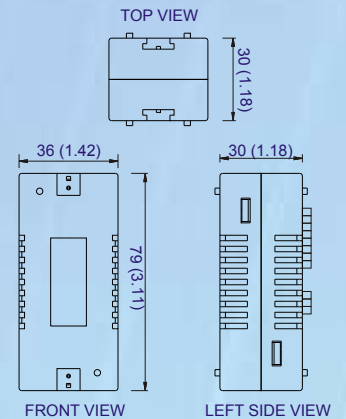


FP5070TNE, FP4057TE

Depth 80 mm (3.15) with pluggable module



FP5121TN



Expansion Modules

