

QUBE Features
Filters
Coalescing Filters
Regulators
Lubricators
Integral Filter Regulators
Combination Units
Accessories
Soft Start Valves
Mounting Brackets

L105 Lubricator



Features

- Connects to Other QUBE Units Using Just Screws and O-rings (Included)
- Integral Mounting Slots Eliminate Need for Mounting Brackets
- For Applications Requiring Minimum Pressure Drop
- Transparent Polyurethane Bowl with Bowl Guard as Standard
- Metal Bowl with Wraparound Sight Gauge Optional
- Drain Standard on Metal Bowl and Metal Bowl with Sight Gauge
- Can be Filled While Unit is Under Pressure
- Precision Needle Valve Assures Repeatable Oil Delivery and Provides Simple Adjustment of Delivery Rate.
- Large Capacity Bowl
- High Flow: 1/2" - 110 SCFM[§]
3/4" - 125 SCFM[§]

Polyurethane Bowls and Sight Gauges Offer Improved Chemical Compatibility.



Wraparound Sight Gauge Bowl

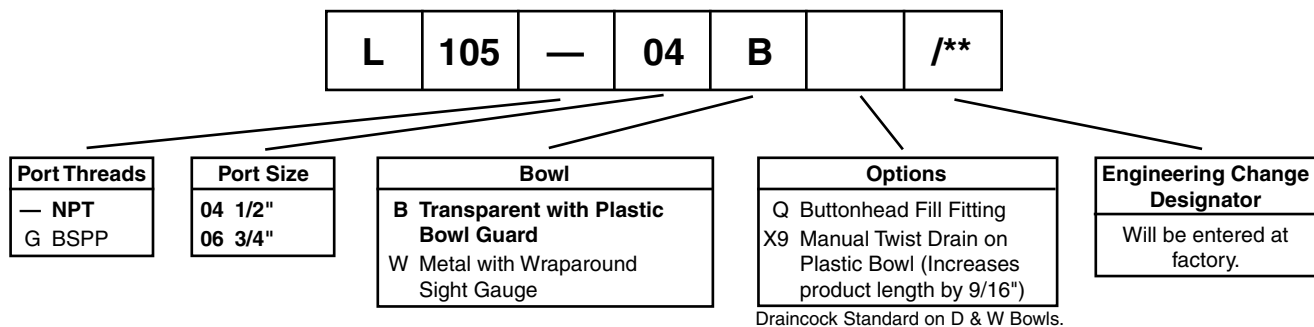
All QUBE filters, lubricators, and integrals are available with the Watts Wraparound Polyurethane Sight Gauge Bowl. These unique bowls provide the 360° visibility of a plastic bowl while maintaining the high strength and safety features of metal bowls. Polyurethane bowls with guards, and metal bowls, are also available.

Port Size	NPT
Polyurethane Bowl / Plastic Guard	
1/2"	L105-04B
3/4"	L105-06B
Zinc Bowl / Sight Gauge	
1/2"	L105-04W
3/4"	L105-06W

Bold Items are Most Popular.
For other models refer to ordering information below.

§ SCFM = Standard Cubic Feet Per Minute at 100 PSIG Inlet, and 5 PSIG Pressure Drop.

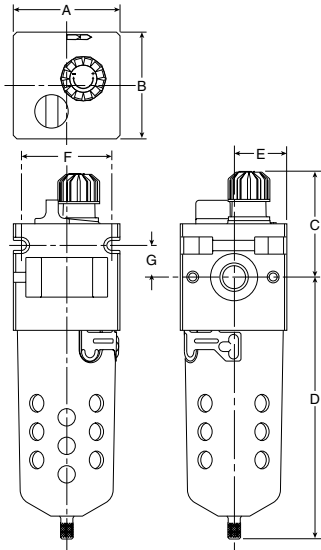
Ordering Information



BOLD ITEMS ARE MOST POPULAR.



Technical Information



L105 Lubricator Dimensions

A*	A†	B	C	D	E	F*	F†	G
L105-B								
2.69 (68.4)	3.03 (77.0)	2.69 (68.4)	3.00 (64.3)	6.03 (153.4)	1.34 (34.1)	2.25 (56.1)	2.55 (64.8)	0.81 (20.3)
L105-D								
2.69 (68.4)	3.03 (77.0)	2.69 (68.4)	3.00 (64.3)	6.62 (168.2)	1.34 (34.1)	2.25 (56.1)	2.55 (64.8)	0.81 (20.3)
LF105-W								
2.69 (68.4)	3.03 (77.0)	2.69 (68.4)	3.00 (64.3)	6.90 (175.3)	1.34 (34.1)	2.25 (56.1)	2.55 (64.8)	0.81 (20.3)

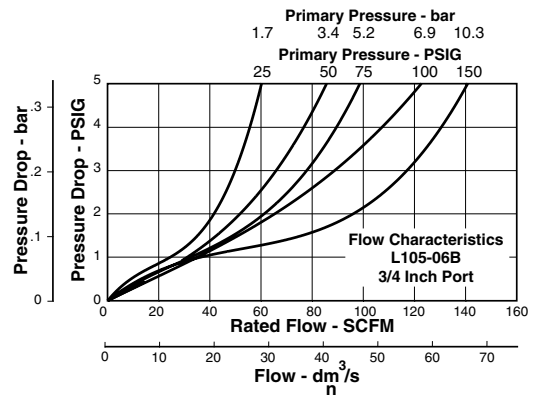
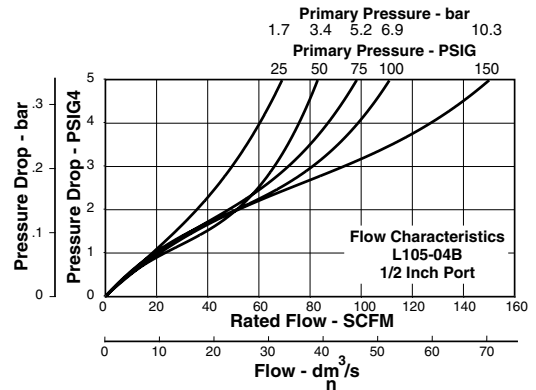
Inches (mm)
 * 3/8 and 1/2 inch ports
 † 3/4 inch ports

L105 Lubricator Kits & Accessories

- Bowl Kits –**
 Polyurethane (B)..... BKL105B
 Zinc (D) (with Drain) BKF105D
 Zinc (W) Wraparound Sight Gauge (with Drain)..... BKF105W
- Button Head Fill Fitting (M14 Male Thread) L606C14**
- Drain Kits –**
 Manual Twist Drain SA600Y7-1
- Oil –**
 1 Gal..... F442002
 12 Quart Case..... F442003
 4 Gallon Case..... F442005
- Face Mounting Bracket Kit (See Page 39)..... SAR105Y57**
- Repair Kit –**
 Tamper-resistant Sight Dome (All)..... RKL100

Specifications

- Bowl Capacity 8.5 Ounce**
- Port Threads 1/2 & 3/4 Inch**
- Pressure & Temperature Ratings –**
 Polyurethane Bowl..... 0 to 150 PSIG (0 to 10.2 bar)
 40°F to 125°F (4.4°C to 52°C)
 Zinc Bowl 0 to 300 PSIG (0 to 20.4 bar)
 40°F to 150°F (4.4°C to 65.6°C)



Zinc Bowl w/ Sight Gauge 0 to 250 PSIG (0 to 17.2 bar)
 40°F to 150°F (4.4°C to 65.6°C)

Suggested Lubricant F442 Oil

Petroleum-based oil of 100 to 200 SUS viscosity at 100°F and an aniline point greater than 200°F

(DO NOT USE OILS WITH ADDITIVES, COMPOUNDED OILS CONTAINING SOLVENTS, GRAPHITE, DETERGENTS, OR SYNTHETIC OILS.)

Weight –

- Polyurethane Bowl..... 1.09 lb. (0.5 kg) / Unit
 10.7 lb. (4.9 kg) / 8-unit Master Pack
- Zinc Bowl 1.53 lb. (0.7 kg) / Unit
 14.2 lb. (6.4 kg) / 8-unit Master Pack
- Zinc Bowl W/ Sight Gauge..... 1.71 lb. (0.8 kg) / Unit
 15.7 lb. (7.1 kg) / 8-unit Master Pack

Materials of Construction

- Body..... Aluminum**
- Bowls..... Polyurethane
 Metal (Zinc)**
- Drains Brass**
- Fill Fitting Brass**
- Seals Nitrile**

QUBE Features

Filters

Coalescing Filters

Regulators

Lubricators

Integral Filter Regulators

Combination Units

Accessories

Soft Start Valves

Mounting Brackets

