

B Series

B Series, an exceptional performing industrial valve in a compact size with an enhanced flow range.

Available in solenoid pilot operated and remote air pilot models. The B series features Parker's proven WCS (Wear Compensating Seal) system ensuring long life and fast response, making it ideally suited for OEM applications.

Ports

- B3: 1/8, 1/4 inch
- B5: 1/4, 3/8 inch
- B6: 3/8 inch
- B7: 1/2 inch
- B8: 3/4 inch

Mounting

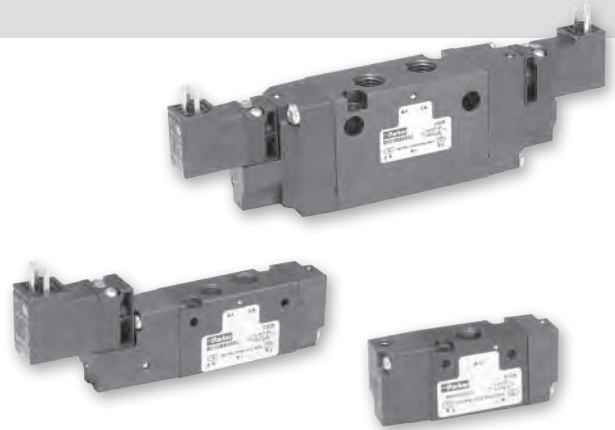
- Inline
- Subbase
- IEM stackable base
- IEM aluminum bar
- 5-port subbase aluminum bar

Solenoids

- 1.2 W – 15mm, 3-pin EN175301-803
- 2.5 to 7.3 watt - conduit, grommet, 22mm & 30mm, 3-pin DIN (433650)
- 12VDC to 240VAC
- Female DIN electrical connectors

Certification / Approval

- Approved to be CE marked
- IP65 rated
- CSA, C/US



Operating information

Operating pressure:	Vacuum to 145 PSIG (Vacuum to 10 bar)
Minimum:	See chart below
CSA-NRTL/C:	See chart below
Operating temperature:	5°F to 120°F (-15°C to 49°C)

Material specifications

Body	Anodized aluminum
End caps	Nylon polymer - 33% glass filled
Seals	Nitrile
Solenoid	Polyamide
Spool	Aluminum

Minimum operating pressure

Operator / function	Internal pilot	Minimum PSIG (kPa)				
		B3	B5	B6	B7	B8
1. G. H	Single solenoid - air return					
2. A. J. S	Double solenoid	20 (138)	20 (138)	20 (138)	35 (241)	35 (241)
3. K. L	Single remote pilot - air return					
4. M	Double remote pilot	Vacuum				
5. 6. 7	Double solenoid - APB, CE, PC	30 (207)	30 (207)	30 (207)	45 (310)	45 (310)
8. 9. 0	Double remote pilot - APB, CE, PC	Vacuum				
E. V. W	Single solenoid - air return / spring assist	35 (241)	35 (241)	35 (241)	35 (241)	35 (241)
F. X. Y	Single remote pilot - air return / spring assist					
	External pilot*†					
All	"B" series	Vacuum				

* External Pilot Pressure / Remote Pilot Signal 35-145 PSIG (241-1000 kPa).

† Not Available with B3 Dual 3/2.

CSA-NRTL/C operating pressure

Note: For CSA-NRTL/C approved solenoid valves – insert an 'L' at the end of the valve part number.

Valve	Maximum PSIG (kPa)
B3	120 (827)
B5 & B6	145 (1000)*§
B7 & B7	145 (1000)*†

* Enclosure Option E is CSA / FM approved at source. For certification of valve / solenoid assembly, consult factory.

† Not Available with Enclosure 5

§ Not available with Enclosures 0. 5 & X



Viking Lite Series

Viking Xtreme Series

B Series

ADEX Series

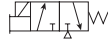
N Series

D

Inline Valve Products



Single Solenoid, 3-way, 2-position, NC



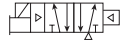
B3 shown, 3-Pin DIN 43650C electrical connection. Non-locking flush override.

Symbol	Port size	Cv	Voltage	Valve type	Part number
	1/8"	0.75 Cv	120VAC 24VDC	B3 Inline	B3G0BB553C B3G0BB549C
	1/4"	1.4 Cv	120VAC 24VDC	B5 Inline	B5G1BB553C B5G1BB549C
	3/8"	1.4 Cv	120VAC 24VDC	B5 Inline	B5G2BB553C B5G2BB549C
	3/8"	2.7 Cv	120VAC 24VDC	B6 Inline	B6V2BB553A B6V2BB549A
	1/2"	5.9 Cv	120VAC 24VDC	B7 Inline	B7V3BB553A B7V3BB549A
	3/4"	7.0 Cv	120VAC 24VDC	B8 Inline	B8V4BB553A B8V4BB549A

Viking Lite Series

Viking Xtreme Series

Single Solenoid, 4-way, 2-position



B3 shown, 3-Pin DIN 43650C electrical connection. Non-locking flush override.

Symbol	Port size	Cv	Voltage	Valve type	Part number
	1/8"	0.75 Cv	120VAC 24VDC	B3 Inline	B310BB553C B310BB549C
	1/4"	1.4 Cv	120VAC 24VDC	B5 Inline	B511BB553C B511BB549C
	3/8"	1.4 Cv	120VAC 24VDC	B5 Inline	B512BB553C B512BB549C
	3/8"	2.7 Cv	120VAC 24VDC	B6 Inline	B612BB553A B612BB549A
	1/2"	5.9 Cv	120VAC 24VDC	B7 Inline	B713BB553A B713BB549A
	3/4"	7.0 Cv	120VAC 24VDC	B8 Inline	B814BB553A B814BB549A
	Less base	0.65 Cv	120VAC 24VDC	B3 Subbase	B31VBB553C B31VBB549C

B Series

ADEX Series

N Series

Double Solenoid, 4-way, 2-position



B5 shown, 3-Pin DIN 43650C electrical connection. Non-locking flush override.

Symbol	Port size	Cv	Voltage	Valve type	Part number
	1/8"	0.75 Cv	120VAC 24VDC	B3 Inline	B320BB553C B320BB549C
	1/4"	1.4 Cv	120VAC 24VDC	B5 Inline	B521BB553C B521BB549C
	3/8"	1.4 Cv	120VAC 24VDC	B5 Inline	B522BB553C B522BB549C
	3/8"	2.7 Cv	120VAC 24VDC	B6 Inline	B622BB553A B622BB549A
	1/2"	5.9 Cv	120VAC 24VDC	B7 Inline	B723BB553A B723BB549A
	3/4"	7.0 Cv	120VAC 24VDC	B8 Inline	B824BB553A B824BB549A
	Less base	0.65 Cv	120VAC 24VDC	B3 Subbase	B32VBB553C B32VBB549C

D

Inline Valve Products

Double Solenoid, 4-way, 3-position, APB



Symbol	Port size	Cv	Voltage	Valve type	Part number
	1/8"	0.60 Cv	120VAC 24VDC	B3 Inline	B350BB553C B350BB549C
	1/4"	1.1 Cv	120VAC 24VDC	B5 Inline	B551BB553C B551BB549C
	3/8"	1.1 Cv	120VAC 24VDC	B5 Inline	B552BB553C B552BB549C
	3/8"	2.1 Cv	120VAC 24VDC	B6 Inline	B652BB553A B652BB549A
	1/2"	5.7 Cv	120VAC 24VDC	B7 Inline	B753BB553A B753BB549A
	3/4"	6.6 Cv	120VAC 24VDC	B8 Inline	B854BB553A B854BB549A
	Less base	0.50 Cv	120VAC 24VDC	B3 Subbase	B35VBB553C B35VBB549C

B5 shown, 3-Pin DIN 43650C electrical connection. Non-locking flush override.

Double Solenoid, 4-way, 3-position, CE



Symbol	Port size	Cv	Voltage	Valve type	Part number
	1/8"	0.60 Cv	120VAC 24VDC	B3 Inline	B360BB553C B360BB549C
	1/4"	1.1 Cv	120VAC 24VDC	B5 Inline	B561BB553C B561BB549C
	3/8"	1.1 Cv	120VAC 24VDC	B5 Inline	B562BB553C B562BB549C
	3/8"	2.1 Cv	120VAC 24VDC	B6 Inline	B662BB553A B662BB549A
	1/2"	5.7 Cv	120VAC 24VDC	B7 Inline	B763BB553A B763BB549A
	3/4"	6.6 Cv	120VAC 24VDC	B8 Inline	B864BB553A B864BB549A
	Less base	0.50 Cv	120VAC 24VDC	B3 Subbase	B36VBB553C B36VBB549C

B5 shown, 3-Pin DIN 43650C electrical connection. Non-locking flush override.

Double Solenoid, 4-way, 3-position, PC



Symbol	Port size	Cv	Voltage	Valve type	Part number
	1/8"	0.60 Cv	120VAC 24VDC	B3 Inline	B370BB553C B370BB549C
	1/4"	1.1 Cv	120VAC 24VDC	B5 Inline	B571BB553C B571BB549C
	3/8"	1.1 Cv	120VAC 24VDC	B5 Inline	B572BB553C B572BB549C
	3/8"	2.1 Cv	120VAC 24VDC	B6 Inline	B672BB553A B672BB549A
	1/2"	5.7 Cv	120VAC 24VDC	B7 Inline	B773BB553A B773BB549A
	3/4"	6.6 Cv	120VAC 24VDC	B8 Inline	B874BB553A B874BB549A
	Less base	0.50 Cv	120VAC 24VDC	B3 Subbase	B37VBB553C B37VBB549C

B5 shown, 3-Pin DIN 43650C electrical connection. Non-locking flush override.

Viking Lite Series

Viking Xtreme Series

B Series

ADEX Series

N Series

D

Inline Valve Products



Single Remote Pilot, 3-way, 2-position, NC



Symbol	Port size	Cv	Valve type	Part number
	1/8"	0.75 Cv	B3 Inline, remote pilot	B3K0000XXC
	1/4"	1.4 Cv	B5 Inline, remote pilot	B5K1000XXC
	3/8"	1.4 Cv	B5 Inline, remote pilot	B5K2000XXC
	3/8"	2.7 Cv	B6 Inline, remote pilot	B6X2000XXA
	1/2"	5.9 Cv	B7 Inline, remote pilot	B7X3000XXA
	3/4"	7.0 Cv	B8 Inline, remote pilot	B8X4000XXA

B3 Shown, M5 remote pilot ports

Single Remote Pilot, 4-way, 2-position



Symbol	Port size	Cv	Valve type	Part number
	1/8"	0.75 Cv	B3 Inline, remote pilot	B330000XXC
	1/4"	1.4 Cv	B5 Inline, remote pilot	B531000XXC
	3/8"	1.4 Cv	B5 Inline, remote pilot	B532000XXC
	3/8"	2.7 Cv	B6 Inline, remote pilot	B632000XXA
	1/2"	5.9 Cv	B7 Inline, remote pilot	B733000XXA
	3/4"	7.0 Cv	B8 Inline, remote pilot	B834000XXA
	Less base	0.65 Cv	B3 Subbase, remote pilot	B33V000XXC

B5 Shown, M5 remote pilot ports

Double Remote Pilot, 4-way, 2-position



Symbol	Port size	Cv	Valve type	Part number
	1/8"	0.75 Cv	B3 Inline, remote pilot	B340000XXC
	1/4"	1.4 Cv	B5 Inline, remote pilot	B541000XXC
	3/8"	1.4 Cv	B5 Inline, remote pilot	B542000XXC
	3/8"	2.7 Cv	B6 Inline, remote pilot	B642000XXA
	1/2"	5.9 Cv	B7 Inline, remote pilot	B743000XXA
	3/4"	7.0 Cv	B8 Inline, remote pilot	B844000XXA
	Less base	0.65 Cv	B3 Subbase, remote pilot	B34V000XXC

B5 Shown, M5 remote pilot ports

Double Remote Pilot, 4-way, 3-position, APB



Symbol	Port size	Cv	Valve type	Part number
	1/8"	0.60 Cv	B3 Inline, remote pilot	B380000XXC
	1/4"	1.1 Cv	B5 Inline, remote pilot	B581000XXC
	3/8"	1.1 Cv	B5 Inline, remote pilot	B582000XXC
	3/8"	2.1 Cv	B6 Inline, remote pilot	B682000XXA
	1/2"	5.7 Cv	B7 Inline, remote pilot	B783000XXA
	3/4"	6.6 Cv	B8 Inline, remote pilot	B884000XXA
	Less Base	0.50 Cv	B3 Subbase, remote pilot	B38V000XXC

B5 Shown, M5 remote pilot ports

Viking Lite Series
 Viking Xtreme Series
 B Series
 ADEX Series
 N Series
 D Inline Valve Products



B3 Subbase Side Ported Subbase Manifold, Subbase Valves Only



Valve series	Valve function	## – Stations	Manifold only (NPT)	Manifold only (BSPP)
B3	4-way	02 to 12	PSJ3B1N##NP	PSJ3B1G##NP

Kits include: (1) manifold, valve hold down bolts, gaskets. For external pilot valve option "X", external manifold galley must be pressurized. Replace ## with number of valve stations.

B3 Subbase Side Ported Subbase Manifold Add-A-Fold Assembly



Valve series	Valve function	## – Stations	Manifold assembly (NPT)	Manifold assembly (BSPP)
B3	4-way	02 to 12	AAPSJ3B1N##NP	AAPSJ3B1G##GP

Kits include: (1) manifold, valve hold down bolts, gaskets and assembly. For external pilot valve option "X", external manifold galley must be pressurized.

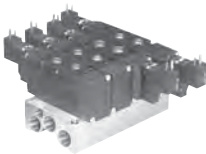
IEM Bar Manifold, Inline Valves Only



Valve series	Valve function	## – Stations	Manifold only (NPT)	Manifold only (BSPP)
B3	3-way	02 to 12	PSG3BXN##NP	PSG3BXG##NP
B3	4-way	02 to 12	PSM3BXN##NP	PSM3BXG##NP
B5	3-way	02 to 12	PSG5BXN##NP	PSG5BXG##NP
B5	4-way	02 to 12	PSM5BXN##NP	PSM5BXG##NP
B6	3-way	02 to 12	PSG6BXN##NP	PSG6BXG##NP
B6	4-way	02 to 12	PSM6BXN##NP	PSM6BXG##NP
B7, B8	4-way	02 to 12	PSM7BXN##NP	PSM7BXG##NP

Kits include: (1) manifold, valve hold down bolts, gaskets. For external pilot valve option "X", external manifold galley must be pressurized.

IEM Bar Manifold Add-A-Fold Assembly



Valve series	Valve function	## – Stations	Manifold assembly (NPT)	Manifold assembly (BSPP)
B3	3-way	02 to 12	AAPSG3BXN##NP	AAPSG3BXG##NP
B3	4-way	02 to 12	AAPSM3BXN##NP	AAPSM3BXG##NP
B5	3-way	02 to 12	AAPSG5BXN##NP	AAPSG5BXG##NP
B5	4-way	02 to 12	AAPSM5BXN##NP	AAPSM5BXG##NP
B6	3-way	02 to 12	AAPSG6BXN##NP	AAPSG6BXG##NP
B6	4-way	02 to 12	AAPSM6BXN##NP	AAPSM6BXG##NP
B7, B8	4-way	02 to 12	AAPSM7BXN##NP	AAPSM7BXG##NP

Kits include: (1) manifold, valve hold down bolts, gaskets and assembly. For external pilot valve option "X", external manifold galley must be pressurized.

How to Order: 1. List Add-A-Fold Assembly Part Number as line item 1

2. List the desired valves series part number in subsequent line items after the Add-A-Fold Assembly part number to complete the ordering code. Include all valves and blanking kits required. The left most station is station # 1 looking at the #12 end of the manifold.

Example: B3, 4-way manifold with station #1 blanked off with valves assembled

Line	Qty	Part number	Comment
1	1	AAPSM3BXN03NP	Add-A-Fold Assembly
2	1	PS2920P	Blank Plate - station 1
3	2	B3100BB549C	4-way B3 - station 2, 3

Viking Lite Series

Viking Xtreme Series

B Series

ADEX Series

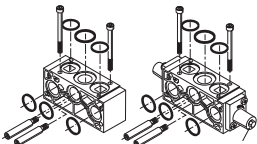
N Series

D

Inline Valve Products

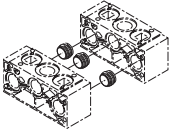
IEM Stackable Manifolds

- Individual Manifold Bases stack together to form lightweight custom length manifold system.
- Easy-to-connect male / female tie rods for modular assembly.
- Utilizes B3 and B5 4-way Inline Valves.
- Low-cost built-in Flow Controls with heavy-duty brass adjusting needles to control meter-out exhaust flow.
- Accessories include Isolator Plugs for pressure isolation and Universal Blanking Plates for auxiliary inlet and exhaust supply and future valve additions.

	Series	Type	Kit number	
			Standard	Flow control
	B3	4-way	PS2917P	PS2918P
	B5	4-way	PS2817P	PS2818P

Kit includes: (1) manifold base, (2) hold-down bolts, tie-rods, gaskets and o-rings.

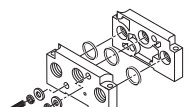
Isolator Plugs

	Series	Description	Kit number
	B3	4-way, IEM stackable	PS2919P
	B5	4-way, IEM stackable	PS2819P

Used to isolate the #1, #3 or #5 gallery between two manifold bases. (IEM stackable only)

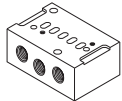
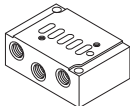
Kit includes: (3) plugs and (6) o-rings

End Plate Kits

	Series	Type	Kit number
	B3	4-way, NPT	PS2915P
	B5	4-way, NPT	PS2815P

Kit includes: right and left end plate, o-rings, socket head cap screws, flat washers and lockwashers.

Single Subbase, Subbase Valves Only

	Series	Type	Kit number
	B3	4-way, 1/4" NPT	PS2934P
		B5	4-way, 3/8" NPT

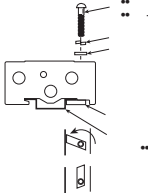
Kit includes: (1) subbase.
 (Hold down bolts & gasket are included with valve.)

Blanking Plate

		IEM universal		IEM	Subbase
		NPT	BSPP "G"	Blank	Blank
B3	3-way	PS2966P	PS2967P	PS2968P	—
	4-way	PS2920P	PS2921P	PS2969P	PS2994P
B5	3-way	PS2866P	PS2867P	PS2868P	—
	4-way	PS2820P	—	PS2869P	—
B6	3-way 4-way	PS2620P	—	—	—
B7-B8	4-way	PS2520P	—	PS2569P	—

Kit includes: (1) plate, (2) screws, seal / gaskets

DIN Rail Hardware Kit

	Valve type	IEM bar	Part number
	B3	(2) Screws, (2) Nuts, (2) Clamps	PS2991P

Viking Lite Series

Viking Xtreme Series

B Series

ADEX Series

N Series

D

Inline Valve Products

B3 Series

B3 1 0 B B 5 49 - C

Basic series	
B3 series	B3

Engineering level	
C	Current

Operator Function	
3-way	
Single solenoid, 2-position NC - air return	G
Single solenoid, 2-position NO - air return	H
Double solenoid, 2-position	J
Single remote pilot, 2-position NC - air return	K
Single remote pilot, 2-position NO - air return	L
Double remote pilot, 2-position	M
Single solenoid, 2-position NC - air return / spring assist	V
Single solenoid, 2-position NO - air return / spring assist	W
Single remote pilot, 2-position NC - air return / spring assist	X
Single remote pilot, 2-position NO - air return / spring assist	Y
4-way	
Single solenoid, 2-position - air return	1
Double solenoid, 2-position	2
Single remote pilot, 2-position - air return	3
Double remote pilot, 2-position	4
Double solenoid, 3-position - APB	5
Double solenoid, 3-position - CE	6
Double solenoid, 3-position - PC	7
Double remote pilot, 3-position - APB	8
Double remote pilot, 3-position - CE	9
Double remote pilot, 3-position - PC	0
Single solenoid, 2-position - air return / spring assist	E
Single remote pilot, 2-position - air return / spring assist	F

Options	
Blank	None
02	Solenoid rotated 180° - pins down

	Voltage [§]		
	AC		DC
	60Hz	50Hz	
42	24	22	
45			12
49			24
53	120	110	
57	240	230	
XX	Remote pilot - M5 or valve less 15mm solenoid		
YY	Remote pilot - 5/32" (4mm) tube		

Enclosure / lead length	
0	None, remote pilot valve
5	15mm 3-pin DIN 43650C (male only)
X	Valve less 15mm solenoid

Overrides [§]	
0	None, remote pilot valve
B	Flush - non-locking
C	Flush - locking
D	Extended - non-locking
E	Extended - locking
X	Valve less 15mm solenoid

Port size / thread type	
3-way	
1/8" NPT inline	0*
1/8" BSPP "G" inline	5*
4-way	
1/8" NPT inline	0*
1/8" BSPP "G" inline	5*
1/4" NPT subbase	H†
1/8" NPT face mount	T**
Subbase valve less base	V‡

* Available for use on IEM Manifolds.
 ** 4-way only.
 ‡ Subbase valves available for 4-way valves only.

Pilot source / pilot exhaust	
0	None, remote pilot valve
B†	Internal - port #1 / vented
E*	Dual pressure - port #3 / vented
K†	External - body / tapped M5
X‡	External - manifold / vented

* Not available for 3-way Valves.
 † Not available for Remote Pilot Valves.
 ‡ See Pilot Source Note below.

§ Enclosure '5'
 - Override / Voltage Availability
 S - Standard
 O - Option

Voltage code	Override code Standard			
	B	C	D	E
42	O	O	-	-
45	O	O	-	-
49	S	S	O	O
53	S	S	O	O
57	O	O	-	-
Voltage code	"02" Option			
	B	C	D	E
42	O	O	-	-
45	O	O	-	-
49	S	S	O	O
53	S	S	O	O
57	O	O	-	-

Viking Lite Series

Viking Xtreme Series

B Series

ADEX Series

N Series

D

Inline Valve Products

Pilot Source 'X'
 External-Manifold / Vented

INLINE & SUBBASE Valves -
 Only used IF an IEM or 5-Ported Subbase Aluminum Bar Manifold requires a common external pilot signal through the manifold for low pressure / vacuum applications OR when used with Sandwich Regulators.

Most popular.



B5 Series

B5 1 1 B B 5 49 - C

Basic series
 B5 series **B5**

Engineering level
 Current **C**

Operator function	
3-way	
Single solenoid, 2-position NC - air return	G
Single solenoid, 2-position NO - air return	H
Double solenoid, 2-position	J
Single remote pilot, 2-position NC - air return	K*
Single remote pilot, 2-position NO - air return	L*
Double remote pilot, 2-position	M*
Single solenoid, 2-position NC - air return / spring assist	V
Single solenoid, 2-position NO - air return / spring assist	W
Single remote pilot, 2-position NC - air return / spring assist	X*
Single remote pilot, 2-position NO - air return / spring assist	Y*
4-way	
Single solenoid, 2-position - air return	1
Double solenoid, 2-position	2
Single remote pilot, 2-position - air return	3*
Double remote pilot, 2-position	4*
Double solenoid, 3-position - APB	5
Double solenoid, 3-position - CE	6
Double solenoid, 3-position - PC	7
Double remote pilot, 3-position - APB	8*
Double remote pilot, 3-position - CE	9*
Double remote pilot, 3-position - PC	0*
Single solenoid, 2-position - air return / spring assist	E
Single remote pilot, 2-position - air return / spring assist	F*

* Pilot source/pilot exhaust, override, and enclosure must be "0".

Port Size / Thread Type	
3-way	
1/4" NPT inline	1*
3/8" NPT inline	2*
1/4" BSPP "G" inline	6*
3/8" BSPP "G" inline	7*
4-way	
1/4" NPT inline	1*
3/8" NPT inline	2*
1/4" BSPP "G" inline	6*
3/8" BSPP "G" inline	7*
3/8" NPT subbase	J†
1/4" NPT NAMUR mount	T††
Subbase valve less base - NPT	V‡
1/4" BSPP "G" NAMUR mount	W††

* Available for use on IEM manifolds.
 † 4-way only.
 ‡ Available with pilot source "0", "A", and "B" only.

Pilot Source / Pilot Exhaust	
Enclosures "0, 5 & X"	
None, remote pilot valve	0
Internal - port #1 / tapped M5	A†
Internal - port #1 / vented	B†
Dual pressure - port #3 / vented	E*
External - body / tapped M5	K†
External - manifold / vented	X†
Enclosures "A, B, C, D, E, F, G, H, N, Q & R"	
Internal - port #1 / tapped M5	A†
Internal - port #1 / vented	B†
Dual pressure - port #3 / tapped M5	D††
External - body / tapped 1/8"	K†

* Not available for 3-way valves.
 † Not available for remote pilot valves.
 ‡ See pilot source note below.

Overrides‡	
None. Remote pilot valve	0
No override	A†
Flush - non-locking	B*
Flush - locking	C
Extended - non-locking	D
Extended - locking	E*
Valve less 15mm solenoid	X

* Only available with encl. "5".
 † Only available with encl. "E".

Options	
Blank	None
02	Solenoid rotated 180° - pins down
MD††	Manual detent
VO*	Fluorocarbon seals

* Not available with enclosure "0", "5", "X", "E" or "F".
 †† Only available with operator function 1 & 3 and Enclosure "N", "X" or mobile voltages upon request.

	AC		DC
	60Hz	50Hz	
42	24	22	
45			12
49			24
53	120	110	
57	240	230	
XX	Remote pilot - M5 or valve less solenoid		
YY	Remote pilot - 5/32" (4mm) tube		

Enclosure / lead length	
0	None, remote pilot valve
5	15mm 3-pin DIN 43650C (male only)
A	30mm square 3-pin - ISO 4400 form A (male only)
B	22mm rectangular 3-pin - type B industrial (male only)
C	3-pin automotive - mini
D	5-pin automotive - mini
E*	Intrinsically safe - 30mm 3-pin
F**	Hazardous duty 1/2" NPT conduit - 18" leads
G	Grommet - 18" leads
H	1/2" NPT conduit - 18" leads
N	Valve less "A - R" coil
Q†	Grommet - 72" leads
R	1/2" NPT conduit - 72" leads
X	Valve less 15mm solenoid

* 24 VDC & override "A" only.
 ** 12 VDC, 24 VDC, 120 VAC or 240 VAC.
 † 24 VDC only.

Note: for mobile voltages, contact the application team.

§ Enclosure '5' - Override / Voltage Availability

S - Standard
 O - Option

Voltage code	Override code Standard				Voltage code	Override code "02" Option			
	B	C	D	E		B	C	D	E
42	O	O	-	-	42	O	O	-	-
45	O	O	-	-	45	O	O	-	-
49	S	S	O	O	49	S	S	O	O
53	S	S	O	O	53	S	S	O	O
57	O	O	-	-	57	O	O	-	-

Pilot Source 'X'
 External-Manifold / Vented or Tapped M5

INLINE & SUBBASE Valves -
 Only used IF an IEM Aluminum Bar Manifold requires a common external pilot signal through the manifold for low pressure / vacuum applications.

□ Most popular.



B6 Series

B6 1 2 B B 5 49 - A

Basic series	
B6 series	B6

Engineering level	
A	Current

Operator function	
3-way	
Single solenoid, 2-position NC - air return / spring assist	V
Single solenoid, 2-position NO - air return / spring assist	W
Single remote pilot, 2-position NC - air return / spring assist	X
Single remote pilot, 2-position NO - air return / spring assist	Y
4-way	
Single solenoid, 2-position - air return	1
Double solenoid, 2-position	2
Single remote pilot, 2-position - air return	3
Double remote pilot, 2-position	4
Double solenoid, 3-position - APB	5
Double solenoid, 3-position - CE	6
Double solenoid, 3-position - PC	7
Double remote pilot, 3-position - APB	8
Double remote pilot, 3-position - CE	9
Double remote pilot, 3-position - PC	0
Single solenoid, 2-position - air return / spring assist	E
Single remote pilot, 2-position - air return / spring assist	F

Options	
Blank	None
02	Solenoid rotated 180° - pins down
42*	Series cylinder mount replacement

* Only available with port size "T" and "0", "A", "B", and "L" pilot source.

	Voltage [§]		
	AC		DC
	60Hz	50Hz	
42	24	22	
45			12
49			24
53	120	110	
57	240	230	
XX	Remote pilot - M5 or valve less 15mm solenoid		
YY	Remote pilot - 5/32" (4mm) tube		

Port size / thread type	
3-way / 4-way	
3/8" NPT inline	2*
3/8" BSPP "G" inline	7*
3/8" NPT NAMUR mount	T†

* Available for use on IEM manifolds.

† 4-way only. Available with pilot source "0", "A", "B" and "L" only.

Pilot source / pilot exhaust	
Enclosures "0, 5 & X"	
None. Remote pilot valve	0
Internal - Port #1 / tapped M5	A†
Internal - Port #1 / vented	B†
Dual pressure - port #5 / vented	H
External - Body / tapped M5	K†
Enclosures "A, B, C, D, E, F, G, H, N, Q & R"	
Internal - Port #1 / tapped M5	A†
Internal - Port #1 / vented	B†
External - Body / tapped 1/8"	K†

* Not available for 3-way valves.

† Not available for remote pilot valves.

Overrides [§]	
None, remote pilot valve	0
No override	A†
Flush - non-locking	B*
Flush - locking	C
Extended - non-locking	D
Extended - locking	E*
Valve less 15mm solenoid	X

* Only available with enclosure "5".

† Only available with enclosure "E".

Enclosure / lead length	
0	None, remote pilot valve
5	15mm 3-pin DIN 43650C (male only)
A	30mm square 3-pin - ISO 4400 form A (male only)
B	22mm rectangular 3-pin - Type B industrial (male only)
E*	Intrinsically safe - 30mm 3-pin
F**	Hazardous duty 1/2" NPT conduit - 18" leads
G	Grommet - 18" leads
H	1/2" NPT conduit - 18" leads
N	Valve less "A - R" coil
Q	Grommet - 72" leads
R	1/2" NPT conduit - 72" leads
X	Valve less 15mm solenoid

* 24 VDC & override "A" only.

** 12 VDC, 24 VDC, 120 VAC or 240 VAC.

† 24 VDC only.

§ Enclosure '5' - Override / Voltage Availability

S - Standard

O - Option

Voltage code	Override code Standard				Voltage code	Override code "02" Option			
	B	C	D	E		B	C	D	E
42	O	O	-	-	42	O	O	-	-
45	O	O	-	-	45	O	O	-	-
49	S	S	O	O	49	S	S	O	O
53	S	S	O	O	53	S	S	O	O
57	O	O	-	-	57	O	O	-	-

INLINE Valves -
 Only used IF an IEM Aluminum Bar Manifold requires a common external pilot signal through the manifold for low pressure / vacuum applications.

Most popular.



Viking Lite Series

Viking Xtreme Series

B Series

ADEX Series

N Series

D Inline Valve Products

B7 & B8 Series

B7 1 3 A B G 53 - A

Basic series	
B7 series	B7
B8 series	B8

Engineering level	
A	Current

Options	
Blank	None

Operator function	
3-way	
Single solenoid, 2-position NC - air return / spring assist	V
Single solenoid, 2-position NO - air return / spring assist	W
Single remote pilot, 2-position NC - air return / spring assist	X
Single remote pilot, 2-position NO - air return / spring assist	Y
4-way	
Single solenoid, 2-position - air return	1
Double solenoid, 2-position	2
Single remote pilot, 2-position - air return	3
Double remote pilot, 2-position	4
Double solenoid, 3-position - APB	5
Double solenoid, 3-position - CE	6
Double solenoid, 3-position - PC	7
Double remote pilot, 3-position - APB	8
Double remote pilot, 3-position - CE	9
Double remote pilot, 3-position - PC	0
Single solenoid, 2-position - air return / spring assist	E
Single remote pilot, 2-position - air return / spring assist	F

	Voltage [§]		
	AC		DC
	60Hz	50Hz	
42	24	22	
45			12
49			24
53	120	110	
57	240	230	
XX	Remote pilot - M5 or valve less solenoid		
YY	Remote pilot - 5/32" (4mm) tube		

Enclosure / lead length	
0	None, remote pilot valve
5	15mm 3-pin DIN 43650C (male only)
A	30mm square 3-pin - ISO 4400 form A (male only)
B	22mm rectangular 3-pin - Type B industrial (male only)
E*	Intrinsically safe - 30mm 3-pin
F**	Hazardous duty 1/2" NPT conduit - 18" leads
G	Grommet - 18" leads
H	1/2" NPT conduit - 18" leads
N	Valve less "A - R" coil
R	1/2" NPT conduit - 72" leads
X	Valve less 15mm solenoid

* 24 VDC & Override "A" only.

** 12 VDC, 24 VDC, 120 VAC or 240 VAC.

Port size / thread type	
B7 series	
1/2" NPT inline	3*
1/2" BSPP "G" inline	8*
B8 series	
3/4" NPT inline	4*
3/4" BSPP "G" inline	9*

* Available for use on IEM manifolds.

Pilot source / pilot exhaust	
Enclosures "0, 5 & X"	
None. Remote pilot valve	0
Internal - Port #1 / tapped M5	A†
Internal - Port #1 / vented	B†
External - Body / tapped M5	K†
Enclosures "A, B, C, D, E, F, G, H, N, Q & R"	
Internal - Port #1 / tapped M5	A†
Internal - Port #1 / vented	B†
External - Body / tapped 1/8"	K†

† Not available for remote pilot valves.

Overrides [§]	
None, remote pilot valve	0
No override	A†
Flush - non-locking	B*
Flush - locking	C
Extended - non-locking	D
Extended - locking	E*
Valve less 15mm solenoid	X

* Only available with encl. "5".

† Only available with encl. "E".

§ Enclosure '5' - Override / Voltage Availability

S - Standard

O - Option

Voltage code	Override code			
	B	C	D	E
	§	§	«	«
	§	§	«	«
	‡	‡	§	§
	‡	‡	§	§
	§	§	«	«

Viking Lite Series

Viking Xtreme Series

B Series

ADEX Series

N Series

D

Inline Valve Products

INLINE Valves -

Only used IF an IEM Aluminum Bar Manifold requires a common external pilot signal through the manifold for low pressure / vacuum applications.

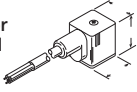
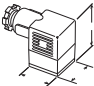


Voltage					Voltage					B5, B6, B7, B8		B5, B6, B7, B8	
Enclosure "5"					Enclosure "A"					Enclosure "A"		Enclosure "B" to "R"	
AC					AC								
Code	60Hz	50Hz	DC	Power consumption	Holding (Amps)	Code	60Hz	50Hz	DC	Power consumption	Holding (Amps)	Power consumption	Holding (Amps)
42	24	22		1.6VA	.065	42	24	22		3.9VA	.136	7.3VA	.309
45			12	1.2W	.098	45			12	2.6W	.208	4.6W	.365
47*			12	0.91W	.074	47*			12	—	—	4.9W	.298
48*			24	0.91W	.033	48*			24	—	—	4.8W	.142
49			24	1.2W	.049	49			24	2.7W	.112	4.8W	.200
53	120	110		1.6W	.013	53	120	110		4.1VA	.033	6.3VA	.047
57	240	230		1.6W	.007	57	240	230		3.7VA	.017	6.4VA	.026

Note: For enclosure "5" with "02" Option, solenoid wattage is 1.8W (2.4VA). Response time is 10% faster. Voltage rated +10 / -15%.

* 47 and 48 code are mobile voltages. voltage +25 / -30%.

15mm 3-Pin DIN 43650C

Connector with cord	Cord length	Connector	Connector only	Connector with cord
	18 Inches	PS2932BP		PS2932HBP
	6 Feet	PS2932BP		PS2932JBP
	6 Feet	PS294675BP		PS2946J75BP*
	6 Feet	PS294679BP		PS2946J79BP*
	6 Feet	PS294683BP		PS2946J83BP*
		PS294687BP		N/A

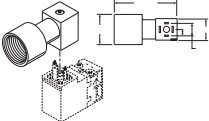
* LED with surge suppression.

Note: Max ø6.5mm cable size required for connector w/o 6' (2m) cord. IP65 rated when properly installed.

Engineering data:

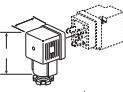
- Conductors: 2 poles plus ground
- Cable range (connector only): 4 to 6mm (0.16 To 0.24 Inch)
- Contact spacing: 8mm

15mm 3-Pin DIN 43650C to 1/2" Conduit

Description	Connector
 1/2" NPTF conduit – Unlighted with 3' (1m) leads 20 AWG wire	PS2998P

Note: Rated up to 250VAC or VDC; 6 amps IP65 rated when properly installed.

30mm Square 3-Pin – ISO 4400, DIN 43650A (Use with Enclosure "A")

Description	Connector with 6' (2m) cord	Connector
 Unlighted	PS2028JCP	PS2028BP
Light – 6-48V, 50/60Hz, 6-48VDC	PS2032J79CP*	PS203279BP
Light – 120V/60Hz	PS2032J83CP*	PS203283BP
Light – 240V/60Hz	N/A	PS203283BP

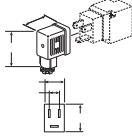
* LED with surge suppression.

Note: Max ø6.5mm cable size required for connector w/o 6' (2m) cord. IP65 rated when properly installed.

Engineering data:

- Conductors: 2 poles plus ground; cable range (connector only): 8 to 10mm (0.31 To 0.39 Inch); contact spacing: 18mm

22mm Rectangular 3-Pin – Type B Industrial (Use with Enclosure "B")

Description	Connector with 6' (2m) cord	Connector
 Unlighted	PS2429JBP	PS2429BP
Light – 24V60Hz, 24VDC	PS2430J79BP*	PS243079BP
Light – 120V/60Hz	PS2430J83BP*	PS243083BP
Light – 240V/60Hz	N/A	PS243087BP

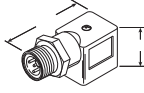

* LED with surge suppression.

Note: Max ø6.5mm cable size required for connector w/o 6' (2m) cord. IP65 rated when properly installed.

Engineering Data:

- Conductors: 2 Poles Plus Ground; Cable Range (Connector Only): 6 to 8mm (0.24 to 0.31 Inch); Contact Spacing: 11mm

3-Pin / 5-Pin Male Automotive Connectors (Use on 22mm Rectangular 3-Pin Solenoid)

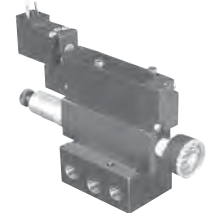
Description	3-pin	5-pin
 Unlighted	PS2893CP	PS2893DP
 Lighted - Voltage	PS2893C##P	PS2893D##P

– 79 = 6 to 48VAC/VDC

83 = 100 to 240VAC/48 to 120 VDC

Sandwich Regulators

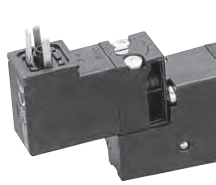
- Use with B3 subbase valves on 5-ported subbase bar manifolds.
- Common port or dual port regulation control.
- Unregulated pressure supplied to valve pilot - use pilot source - 'X'.
- Easy adjust knob control.



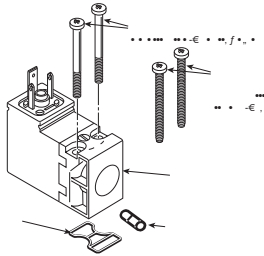
Pressure range	Cv	Common port with gauge *	Dual port without gauge
5-125 PSI	.33	PS2930166P	PS2930233P

* Gauge is 160 PSI. Gauge shipped unassembled. For different gauge mounting configuration, use brass adapters listed at bottom of page.

Solenoid Kits – B3 ‘C’, B5 ‘C’, B6 ‘A’, B7 ‘A’, B8 ‘A’ 3-Pin, EN175301-803 (Former DIN 43650C), 15mm



Standard



“02” Option

PS2982*##P – Enclosure ‘5’

	## Voltage						
Override	42	45	47*	48*	49	53	57
B	O	O	-	-	S	S	O
C	O	O	-	-	S	S	O
D	-	-	O	O	O	O	-
E	-	-	O	O	O	O	-

S - Standard; O - Option

* Mobile voltage

Kit includes: Solenoid, (2) machine screws, (2) self threading screws, (1) gasket, (1) 3-cell gasket.

PS3541*##P – Enclosure ‘5 with “02” Option

	## Voltage				
Override	42	45	49	53	57
B	O	O	S	S	O
C	O	O	S	S	O
D	-	-	O	O	-
E	-	-	O	O	-

Solenoid Kits Alternate Enclosures



Enclosures / lead length	
30mm square 3-pin – ISO 4400 form A (male only)	A
22mm rectangular 3-pin – type B industrial (male only)	B
Hazardous duty, FM / CSA	F*
Grommet - 18" leads	G
1/2" NPT conduit - 18" leads	H
Grommet 72" leads	Q
1/2" Conduit 72" leads	R

Voltage / frequency	
42	24VAC
45	12VDC
47*	12 VDC mobile
48*	24 VDC mobile
49	24VDC
53	120VAC
57	240VAC

* Only available with enclosures "A", "B" & "G".

* Only available with voltage codes "45", "49", "53" & "57".



Option A & E
 30mm Square
 3-pin ISO 4400, DIN 43650A



Option B
 22mm Rectangular
 3-pin DIN, Type B Industrial



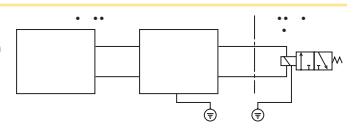
Option G & Q
 Grommet, 18" or 72" Leads



Option F, H & R
 1/2" Conduit, 18" or 72" Leads

Intrinsically Safe Solenoid Valves (“E” Option)

Hazardous Location Class:
 Class I; Groups A, B, C & D
 Class II; Groups E, F, & G
 Class III; Div. I



For use in low voltage (24VDC) Intrinsically Safe applications.
NO OTHER VOLTAGE IS APPROVED.
 36mm coil width.

Comes standard with non-lighted solenoid connector.
Must be connected to an FM approved Barrier.

For dimensions. reference standard solenoid models.
 Maximum internally piloted valve pressure is 115 PSIG.
 Pressures to 145 PSIG can be used when external pilot is utilized and pilot pressure is limited to 115 PSIG.

Intrinsically Safe Solenoid Pilot Assembly Kits

Description	Part number
24VDC	P2FS13N1AE49

Hazardous Duty Solenoid Valves (“F” Option)

Hazardous Location Class:
 Class I; Zone I EX, M, II & T4
 Class I; Div. I. Groups A, B, C, & D
 Class II & III; Div. I. Groups E, F, & G

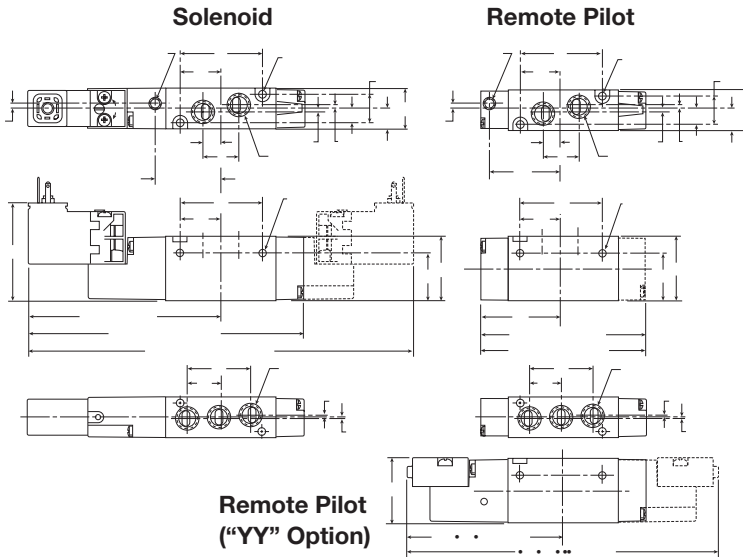


Comes standard with 1/2" conduit connection.
 Voltage range = ± 10%
 Ambient temperature range = -20°C (-4°F) to 60°C (140°F)
 Duty factor = 100%
 IP65 rated (with connected conduit connector)

Notes:

1. Maximum non-hazardous location voltage not to exceed 250V RMS.
2. Connect per Barrier Manufacturers instructions.
3. Factory Mutual requires connections per ISA RP 12.6 instructions.
4. CSA requires "Installation to be in accordance with the Canadian Electrical Code. Part I."
5. The hazardous duty coils are wider in size than both the B5 and the B6 valve.
 If mounted on a manifold, the valves need to be staggered to fit.

B3 Single & Double Operators – 4-way Inline

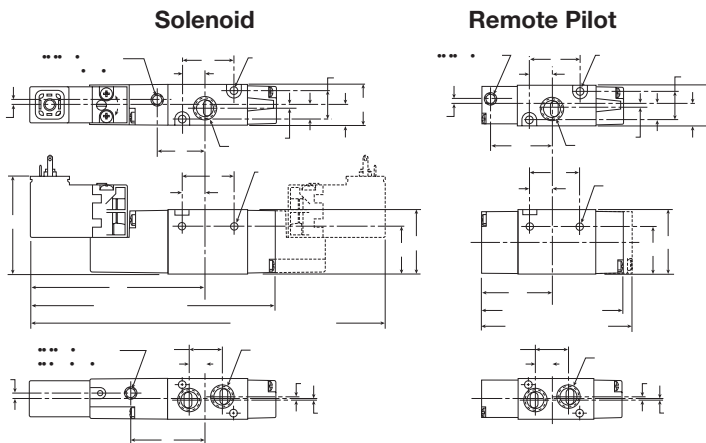


B3 4-way Inline

A	A1	A2	A3	B
4.67 (119)	6.44 (164)	3.12 (79)	3.33 (85)	1.66 (42)
C	C1	D	D1	E
1.13 (39)	.84 (21)	3.22 (82)	1.66 (42)	1.47 (37)
E1	F	F1	G	G1
.74 (19)	.63 (16)	.32 (8)	1.13 (29)	1.50 (38)
H	H1	J	J1	K
.71 (18)	.36 (9)	.51 (13)	.26 (7)	.06 (2)
L	M	M1	N	N1
.11 (3)	1.12 (28)	.56 (14)	.05 (1)	.05 (1)
P	Q	R	S	
∅ .13 (3.3)	2.69 (68)	5.37 (136)	1.16 (29)	

Inches (mm)

B3 Single & Double Operators – 3-way Inline

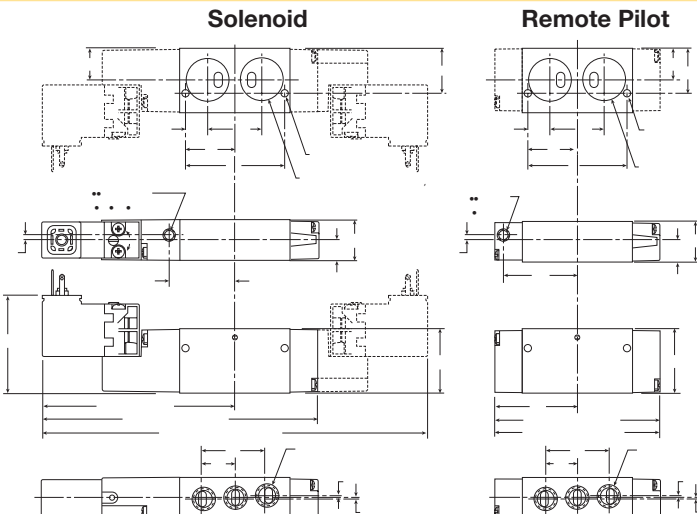


B3 3-way Inline

A	A1	A2	A3	B
4.20 (107)	5.96 (151)	2.65 (67)	2.86 (73)	1.66 (42)
C	C1	D	D1	E
1.13 (39)	.84 (21)	2.93 (74)	1.38 (35)	.98 (25)
E1	F	G	G1	H
.44 (11)	1.32 (34)	.85 (22)	1.22 (31)	.71 (18)
H1	J	J1	K	L
.36 (9)	.51 (13)	.26 (7)	.06 (2)	.11 (3)
M	M1	N	N1	P
.63 (16)	.27 (7)	.12 (3)	.06 (2)	∅ .13 (3.3)
Q				
.08 (2)				

Inches (mm)

B3 Single & Double Operators – 4-way Face Mount



B3 4-way Face Mount

A	A1	A2	A3	B
4.67 (119)	6.44 (164)	3.12 (79)	3.33 (85)	1.66 (42)
B2	C	C1	D	D1
.58 (15)	1.13 (29)	.81 (21)	3.22 (82)	1.66 (42)
E	E1	E2	E3	G
1.74 (44)	.87 (22)	.39 (10)	.95 (24)	1.13 (29)
G1	H	H1	L	M
1.50 (38)	.71 (18)	.36 (9)	.11 (3)	1.12 (28)
M1	N	N1	P	
.56 (14)	.05 (1)	.05 (1)	∅ .13 (3.3)	

Inches (mm)



Viking Lite Series
 Viking Xtreme Series

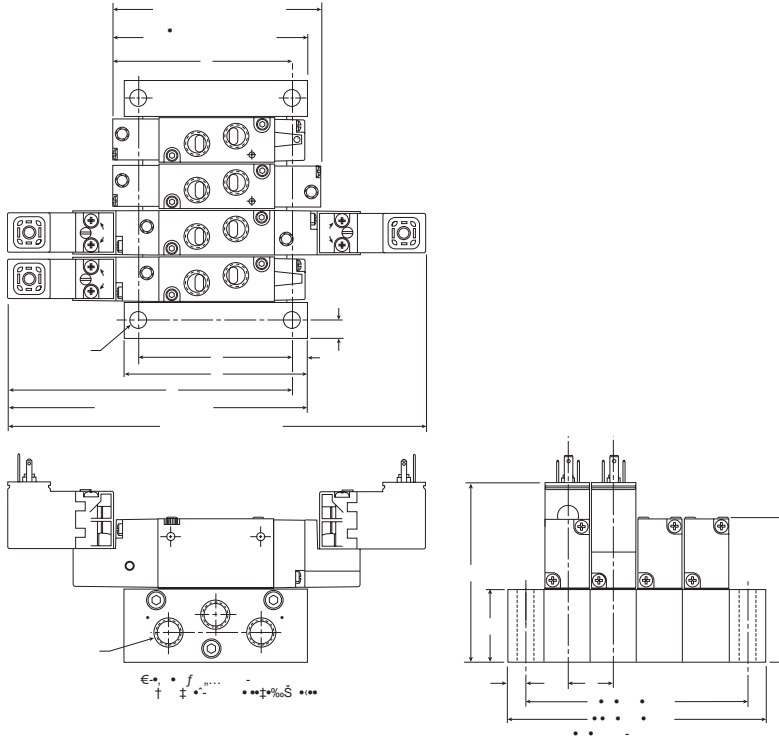
B Series

ADEX Series

N Series

D
 Inline Valve Products

B3 Single & Double Operators – 4-way IEM Stackable



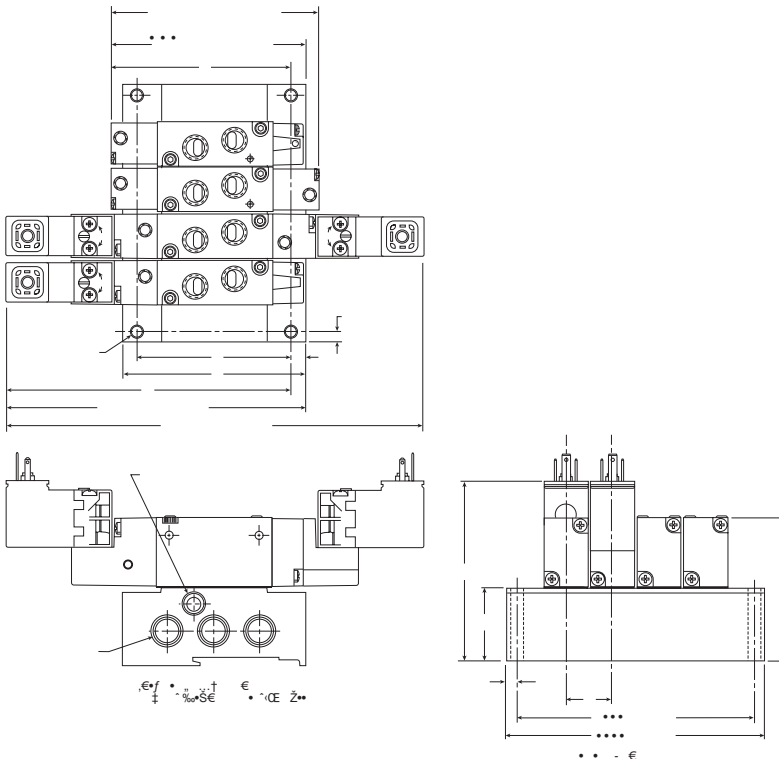
B3 4-way IEM Stackable

A	C	D	E	F
3.33 (84.6)	3.12 (79.2)	2.91 (73.9)	.30 (7.6)	2.49 (63.3)
G	H	J	K	L
.25 (6.4)	3.00 (76.2)	4.46 (113.3)	4.67 (118.6)	6.43 (163.3)
N	P	Q	R	
2.91 (73.9)	1.25 (31.8)	2.38 (60.5)	.74 ±.01 (18.8) ± .3	
S	T	U		
1.34 (34.0)	1.94 (49.3)	Ø .28 Ø (7.1)		

Inches (mm)

Viking Lite Series
 Viking Xtreme Series
B Series
 ADEX Series
 N Series
D Inline Valve Products

B3 Single & Double Operators – 4-way IEM Aluminum Bar



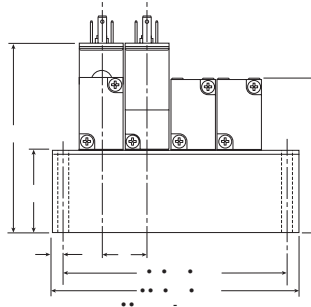
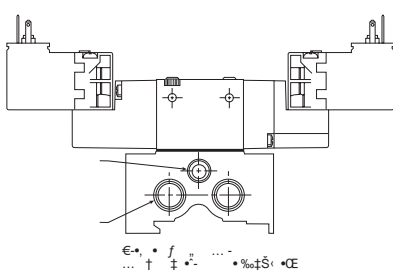
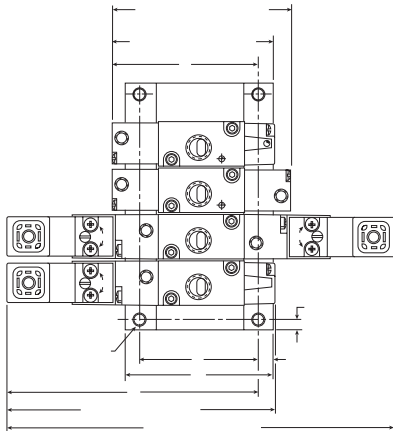
B3 4-way IEM Aluminum Bar Manifold

A	C	D	E	F
3.33 (84.6)	3.17 (80.5)	2.94 (74.7)	.25 (6.4)	2.54 (64.5)
G	H	J	K	L
.23 (5.9)	3.00 (76.2)	4.50 (114.2)	4.73 (120.1)	6.43 (163.3)
N	P	Q	R	S
2.94 (74.7)	1.28 (32.5)	2.41 (61.2)	.81 (20.5)	1.13 (28.8)
T	U			
1.64 (41.6)	Ø .23 Ø (5.8)			

Inches (mm)



B3 Single & Double Operators – 3-way IEM Aluminum Bar



B3 4-way IEM Aluminum Bar Manifold

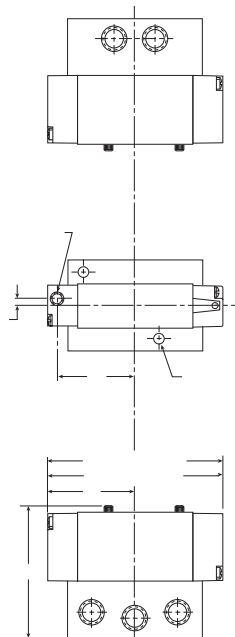
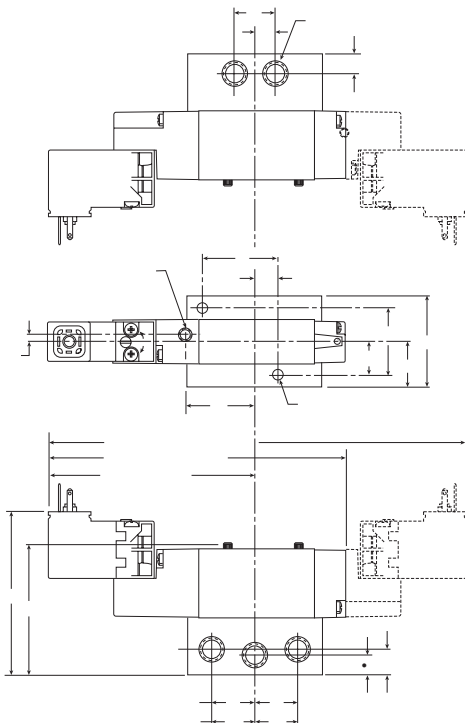
A	C	D	E	F
2.86 (72.6)	2.65 (67.3)	2.33 (59.2)	.25 (6.4)	1.80 (45.7)
G	H	J	K	L
.23 (5.9)	2.25 (57.2)	3.88 (98.6)	4.20 (106.7)	5.96 (151.4)
N	P	Q	R	S
2.93 (74.5)	1.27 (32.4)	2.40 (61.1)	.81 (20.5)	1.13 (28.8)
T	U			
1.64 (41.6)	∅ .23 ∅ (5.8)			

Inches (mm)

B3 Single & Double Operators – 4-way Single Subbase

Solenoid

Remote Pilot



B3 4-way Single Subbase

A	A₁	A₂	A₃	B
4.67 (119)	6.44 (164)	3.12 (79)	3.33 (85)	2.63 (67)
B₁	C	C₁	D	D₁
2.21 (56)	.47 (12)	.37 (9)	3.22 (82)	1.66 (42)
E	E₁	F	F₁	G
1.25 (32)	.38 (10)	.69 (18)	.34 (9)	1.13 (29)
G₁	H	H₁	J	J₁
1.50 (38)	1.50 (38)	.75 (19)	1.12 (28)	.56 (14)
L	M	M₁	P	
.11 (3)	.71 (18)	.76 (19)	∅ .18 ∅ (4)	

Inches (mm)

Viking Lite Series

Viking Xtreme Series

B Series

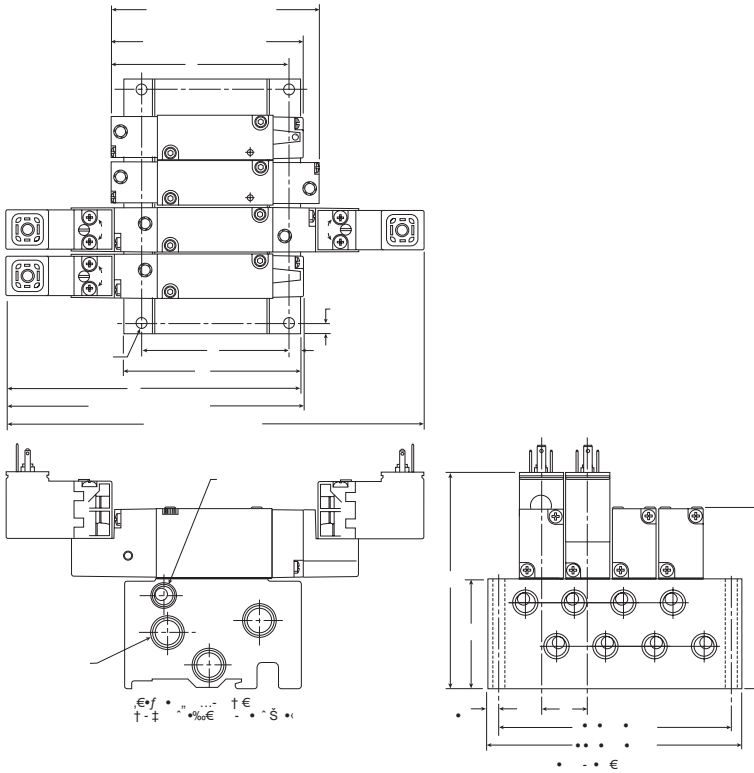
ADEX Series

N Series

D Inline Valve Products



B3 Single & Double Operators – 5-port Subbase Bar Manifold

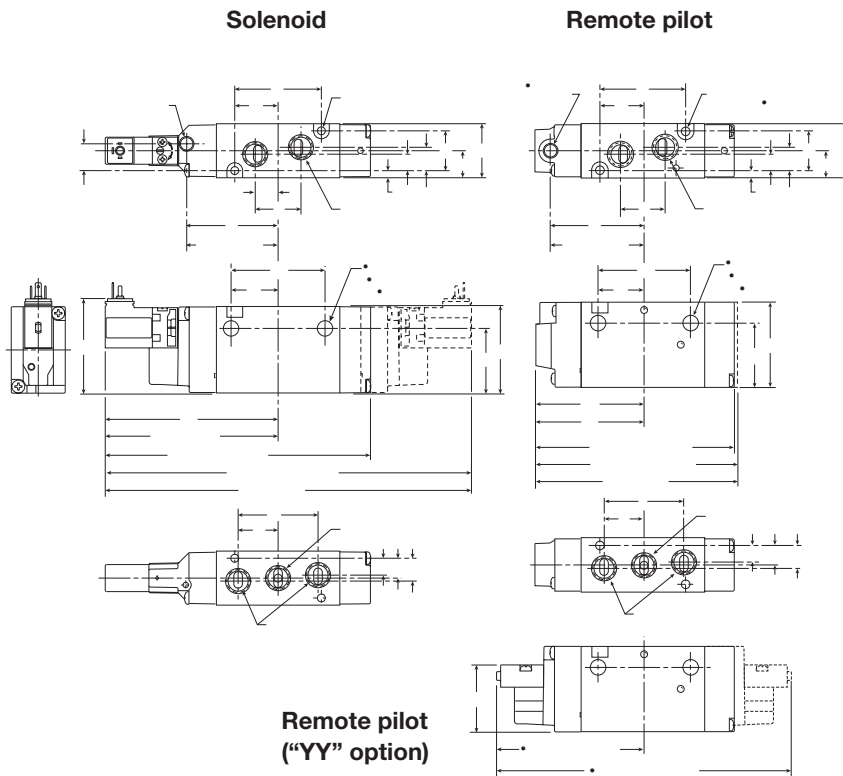


B3 5-port Subbase Bar Manifold

A	C	D	E	F
3.33 (84.6)	3.12 (79.2)	2.88 (73.2)	.25 (6.3)	2.43 (61.7)
G	H	J	K	L
.22 (5.5)	2.93 (74.5)	4.66 (118.3)	4.67 (118.6)	6.43 (166.3)
N	P	Q	R	S
3.47 (88.2)	1.81 (46.0)	2.94 (74.7)	.81 (20.5)	1.39 (35.4)
T	U			
1.89 (48.0)	∅ .22 ∅ (5.6)			

Inches (mm)

B5 Single & Double Operators – 4-way Inline

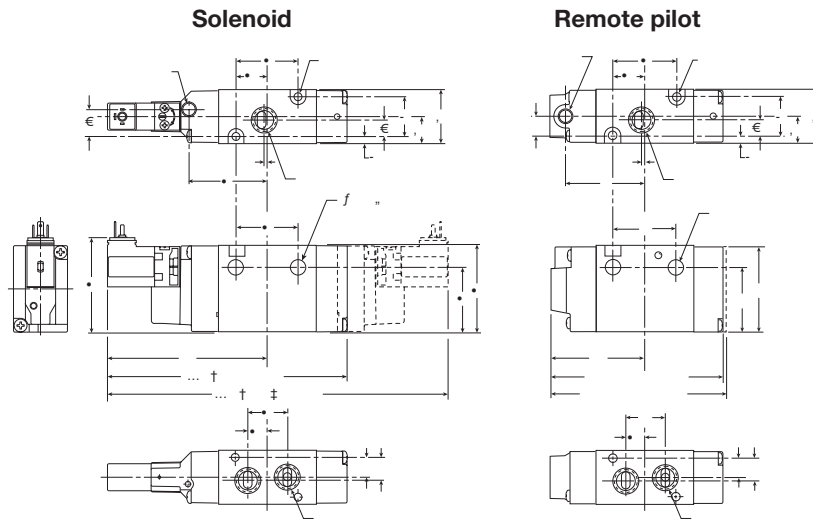


B5 4-way Inline

A	A ₁	A ₂	A ₃	A ₄
5.78 (147)	7.51 (191)	8.45 (215)	4.37 (110)	4.70 (119)
A ₅	B	C	C ₁	D
5.64 (143)	2.06 (52)	1.18 (30)	.59 (15)	3.76 (96)
D ₁	D ₂	D ₃	E	E ₁
4.23 (107)	2.35 (60)	2.82 (72)	1.89 (48)	.95 (24)
F	F ₁	G	G ₁	H
2.01 (51)	2.47 (63)	1.00 (25)	.50 (13)	.87 (22)
H ₁	J	J ₁	J	K
.16 (4)	.51 (13)	.36 (9)	.58 (15)	2.00 (51)
K ₁	L	M	N	P
2.47 (63)	1.75 (44)	.88 (22)	.43 (48)	.50 (13)
P ₁	Q	R	S	S ₁
.37 (92)	1.89 (48)	1.41 (36)	2.05 (52)	1.03 (26)
T	U	V	W	X
∅ .177 ∅ (4.5)	∅ .34 ∅ (9)	3.24 (82)	6.48 (165)	1.50 (383)

Inches (mm)

B5 Single & Double Operators – 3-way Inline

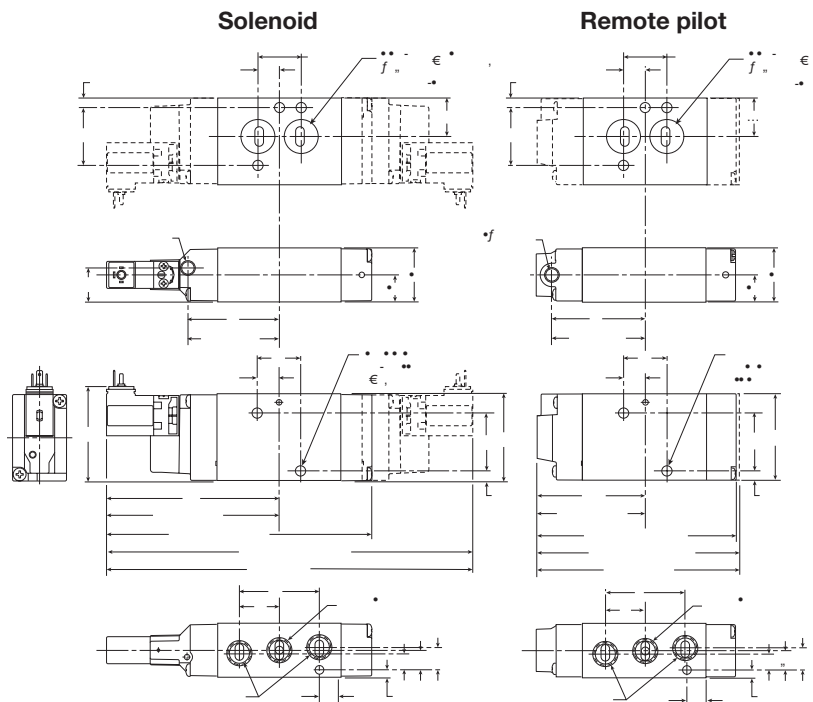


B5 3-way Inline

A 5.29 (134)	A₁ 7.03 (179)	A₂ 3.88 (99)	A₃ 4.21 (107)	B 2.06 (52)
C 1.18 (30)	C₁ .59 (15)	D 3.43 (87)	D₁ 2.11 (54)	E 1.40 (36)
E₁ .70 (18)	F 1.77 (45)	F₁ .43 (11)	G .06 (2)	H .87 (22)
H₁ .16 (4)	J₁ .36 (9)	J₂ .58 (15)	K 1.67 (42)	M .88 (22)
M₁ .44 (11)	P .50 (13)	P₁ .37 (9)	Q 1.89 (48)	R 1.41 (36)
T Ø .177 Ø (4.5)	U Ø .26 Ø (6.6)			

Inches (mm)

B5 Single & Double Operators – 4-way NAMUR Mount

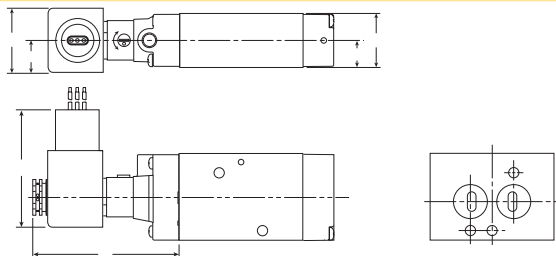


B5 4-way NAMUR Mount

A 5.78 (147)	A₁ 7.51 (191)	A₂ 8.45 (215)	A₃ 4.37 (110)	A₄ 4.70 (119)
A₅ 5.64 (143)	B 2.06 (52)	B₂ .84 (21)	C 1.18 (30)	C₁ .59 (15)
D 3.76 (96)	D₁ 4.23 (107)	D₂ 2.35 (60)	D₃ 2.82 (72)	F 2.01 (51)
F₁ 2.47 (63)	J₃ .74 (19)	K 2.00 (51)	K₁ 2.47 (63)	L 1.75 (44)
M .88 (22)	N .44 (11)	P .37 (9.4)	P₁ .50 (13)	P₂ .16 (4)
P₃ .40 (10)	Q 1.89 (48)	R 1.26 (32)	R₁ .21 (5)	S .94 (24)
S₁ .47 (12)	U Ø .224 Ø (5.7)			

Inches (mm)

B5 Alternative Electrical Enclosure Option F

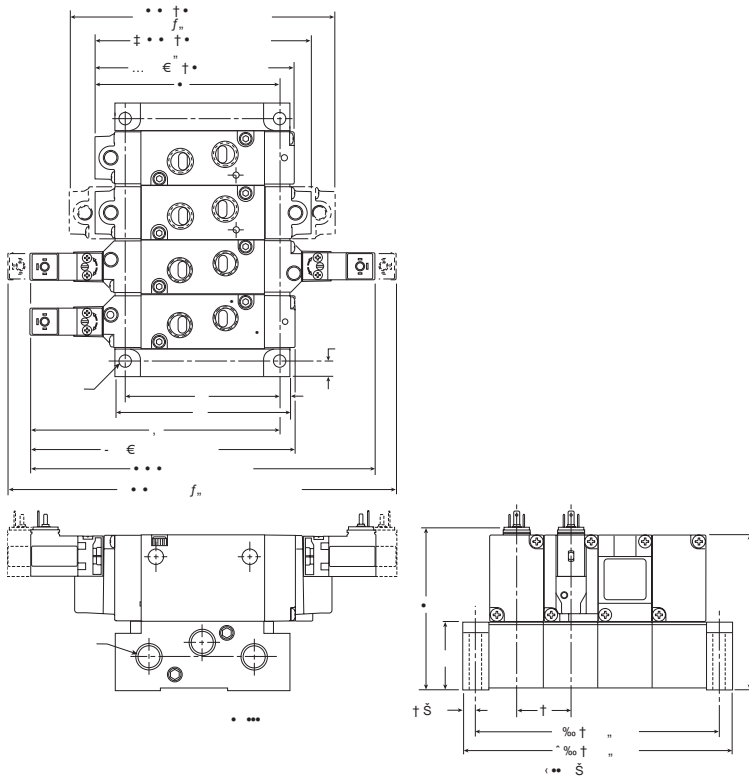


B5 4-way NAMUR Mount with Option F Enclosure

C 1.18 (30)	C₁ .59 (15)	C₂ 1.42 (36)	C₃ .71 (18)	F 3.15 (80)
G 2.60 (66)				

Inches (mm)

B5 Single & Double Operators – 4-way IEM Stackable

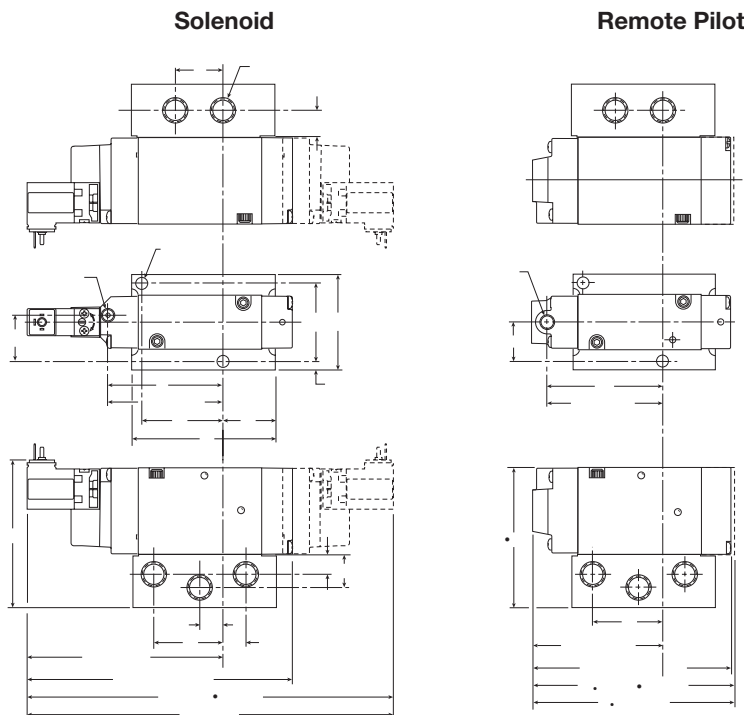


B5 4-way IEM Stackable

A	B	C	D	E
5.64 (143.3)	4.70 (119.4)	4.37 (110.0)	4.29 (109.0)	.29 (7.4)
F	G	H	J	K
3.44 (87.4)	.24 (6.1)	3.92 (99.6)	5.48 (139.2)	5.78 (146.8)
L	M	N	P	Q
7.52 (191.0)	8.46 (214.9)	3.56 (90.4)	1.50 (38.1)	3.42 (86.9)
R	S	T	U	
1.21 ± .01 (30.7) ± (.3)	1.79 (45.5)	2.37 (60.2)	Ø .28 (7.1)	

Inches (mm)

B5 Single & Double Operators – 4-way Single Subbase

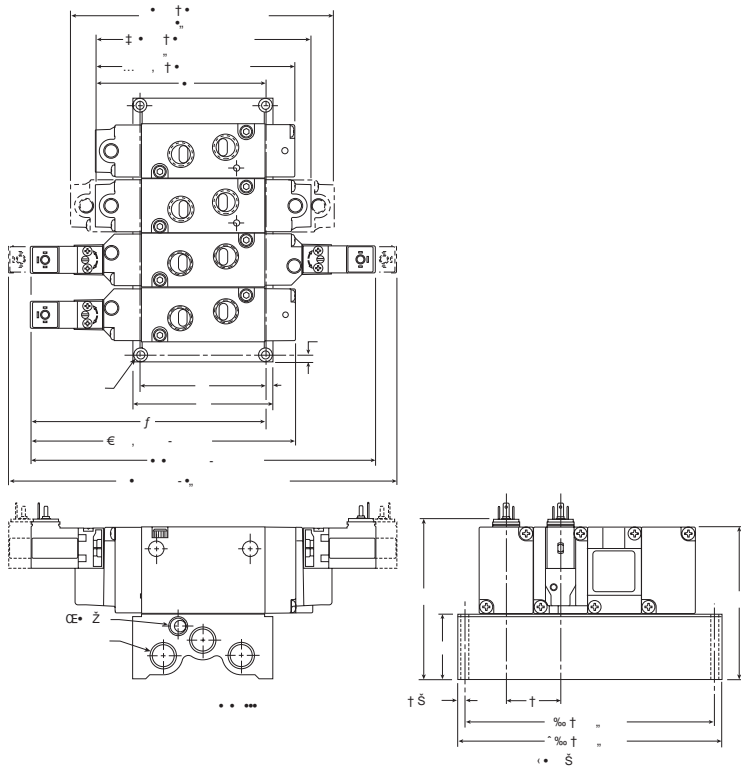


B5 4-way Subbase

A	A ₁	A ₂	A ₃	A ₄
5.78 (147)	7.52 (191)	8.46 (215)	4.37 (110)	4.70 (119)
A ₅	B	B ₁	C	C ₁
5.64 (143)	3.21 (82)	3.03 (77)	2.12 (54)	1.69 (43)
D	D ₁	D ₂	D ₃	E
4.26 (108)	4.73 (120)	2.85 (72)	3.32 (40)	2.51 (65)
E ₁	E ₂	E ₃	F	F ₁
2.98 (76)	2.60 (66)	3.07 (80)	2.90 (74)	1.69 (43)
G	H	J	J ₁	K
.95 (24)	.22 (5)	.84 (21)	.99 (25)	.71 (18)
L	M	N	P	R
1.50 (38)	.50 (13)	.46 (12)	Ø .27 (7)	1.00 (25)

Inches (mm)

B5 Single & Double Operators – 4-way IEM Aluminum Bar

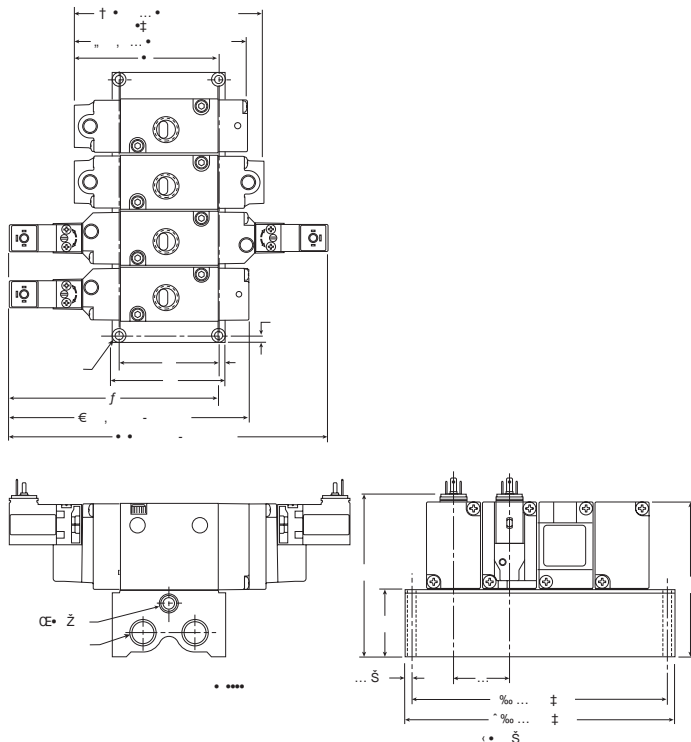


B5 4-way IEM Aluminum Bar Manifold

A	B	C	D	E
5.64 (143.3)	4.70 (119.4)	4.37 (110.0)	3.74 (95.0)	.18 (4.6)
F	G	H	J	K
2.78 (70.6)	.17 (4.3)	3.12 (79.2)	5.15 (130.8)	5.78 (146.8)
L	M	N	P	Q
7.52 (191.0)	8.46 (214.9)	3.50 (89.0)	1.44 (36.6)	3.36 (85.3)
R	S	T	U	
1.26 (32.0)	1.78 (45.2)	2.14 (54.4)	Ø .22 Ø (5.5)	

Inches (mm)

B5 Single & Double Operators – 3-way IEM Aluminum Bar



B5 3-way IEM Aluminum Bar Manifold

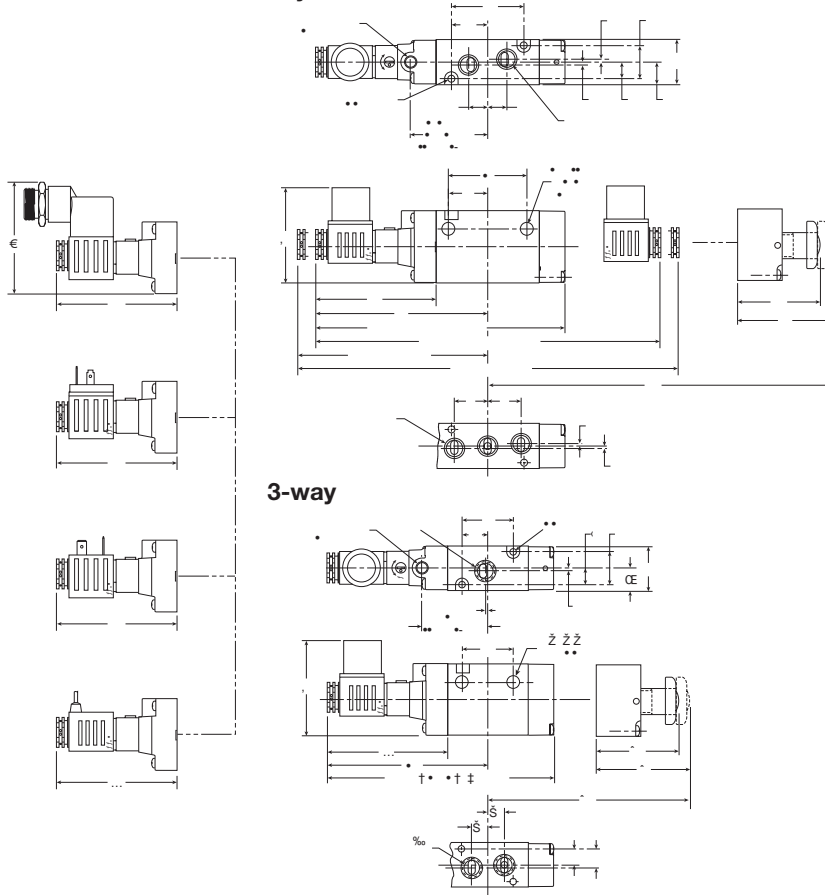
B	C	D	E	F
4.21 (106.9)	3.88 (98.6)	3.41 (86.6)	.18 (4.6)	2.12 (53.8)
G	H	J	K	L
.17 (4.3)	2.46 (62.5)	4.82 (122.4)	5.29 (134.4)	7.03 (178.6)
N	P	Q	R	S
3.50 (89.0)	1.44 (36.6)	3.36 (85.3)	1.26 (32.0)	1.76 (44.7)
T	U			
2.12 (53.8)	Ø .18 Ø (4.6)			

Inches (mm)

Viking Lite Series
Viking Xtreme Series
B Series
ADEX Series
N Series
D Inline Valve Products

B5 3 & 4-way Alternative Electrical Enclosures

4-way



3-way

B5 Alternative – Electrical Enclosures

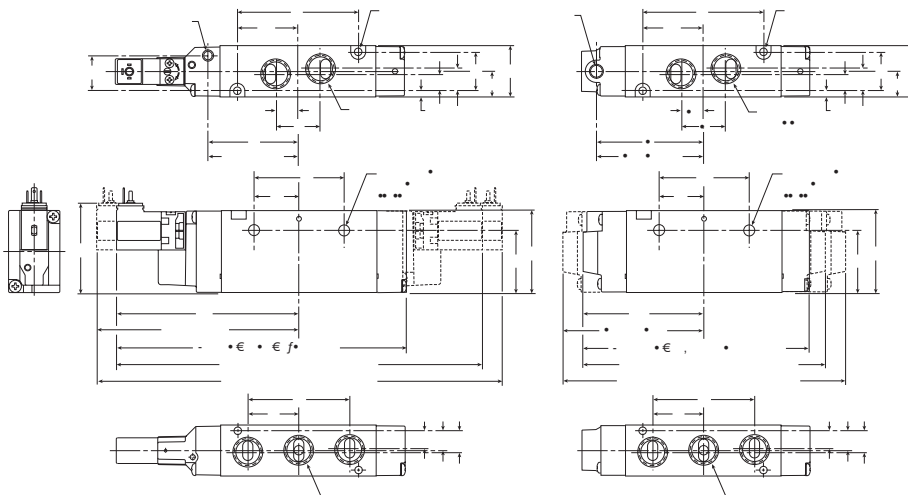
A	A₁	B	C	D
9.94 (252.5)	.872 (221.4)	4.97 (126.2)	9.00 (228.6)	6.52 (165.6)
D₁	E	E₁	F	G
6.02 (152.9)	4.50 (114.3)	4.26 (108.1)	3.15 (80.0)	2.47 (62.8)
H	J	K	K₁	L
2.05 (52.1)	1.03 (26.2)	1.89 (48.0)	1.40 (35.5)	.95 (24.1)
L₁	M	N	P	Q
.70 (17.8)	1.18 (30.0)	.59 (15.0)	.87 (22.1)	.43 (10.9)
R	S	S₁	T	T₁
.08 (2.0)	.50 (12.7)	.06 (1.5)	2.01 (51.1)	2.47 (62.7)
T₂	U	U₁	U₂	V
1.76 (44.8)	.87 (22.1)	.43 (10.9)	.45 (11.3)	.06 (1.5)
V₁	W	W₁	Y	Z
.37 (9.3)	.07 (1.8)	.50 (13)	2.90 (73.6)	2.40 (60.9)
Z₁	Z₂	Z₃		
2.12 (53.8)	3.75 (95.2)	4.17 (105.8)		

Inches (mm)

B6 Single & Double Operators – 4-way Inline

Solenoid

Remote pilot

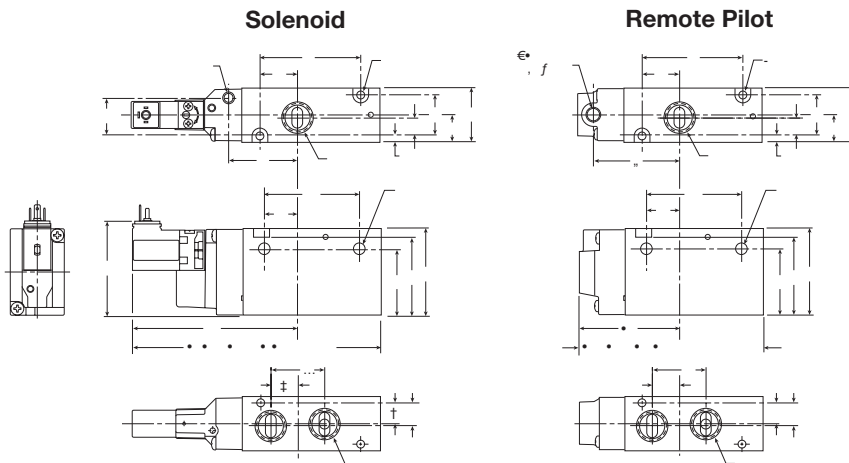


B6 4-way Inline

A	A₁	A₂	A₃	A₄
6.67 (169.5)	8.41 (213.7)	9.35 (237.6)	5.26 (133.7)	5.59 (142.1)
A₅	B	C	C₁	D
6.54 (166)	2.06 (52)	1.18 (30.0)	.59 (15)	4.21 (106.8)
D₁	D₂	D₃	E	E₁
4.68 (118.8)	2.80 (71)	3.27 (83.0)	2.79 (70.8)	1.39 (35.4)
F	F₁	G	G₁	H
2.45 (62.3)	2.92 (74.3)	1.03 (26.1)	.51 (13.1)	.91 (23)
H₁	J	J₁	J₂	K
.14 (3.5)	.51 (13.1)	.39 (10)	.81 (20.6)	2.09 (53)
K₁	L	M	N	P
2.56 (64.9)	2.34 (59.4)	1.17 (29.7)	.45 (11.5)	.49 (12.5)
P₁	Q	R	S	S₁
.41 (10.5)	1.89 (48)	1.45 (36.8)	2.09 (53)	1.04 (26.5)
T	U			
Ø .17 Ø (4.4)	Ø .27 Ø (6.9)			

Inches (mm)

B6 Single Operators – 3-way Inline

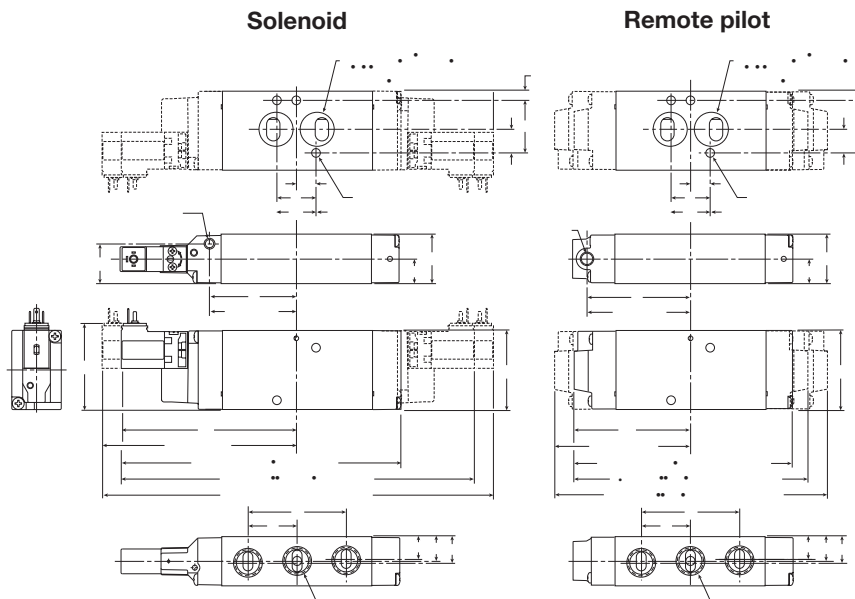


B6 3-way Inline

A	A3	B	C	C1
5.42 (137.7)	4.01 (101.9)	2.06 (52)	1.18 (30.0)	.59 (15.0)
D	D2	E	E1	F
3.63 (92.1)	2.22 (56.3)	2.19 (55.6)	0.82 (20.7)	1.87 (47.6)
H	H1	J1	J2	K
.91 (23.0)	.14 (3.5)	.39 (10.0)	.81 (20.6)	1.51 (38.3)
L	M	N	P	Q
1.17 (29.7)	.59 (15.0)	.45 (11.5)	.49 (12.5)	1.89 (48.0)
R	S	S1	T	U
1.45 (36.8)	2.09 (53.0)	0.76 (19.4)	Ø .17 (4.4)	Ø .27 (6.9)
V				
1.69 (43.0)				

Inches (mm)

B6 Single & Double Operators – 4-way NAMUR Mount

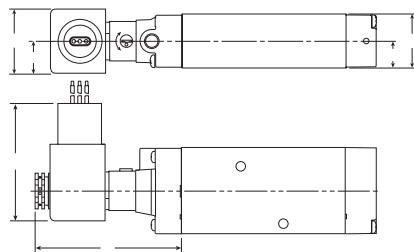


B6 4-way NAMUR Mount

A	A1	A2	A3	A4
6.67 (169.5)	8.41 (213.7)	9.35 (237.6)	5.26 (133.7)	5.59 (142.1)
A5	B	B2	C	C1
6.54 (166.0)	2.06 (52)	.57 (14.4)	1.18 (30.0)	.59 (15)
D	D1	D2	D3	F
4.21 (106.8)	4.68 (118.8)	2.80 (71.0)	3.27 (83.0)	2.45 (62.3)
F1	G	G1	J3	K
2.92 (74.3)	.95 (24.2)	.02 (0.53)	.95 (24.1)	2.09 (53.0)
K1	L	M	N	P
2.56 (64.9)	2.34 (59.4)	1.17 (29.7)	.59 (15)	.63 (16)
P1	Q	R	R1	S
.55 (14)	1.89 (48.0)	1.26 (32)	.22 (5.5)	.94 (24)
S1	T	U		
.47 (12)	Ø .17 (4.4)	Ø .27 (6.9)		

Inches (mm)

B6 Alternative Electrical Enclosure Option F

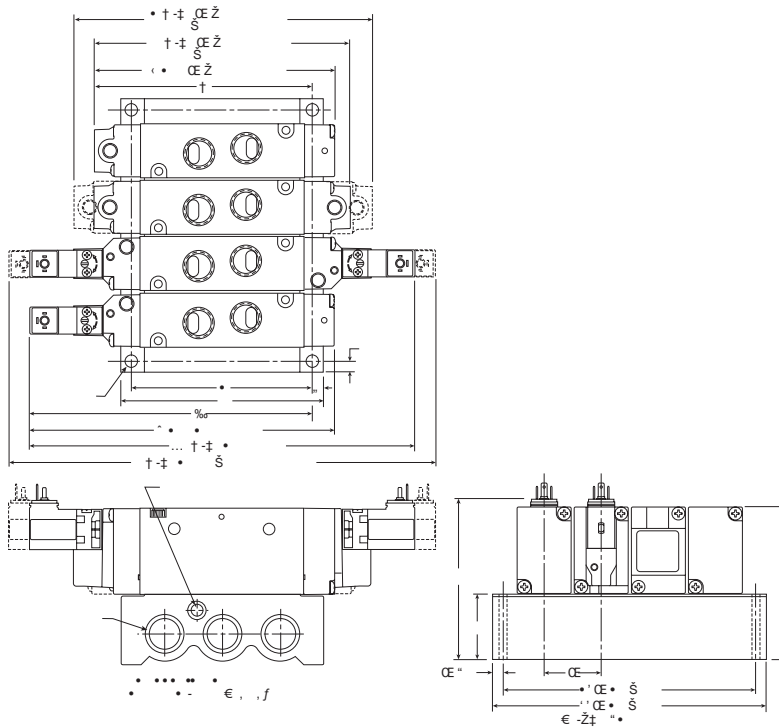


B6 4-way NAMUR Mount with Option F Enclosure

C	C1	C2	C3	F
1.18 (30)	.59 (15)	1.42 (36)	.71 (18)	3.15 (80)
G				
2.60 (66)				

Inches (mm)

B6 Single & Double Operators – 4-way IEM Aluminum Bar



B6 4-way IEM Aluminum Bar Manifold

A	B	C	D	E
6.54 (166.0)	5.59 (142.1)	5.26 (133.7)	4.76 (121.0)	.24 (6.0)
F	G	H	J	K
3.94 (100.0)	.24 (6.0)	4.41 (112.0)	6.17 (156.8)	6.67 (169.5)
L	M	N	P	Q
8.41 (213.7)	9.35 (237.6)	3.60 (91.3)	1.54 (39.0)	3.43 (87.0)
R	S	T	U	
1.24 (31.5)	1.77 (45.0)	2.24 (57.0)	ø .26 ø (6.5)	

Inches (mm)

Viking Lite Series

Viking Xtreme Series

B Series

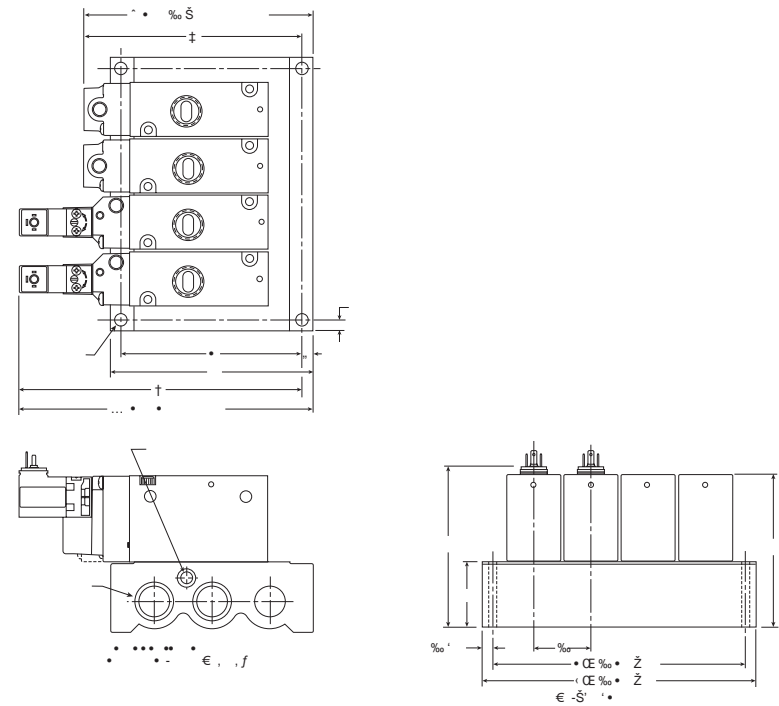
ADEX Series

N Series

D

Inline Valve Products

B6 Single Operators – 3-way IEM Aluminum Bar



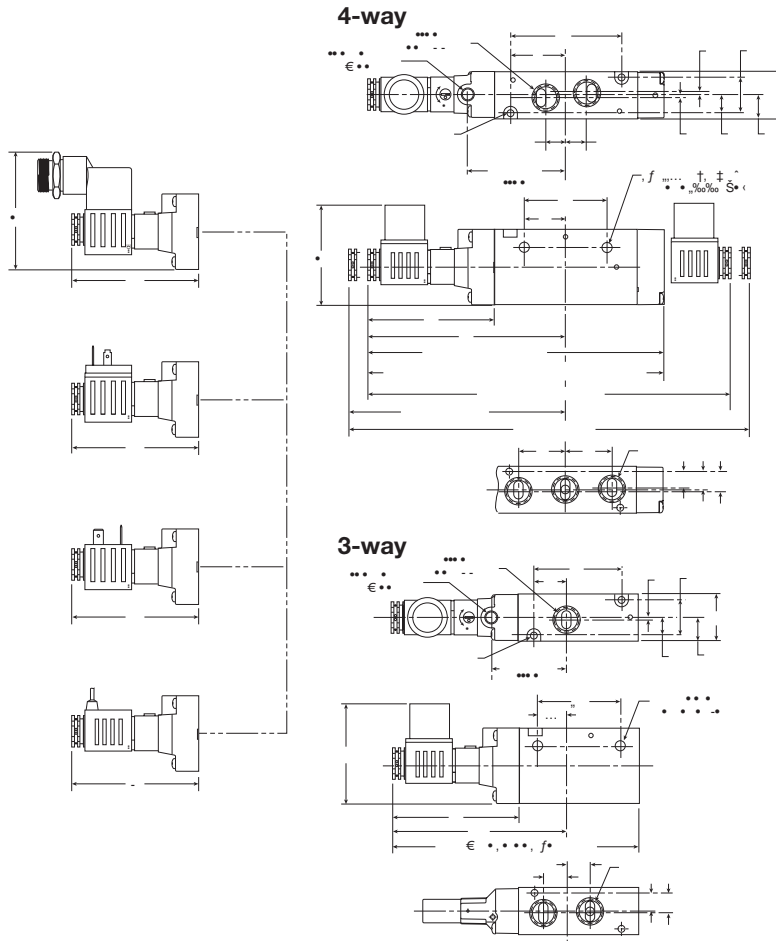
B6 3-way IEM Aluminum Bar Manifold

C	D	E	F	G
5.00 (127.0)	4.76 (121.0)	.24 (6.0)	3.94 (100.0)	.24 (6.0)
H	J	K	N	P
4.41 (112.0)	6.17 (156.8)	6.41 (162.8)	3.60 (91.3)	1.54 (39.0)
Q	R	S	T	U
3.43 (87.0)	1.24 (31.5)	1.77 (45.0)	2.24 (57.0)	ø .26 ø (6.5)

Inches (mm)



B6 3 & 4-way Alternative Electrical Enclosures

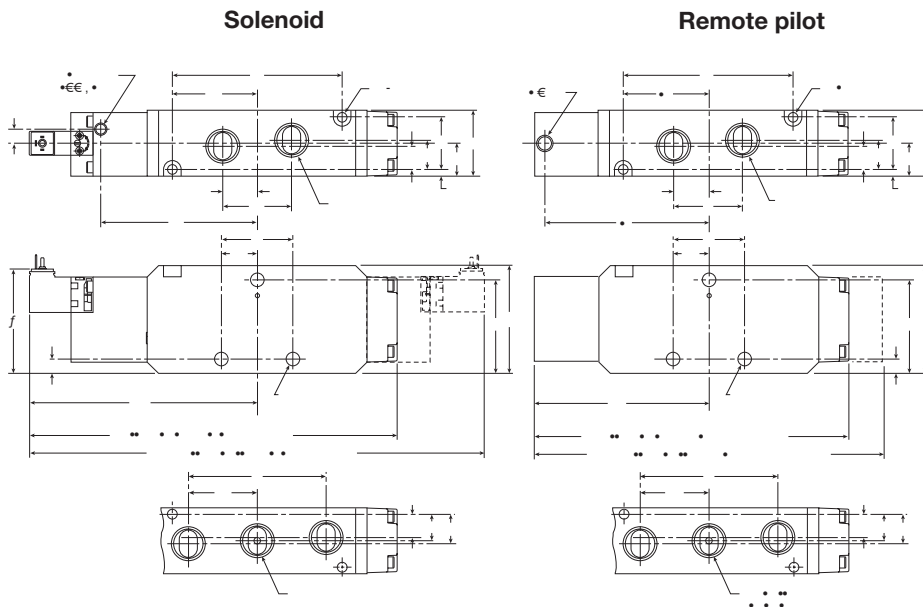


B6 Alternative – Electrical Enclosures

A	B	C	D	D1
10.84 (275.3)	5.41 (137.5)	9.89 (251.3)	7.41 (188.2)	7.74 (196.6)
D2	E	E2	F	G
6.17 (156.6)	4.94 (125.6)	4.37 (111.0)	3.15 (80.0)	2.47 (62.8)
H	H1	J	J1	K
2.09 (53.0)	2.09 (53.0)	1.04 (26.5)	0.76 (19.4)	2.79 (70.8)
K1	L	L1	M	N
2.19 (55.6)	1.39 (35.4)	.82 (20.7)	1.18 (30.0)	.59 (15.0)
P	Q	R	S	T
.91 (23.0)	.45 (11.5)	.06 (1.6)	.51 (13.1)	2.45 (62.3)
T1	T2	U	U1	V
2.93 (29.7)	1.89 (48.0)	.59 (15.0)	.59 (15.0)	.41 (10.5)
W	X	Y		
.45 (11.5)	.49 (12.5)	2.90 (73.6)		

Inches (mm)

B7& B8 Single & Double Operators – 4-way Inline

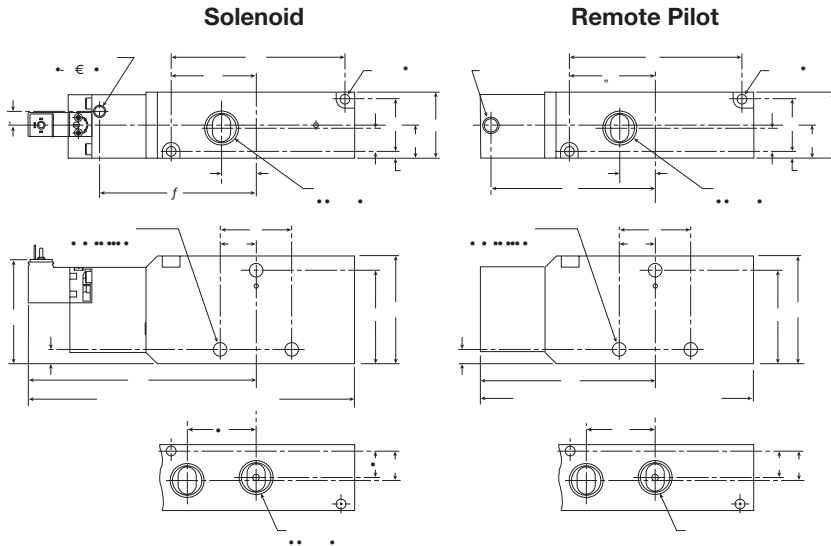


B7 & B8 4-way Inline

A	A1	A2	A3	B
9.13 (232)	11.29 (287)	7.79 (198)	8.62 (219)	2.59 (66)
C	C1	D1	D2	E
1.65 (42)	.83 (21)	4.29 (109)	5.63 (143)	4.21 (107)
E1	F	G	G1	H
2.13 (54)	4.06 (103)	1.73 (44)	.87 (22)	1.29 (33)
H1	J	J1	L	M
.16 (4)	.75 (19)	.59 (15)	3.39 (86)	1.69 (43)
N	P	P1	Q	R
.67 (17)	.75 (19)	.59 (15)	2.68 (68)	2.32 (59)
R1	S	S1	T	U
.35 (9)	1.81 (46)	.90 (23)	3.94 (100)	.35 (9)

Inches (mm)

B7 & B8 Single Operators – 3-way Inline

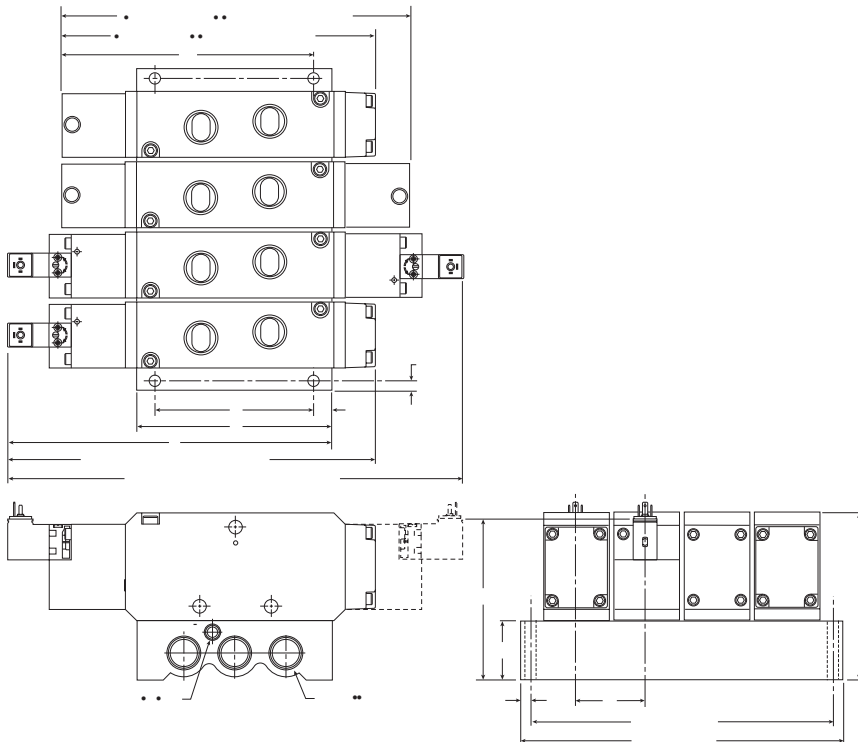


B7 & B8 3-way Inline

A	A₂	B	C	C₁
7.99 (203)	6.65 (169)	2.59 (66)	1.65 (42)	.83 (21)
D₁	D₂	E	E₁	F
4.29 (109)	5.63 (143)	4.21 (107)	2.13 (54)	4.06 (103)
G₁	H	H₁	J₁	M
.86 (22)	1.29 (33)	.16 (4)	.59 (15)	1.69 (43)
N	P	Q	R	R₁
.67 (17)	.75 (19)	2.68 (68)	2.32 (59)	.35 (9)
S	S₁	T	U	
1.81 (46)	.90 (23)	3.94 (100)	.35 (9)	

Inches (mm)

B7 & B8 Single & Double Operators – 4-way IEM Aluminum Bar



**B7 & B8 4-way IEM
 Aluminum Bar Manifold**

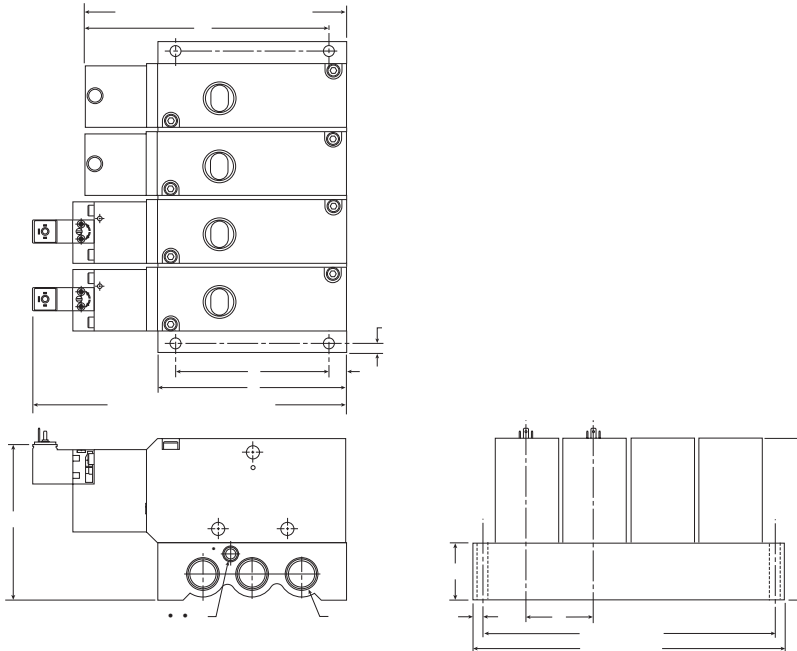
A	C	D	E	F
7.79 (198)	8.62 (219)	6.26 (159)	.24 (6)	3.94 (100)
G	H	J	K	M
.45 (11.5)	4.84 (123)	8.07 (205)	9.13 (232)	11.29 (287)
N	P	Q	R	S
4.00 (101.5)	1.48 (37.5)	4.15 (105.5)	1.77 (45)	2.24 (57)
T				
2.72 (69)				

Inches (mm)

Viking Lite Series
 Viking Xtreme Series
 B Series
 ADEX Series
 N Series
 D Inline Valve Products



B7 & B8 Single Operators – 3-way IEM Aluminum Bar

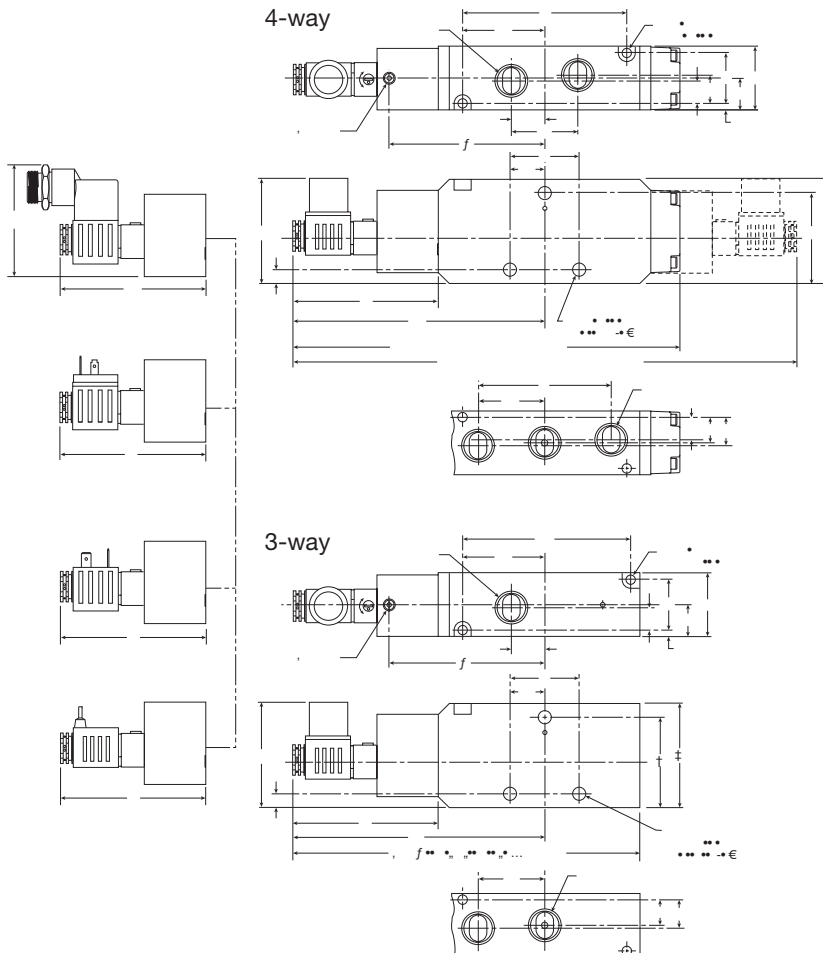


**B7 & B8 3-way IEM
 Aluminum Bar Manifold**

C	D	E	F	G
6.65 (169)	4.92 (124.9)	.24 (6)	3.94 (100)	.45 (11.5)
H	K	N	P	Q
4.84 (123)	7.99 (203)	4.00 (101.5)	1.48 (37.5)	4.15 (105.5)
R	S	T		
1.77 (45)	2.24 (57)	2.72 (69)		

Inches (mm)

B7 & B8 3 & 4-way Alternative Electrical Enclosures



**B7 & B8 3 & 4-way Alternative
 Electrical Enclosures**

A	A1	A2	C	C1
9.92 (252)	12.91 (328)	8.78 (223)	1.65 (42)	.83 (21)
D	E	E1	F	G
6.46 (164)	4.21 (107)	2.13 (54)	3.74 (95)	1.73 (44)
G1	H	H1	J	J1
.86 (22)	1.29 (33)	.16 (4)	.75 (19)	.59 (15)
L	M	N	P	P1
3.39 (86)	1.69 (43)	.67 (17)	.75 (19)	.59 (15)
Q	R	R1	S	S1
2.68 (68)	2.32 (59)	.35 (9)	1.81 (46)	.90 (23)
Y	Y1	Z		
2.87 (73)	2.71 (69)	3.98 (101)		

Inches (mm)

Viking Lite Series
 Viking Xtreme Series
 B Series
 ADEX Series
 N Series
 D
 Inline Valve Products

