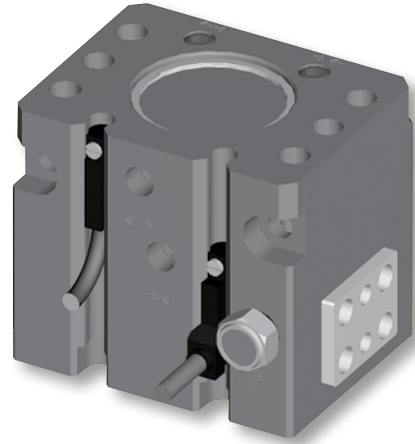


- One piece lightweight aircraft quality aluminum body
- The body and bottom plate have hard-coat anodize 60 RC with PTFE impregnation
- 3 standard air port locations (front, back, and top)
- Back and top air ports can be o-ring manifold sealed to eliminate air lines
- Standard mounting slots for magneto resistive (sensors sold separately)
- Slip fit dowel pin holes in body and jaws
- Jaws are supported throughout the length of the body
- Purge / scavenge port used with vacuum for clean room environments or positive pressure with harsh environments
- Jaw components made from hardened and precision ground steel for minimum jaw play with hard plating for wear resistance and long life
- Front-to-back thru counterbores for socket head cap screw mounting
- Magnetic piston standard



Operating information

Operating pressure:	1.5 to 7 bar (22 to 102 PSIG)
Temperature range:	
Nitrile seals (standard)	-35° to 80° C (-30° to 180° F)
Filtration requirements:	
Air filtration	40 micron or better
Air lubrication	Not necessary*
Air humidity	Low moisture content (dry)

*Addition of lubrication will greatly increase service life

Ordering Information: P5GN Compact Series

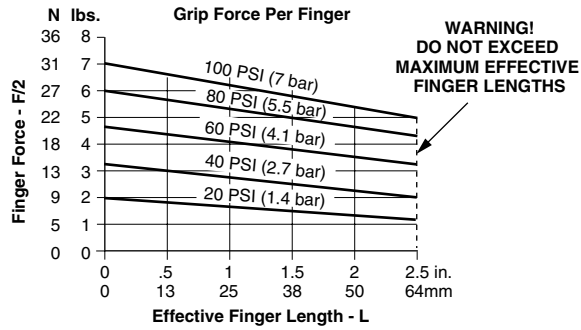
Function	Bore size (mm)	Ports (BSPP)	Stroke (mm)	Grip force @ 7 bar (N)	Accuracy +/- mm	Repeatability +/-mm	Weight (kg)	Part number
Double acting magnetic	12	M3	1.6	62	0.05	0.03	0.04	P5GN-012MSG001B
Double acting magnetic	12	M3	2.4	62	0.05	0.03	0.04	P5GN-012MSG002B
Double acting magnetic	12	M3	3.2	62	0.05	0.03	0.04	P5GN-012MSG003B
Double acting magnetic	14	M3	2.4	98	0.05	0.03	0.07	P5GN-014MSG002B
Double acting magnetic	14	M3	3.2	98	0.05	0.03	0.07	P5GN-014MSG003B
Double acting magnetic	14	M3	4.8	98	0.05	0.03	0.07	P5GN-014MSG005B
Double acting magnetic	22	M5	3.2	222	0.05	0.03	0.23	P5GN-022MSG003B
Double acting magnetic	22	M5	4.8	222	0.05	0.03	0.23	P5GN-022MSG005B
Double acting magnetic	22	M5	6.4	222	0.05	0.03	0.23	P5GN-022MSG006B
Double acting magnetic	32	M5	4.8	445	0.08	0.03	0.46	P5GN-032MSG005B
Double acting magnetic	32	M5	6.4	445	0.08	0.03	0.46	P5GN-032MSG006B
Double acting magnetic	32	M5	9.5	445	0.08	0.03	0.46	P5GN-032MSG010B

Sensor part numbers: Page 53.

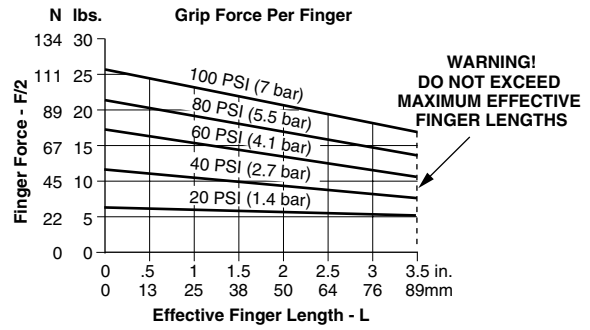
Most popular.



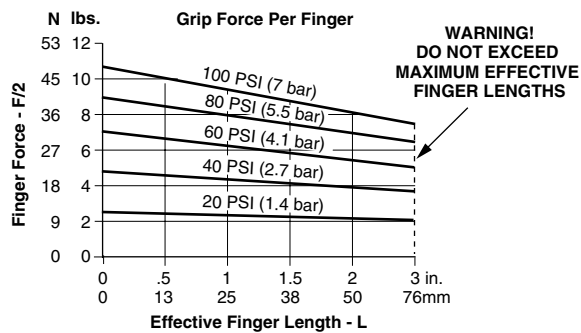
Loading information - P5GN-012



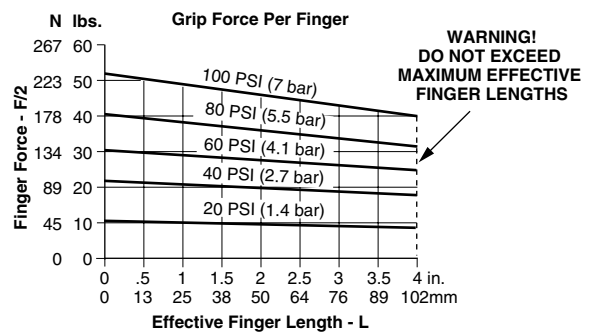
Loading information - P5GN-022



Loading information - P5GN-014



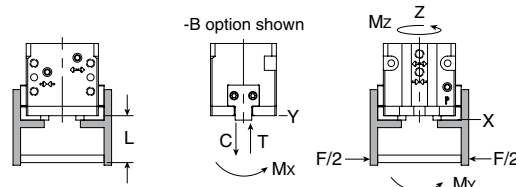
Loading information - P5GN-032



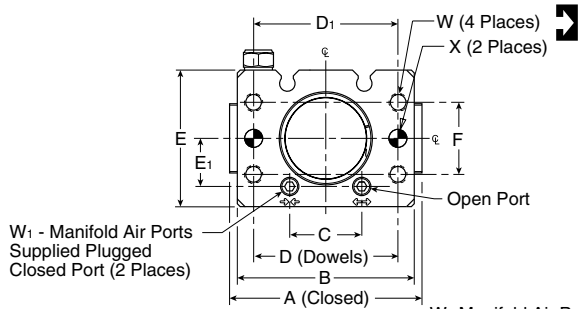
Loading capacity† - P5GN Compact Series

	P5GN-012		P5GN-014		P5GN-022		P5GN-032	
	Static (metric)	Dynamic (metric)	Static (metric)	Dynamic (metric)	Static (metric)	Dynamic (metric)	Static (metric)	Dynamic (metric)
Maximum tensile T	134 N	27 N	267 N	45 N	614 N	111 N	2225 N	289 N
Maximum compressive C	223 N	45 N	401 N	67 N	1224 N	111 N	4228 N	289 N
Maximum moment Mx	2 Nm	0.6 Nm	5 Nm	8 Nm	14 Nm	2 Nm	48 Nm	8 Nm
Maximum moment My	2 Nm	0.6 Nm	5 Nm	8 Nm	14 Nm	2 Nm	48 Nm	8 Nm
Maximum moment Mz	2 Nm	0.6 Nm	5 Nm	8 Nm	14 Nm	2 Nm	48 Nm	8 Nm

† Capacities are per set of jaws and are not simultaneous

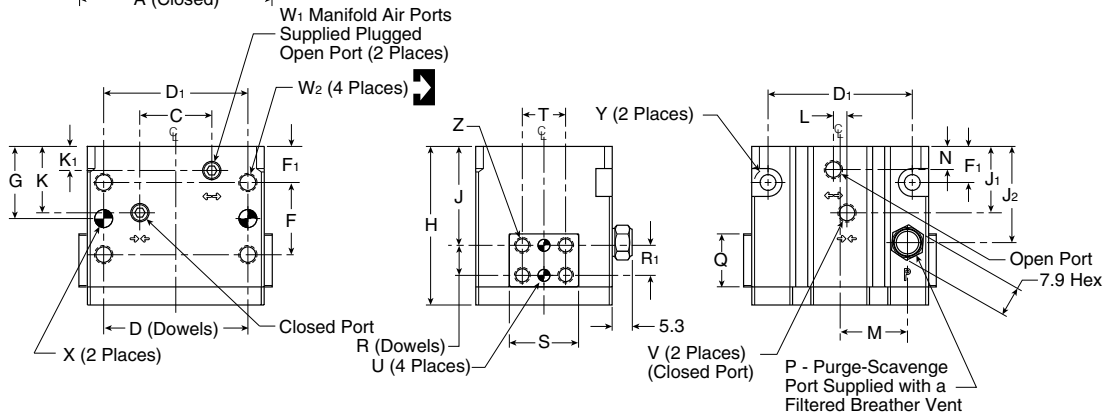


Dimensions: P5GN Compact Series



Unless otherwise noted all tolerances are as shown below

Metric (mm)
 (.) = (± .25)
 (0.0) = (± .13)
 (0.00) = (± .013)



Part number	A	B	C	D	D1	E	E1	F	F1	G	H	J	J1	J2	K	K1	L	M	N	P
P5GN-012	28	24.4	10.2	19.05	19.1	22.2	7.9	9.5	6.7	11.4	24.4	17.6	9.7	14.7	9.7	3.6	-	9.4	3.6	M3 x 3 Dp
P5GN-014	35	31.2	10.2	19.05	19.1	24.1	8.6	9.5	8.0	12.7	27.4	19.9	11.2	17.0	11.2	3.6	-	11.7	3.6	M3 x 3 Dp
P5GN-022	51	46.7	19.1	38.10	38.1	36.1	12.7	19.1	9.5	19.1	41.9	26.1	17.5	25.4	17.5	6.1	3.6	17.8	6.1	M5 x 4 Dp
P5GN-032	64	59.7	22.9	38.10	38.1	43.2	16.5	19.1	12.7	22.2	51.2	31.3	19.8	30.5	19.8	6.4	4.1	22.4	6.4	M5 x 4 Dp

Part number	Q	R	R1	S	T	U	V	W	W1	W2	X	Y	Z
P5GN-012	7.11 ^{+0.00} _{-.003}	3.81	-	10.67 ^{+0.00} _{-.003}	6.4	∅ 2.0 H7 x 3 Dp	M3 x 3 Dp	M3 x 4 Dp	M3 x 3 Dp	M3 x 4 Dp	∅ 3 H7 x 3 Dp	∅ 5 x 4 Dp C'bore (for M2.5 SHCS)	M3 x 4 Dp (4 Places)
P5GN-014	8.64 ^{+0.00} _{-.003}	4.76	-	12.19 ^{+0.00} _{-.003}	7.1	∅ 2.5 H7 x 3 Dp	M3 x 3 Dp	M3 x 4 Dp	M3 x 3 Dp	M3 x 4 Dp	∅ 3 H7 x 3 Dp	∅ 5 x 3 Dp C'bore (for M2.5 SHCS)	M4 x 5 Dp (4 Places)
P5GN-022	13.97 ^{+0.00} _{-.003}	7.94	8.0	18.29 ^{+0.00} _{-.003}	11.4	∅ 3 H7 x 5 Dp	M5 x 4 Dp	M5 x 8 Dp	M5 x 5 Dp	M5 x 6 Dp	∅ 5 H7 x 5 Dp	∅ 7 x 4 Dp C'bore (for M4 SHCS)	M4 x 6 Dp (8 Places)
P5GN-032	19.05 ^{+0.00} _{-.003}	11.11	11.1	25.40 ^{+0.00} _{-.003}	15.9	∅ 4 H7 x 6 Dp	M5 x 4 Dp	M5 x 8 Dp	M5 x 5 Dp	M5 x 6 Dp	∅ 5 H7 x 6 Dp	∅ 7 x 4 Dp C'bore (for M4 SHCS)	M5 x 8 Dp (8 Places)

Dimensions in millimeters