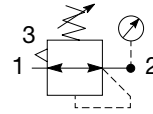
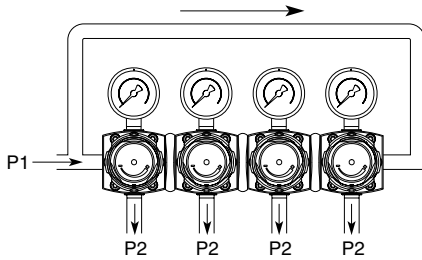


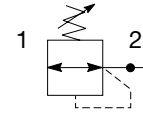
Global Air Preparation System

Compact Common - P1 Regulator - P32

Symbols



Self relieving regulator with gauge



Non relieving regulator

- Manifold style regulator with line pressure on both sides.
- Pressure output is at front or rear.
- Integral 1/4", 3/8" or 1/2" ports (NPT, BSPP & BSPT)
- Robust construction
- Secondary pressure ranges 0-2 bar (0-30 psig), 0-4 bar, (0-60 psig), 0-8 bar (0-125 psig), 0-17 bar (0-250 psig)
- Secondary aspiration plus balanced poppet provides quick response and accurate pressure regulation
- Relieving & Non-relieving types
- Non-rising knob

Options:

P32H	A	9	2	B	N	N	P
Basic series Global modular compact regulator P32H	Engr level Current A	Thread type BSPP 1 BSPT 2 NPT 9	Port size 1/4 2 3/8 3 1/2 4	Relief Relieving B Non-relieving N	Mounting P Plastic panel mount nut		
				Adjustment range			
		With square gauge		With round gauge			
		psig		bar		Z 2 bar; 30 psig; 0.2 MPa	
		1 = 30*		V = 2*		M 4 bar; 60 psig; 0.4 MPa	
		3 = 60		S = 4		G 8 bar; 125 psig; 0.8 MPa	
		5 = 125		T = 8		J [§] 17 bar; 250 psig; 1.7 MPa	
				Without gauge			
				Y 2 bar; 30 psig; 0.2 MPa			
				L 4 bar; 60 psig; 0.4 MPa			
				N 8 bar; 125 psig; 0.8 MPa			
				H [§] 17 bar; 250 psig; 1.7 MPa			

* Unit comes with 0-4 bar or 0-60 psig gauge respectively.
 § Not available with poly bowl with bowl guard.

Bold items are most common.

Port size	Description	Order code†	Flow‡ dm ³ /s (scfm)	Max. bar (psig)	Height mm (inches)	Width mm (inches)	Depth mm (inches)
1/4"	8 bar (125 psig) relieving	P32HA92BNNP	28 (59)	20 (300)	136 (5.4)	60 (2.36)	60 (2.36)
3/8"	8 bar (125 psig) relieving	P32HA93BNNP	28 (59)	20 (300)	136 (5.4)	60 (2.36)	60 (2.36)
1/2"	8 bar (125 psig) relieving	P32HA94BNNP	28 (59)	20 (300)	136 (5.4)	60 (2.36)	60 (2.36)

† Standard part numbers shown in bold. For other models refer to Options chart above.

‡ Flow with 10 bar (145 psig) inlet pressure, 6.3 bar (91.3 psig) set pressure and 1 bar (14.5 psig) pressure drop.



Global Air Preparation System

Specifications

Flow capacity*	1/4	28 dm ³ /s (59 scfm)
	3/8	28 dm ³ /s (59 scfm)
	1/2	28 dm ³ /s (59 scfm)
Operating temperature	-25°C to 65.5°C (-13°F to 150°F)	
Max. supply pressure	20 bar (300 psig)	
Adjusting range pressure	0-2 bar (30 psig) 0-4 bar (60 psig) 0-8 bar (125 psig) 0-17 bar (250 psig)	
Port size	BSPP / BSPT / NPT	1/4, 3/8, 1/2
Gauge port (2 ea.)	BSPP / BSPT / NPT	1/4
Weight	0.50 kg (1.10 lbs)	

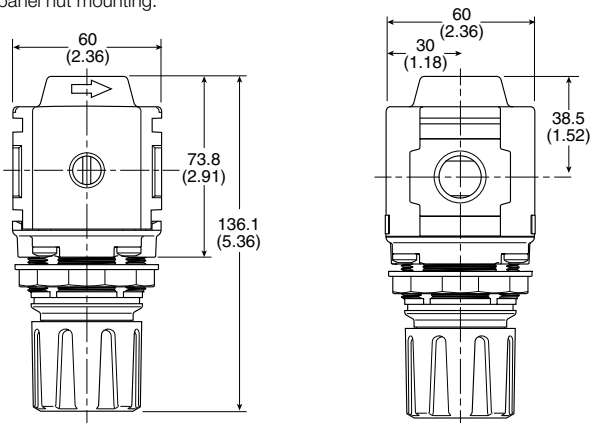
* Inlet pressure 10 bar (145 psig). Secondary pressure 6.3 bar (91.3 psig).

Material Specifications

Body	Zinc	
Adjustment knob	Acetal	
Body cap	ABS	
Bonnet	33% Glass-filled nylon	
Diaphragm assembly	Nitrile / Zinc	
Bottom plug	33% Glass-filled nylon	
Valve assembly	Brass / Nitrile	
Springs	Main regulating valve	Steel S.S.
Seals	Nitrile	
Panel nut	Acetal	

Dimensions mm (inches)

NOTE: 51 mm (2.00 in.) hole required for panel nut mounting.



WARNING

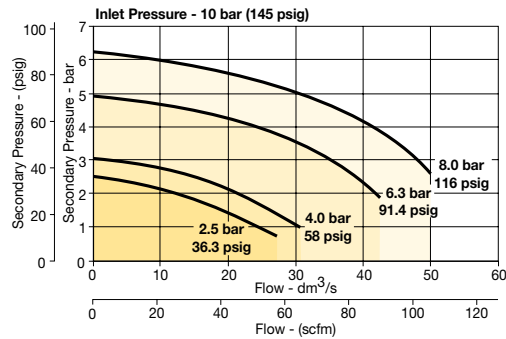
**Product rupture can cause serious injury.
Do not connect regulator to bottled gas.
Do not exceed Maximum primary pressure rating.**

CAUTION:

REGULATOR PRESSURE ADJUSTMENT – The working range of knob adjustment is designed to permit outlet pressures within their full range. Pressure adjustment beyond this range is also possible because the knob is not a limiting device. This is a common characteristic of most industrial regulators, and limiting devices may be obtained only by special design. For best performance, regulated pressure should always be set by increasing the pressure up to the desired setting.

Flow Charts

P32 Common Port Regulator



Repair and Service Kits

Regulator repair kit - relieving	P32KA00RB
Regulator repair kit - non-relieving	P32KA00RC
Panel mount nut - aluminum	P32KA00MM
Panel mount nut - plastic	P32KA00MP
Angle bracket (uses panel mount threads)	P32KA00MR
T-bracket with body connector	P32KA00MT
T-bracket	P32KA00MB
Body connector	P32KA00CB

Gauges

Square flush mount gauge

0-4 bar	K4511SCR04B
0-10 bar	K4511SCR11B
0-60 psig	K4511SCR060
0-150 psig	K4511SCR150

Square with adapter kit

0-4 bar	P6G-PR11040
0-10 bar	P6G-PR11100
0-60 psig	P6G-PR11P06
0-150 psig	P6G-PR11P15

50mm (2") Round 1/4" center back mount

0-30 psig / 0-2 bar	K4520N14030
0-60 psig / 0-4 bar	K4520N14060
0-160 psig / 0-11 bar	K4520N14160
0-300 psig / 0-20 bar	K4520N14300

For best performance, regulated pressure should always be set by increasing the pressure up to the desired setting.

