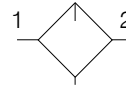


Mini Lubricator - P31

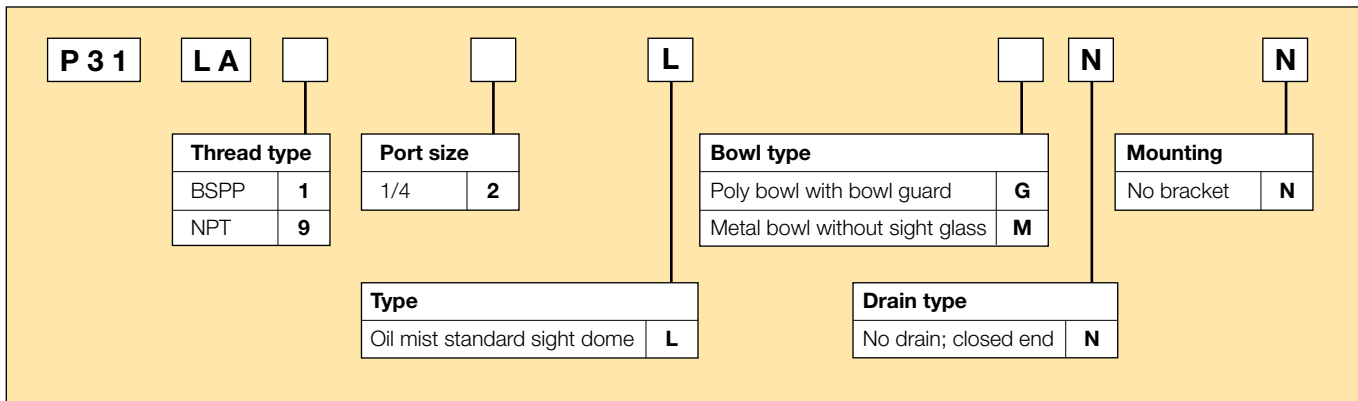


Symbols



- Integral 1/4 ports (BSPP & NPT)
- Robust but lightweight aluminium construction
- Proportional oil delivery over a wide range of air flows.
- Finger tip ratchet control for precise oil drip rate adjustment

Options:



| Port size | Description | Order Code | Flow dm ³ /s (scfm) * * | Max bar (psi) | Height mm (Inches) | Width mm (Inches) | Depth mm (Inches) |
|-----------|-----------------------|--------------------|--|------------------|-----------------------|----------------------|----------------------|
| 1/4" | Poly bowl - No drain | P31LA12LGNN | 13 (28) | 10 (150) | 147.5 (5.8) | 40 (1.58) | 42.7 (1.68) |
| 1/4" | Metal bowl - No drain | P31LA12LMNN | 13 (28) | 17 (250) | 147.5 (5.8) | 40 (1.58) | 42.7 (1.68) |

* flow with 6.3 bar (91.3 psig) inlet pressure and 0.5 (7.2 psig) pressure drop.

Specifications

| | | |
|-----------------------|--------------|---------------------------------|
| Flow Capacity* | 1/4 | 13 dm ³ /s (28 scfm) |
| Operating Temperature | Plastic Bowl | -10°C (14°F) to 52°C (125°F) |
| | Metal Bowl | -10°C (14°F) to 65.5°C (150°F) |
| Max Supply Pressure | Plastic Bowl | 10 bar (150 psi) |
| | Metal Bowl | 17 bar (250 psi) |
| Useful Retention | | 18 cm ³ (0.6 US oz.) |
| Port Size | BSP / NPT | 1/4 |
| Weight | | 0.13 kg (0.29 lbs) |

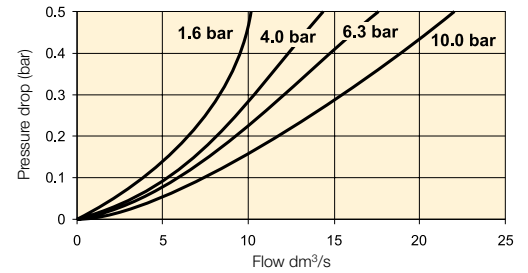
* Inlet pressure 6.3 bar. Pressure drop 0.5 bar.

Materials of Construction

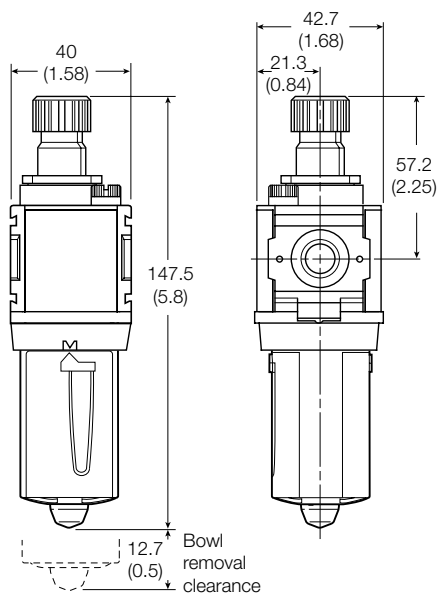
| | | |
|---------------------|-----------------|---------------|
| Body | Aluminium | |
| Body Cap | ABS | |
| Bowl | Plastic Bowl | Polycarbonate |
| | Metal Bowl | Aluminium |
| Seals | Plastic Bowl | Nitrile |
| | Metal Bowl | Nitrile |
| Sight Dome | Polycarbonate | |
| Suggested Lubricant | ISO / ASTM VG32 | |
| Pick-up Filter | Sintered Bronze | |

Flow Charts

1/4 Lubricator



Dimensions



Repair and Service Kits

| | |
|--|--------------------|
| Plastic bowl / Bowl guard no drain | P31KA00BGN |
| Metal bowl / w/o sight gauge no drain | P31KA00BMN |
| Drip control assembly | P32KA00PG |
| C-Bracket (fits to body) | P31KA00MW |
| T-Bracket with body connector | P31KA00MT |
| Body connector | P31KA00CB |
| Lubricator Oil - VG15:ISO 3448 - 100ml | P3XKA00PPA |
| Lubricator Oil - VG32 - 1 litre | P3YKA00PPBB |