

Standard Duty 1/6" I.D. Valves with 5/32" Instant Connections

Protective Guard



PXPEM510

Foot Switches Without Protective Guard



PXPEA110

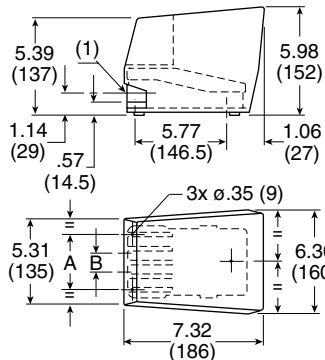
Part Number	Function	Material	Type of Switching*
PXPEM510	High resistance protective guard, with interlock mechanism to prevent accidental operation by a falling object.	Metal	NNP

Part Number	Function	Material	Type of Switching*
PXPEA110	Spring Return	Plastic	NNP
PXPEM110	Spring Return	Metal	NNP

CAUTION:
 This valve shall not be used to actuate a punch press. Do not use this valve on punch presses or press brakes. See OSHA 1910.217.

Dimensions

PXPEM510



- (1) 2 mounting ports for adaptors for conduit fittings
- (2) 7° operating angle

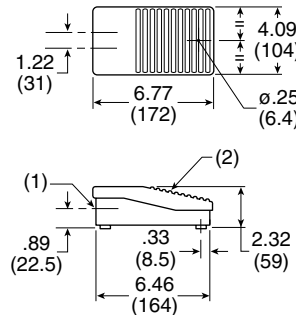
	inch	mm
a	3.53	940
b	1.22	31

Notes: These Foot Pedal Operators come assembled with switch PXBB1921 (Normally Passing). With the pedal in the unoperated position, the switch is in the actuated non-passing position. With the pedal actuated, the switch is in the unactuated Normally Passing position.

Units will accept all switch bodies shown earlier in this Section, but care must be taken in selecting switch type.

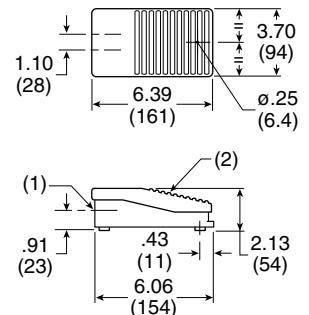
Dimensions

PXPEM110



- (1) .825" diameter thru hole
- (2) 6° operating angle

PXPEA110



Specifications

Air Quality – Standard Shop Air, Lubricated or Dry, 40µm Filtration	
Flow at 90 PSI (6 bar) in SCFM (l/mn ANR)	1.8 (50)
Materials – Body	Polyamide
Operating Head	Zinc Alloy & Plastic
Nominal Bore Ø in Inches (mm)	1/16" (1.5)
Number of Operations with Dry Air at 90 PSI (6 bar) and 68°F (20°C) - Frequency 1 Hz.....	1 million Operations

Operating Positions	All Positions
Operating Pressure	15 to 115 PSIG (1 to 8 bar)
Ports –	5/32" Instant for Semi-Rigid Nylon or Polyurethane Tube
Temperature – Operating	32°F to 122°F (0°C to + 50°C)
Storage	-22°F to 140°F (-30°C to + 60°C)

* NNP: Normally Non-Passing.

G

Airline Accessories