

**Filter / Regulator**



**Symbols**



- Integral 3/4" or 1" ports (BSPP or NPT)
- High efficiency element as standard
- Excellent water removal efficiency
- Robust but lightweight aluminium construction
- Secondary pressure ranges 12 and 16 bar
- Rolling diaphragm for extended life
- Secondary aspiration plus balanced poppet provides quick response and accurate pressure regulation.
- Reverse flow / relieving option
- Low temperature -40°C (-40°F) with combined manual / semi-auto drain as standard

**Options**

<b>P3YEA</b>	<b>9</b>	<b>6</b>	<b>E</b>	<b>SA</b>	<b>B</b>	<b>N</b>	<b>E</b>	<b>N</b>
<b>Basic series</b> Filter / Regulator P3YEA	<b>Thread type*</b> BSPP 1 NPT 9	<b>Port size</b> 3/4 6 1 8	<b>Drain type</b> SC Combined manual / semi-auto drain SA Auto drain	<b>Element</b> E 5 micron	<b>Relief</b> B Relieving R Reverse flow / relieving	<b>Lockable</b> N Standard A† Lockable	<b>Adjustment range</b> E 0 - 12 bar, no gauge H 0 - 16 bar, no gauge F 0 - 12 bar, gauge J 0 - 16 bar, gauge	

**Notes:**  
 \* For 1-1/2" ported unit, please order P3YKA\*BCP port block kit separately.  
 † Not field convertible.  
**Bold items are most common.**

**Ordering information**

Port size	Description	Flow‡ dm³/s (scfm)	Max. bar (psig)	Min temp °C (°F)	Max temp °C (°F)	Bowl capacity cm³ (oz)	Height mm (inches)	Width mm (inches)	Depth mm (inches)	Weight kg (lb)	Part number†
3/4"	12 bar, relieving, combined manual / semi-auto drain	190 (403)	17.5 (254)	-40 (-40)	60 (140)	130 (4.4)	345 (13.5)	90 (3.5)	94 (3.7)	1.5 (3.3)	<b>P3YEA96ESCBNEN</b>
3/4"	12 bar, relieving, auto drain	190 (403)	17.5 (254)	-10 (14)	60 (140)	130 (4.4)	345 (13.5)	90 (3.5)	94 (3.7)	1.5 (3.3)	<b>P3YEA96ESABNEN</b>
3/4"	12 bar, relieving, gauge, combined manual / semi-auto drain	190 (403)	17.5 (254)	-10 (14)	60 (140)	130 (4.4)	345 (13.5)	90 (3.5)	94 (3.7)	1.5 (3.3)	<b>P3YEA96ESCBNFN</b>
3/4"	12 bar, relieving, gauge, auto drain	190 (403)	17.5 (254)	-10 (14)	60 (140)	130 (4.4)	345 (13.5)	90 (3.5)	94 (3.7)	1.5 (3.3)	<b>P3YEA96ESABNFN</b>
1"	12 bar, relieving, combined manual / semi-auto drain	190 (403)	17.5 (254)	-40 (-40)	60 (140)	130 (4.4)	345 (13.5)	90 (3.5)	94 (3.7)	1.5 (3.3)	<b>P3YEA98ESCBNEN</b>
1"	12 bar, relieving, auto drain	190 (403)	17.5 (254)	-10 (14)	60 (140)	130 (4.4)	345 (13.5)	90 (3.5)	94 (3.7)	1.5 (3.3)	<b>P3YEA98ESABNEN</b>
1"	12 bar, relieving, gauge, combined manual / semi-auto drain	190 (403)	17.5 (254)	-10 (14)	60 (140)	130 (4.4)	345 (13.5)	90 (3.5)	94 (3.7)	1.5 (3.3)	<b>P3YEA98ESCBNFN</b>
1"	12 bar, relieving, gauge, auto drain	190 (403)	17.5 (254)	-10 (14)	60 (140)	130 (4.4)	345 (13.5)	90 (3.5)	94 (3.7)	1.5 (3.3)	<b>P3YEA98ESABNFN</b>

†Standard part numbers shown in bold. For other models refer to Options chart above.  
 ‡Flow with 10 bar (145 psig) inlet pressure, 6.3 bar (91.4 psig) set pressure and 1 bar (14.5 psig) pressure drop.  
 Lockable regulators will require key lock kit (opposite page).

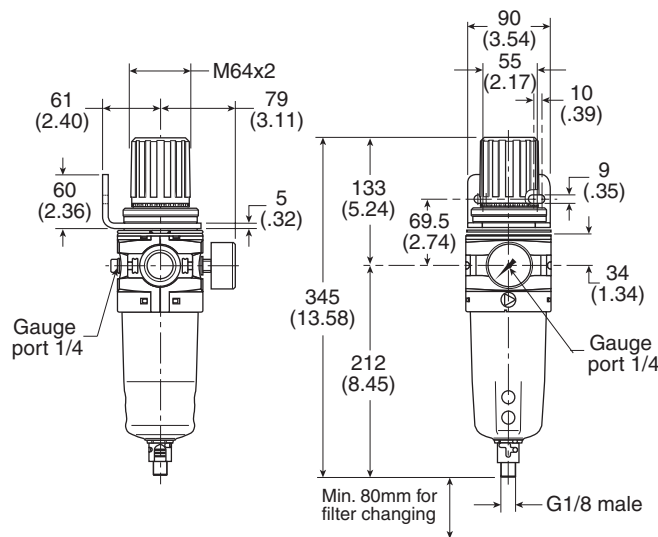


**Specifications**

Fluid	Compressed air	
Maximum inlet pressure*	17.5 bar (254 psig)	
Temperature range*:		
Auto drain	-10°C to 60°C (14°F to 140°F)	
Combined drain	-40°C to 60°C (-40°F to 140°F)	
Particle removal	5 micron	
Air quality	Within ISO 8573-1: 1991 Class 3 and 5 (particulates) Within ISO 8573-1: 2001 Class 6 and 7 (particulates)	
Typical flow with 10 bar (145 psig) inlet pressure and 6.3 bar (91 psig) set pressure and 1 bar (14.5 psig) pressure drop	1" size 237 dm <sup>3</sup> /s (502 scfm)	
Manual / semi-auto drain	Closed at 0.8 bar (11.6 psig) 1/8 thread	
Auto drain bowl pressure to close drain	0.8 bar (11.6 psig)	
Operating range manual override facility	0.8 bar (11.6 psig) to 17.5 bar (254 psig)	
Bowl capacity	130 cm <sup>3</sup> (4.4 US oz)	
Gauge ports (x2)	1/4"	

\* Air supply must be dry enough to avoid ice formation at temperatures below 2°C (35.6°F).

**Dimensions mm (inches)**



**Service kits**

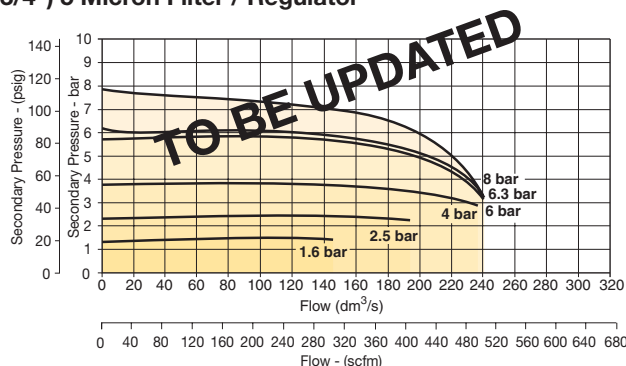
Description	Part number
5 micron element kit	<b>P3YKA00ESE</b>
Bowl kit with combined manual/semi auto drain	<b>P3YKA00BSC</b>
Bowl kit with auto drain	<b>P3YKA00BSA</b>
Key lock kit	<b>P3XKA00AS</b>
Diaphragm kit (relieving type)	<b>P3YKA00RR</b>
Diaphragm kit (non-relieving type)	<b>P3YKA00RN</b>
Angle bracket + metal lock ring	<b>P3YKA00MS</b>
Panel mount nut	<b>P3YKA00MM</b>

**Material specifications**

Body	Aluminium	
Sight glass	Polypropylene	
Body cover	ABS	
Element	Sintered polypropylene	
Seals	Nitrile NBR	
Drains	Manual / semi-auto:	Acetal
	Automatic:	PA / Ø 10mm brass connection
Bonnet	Glass filled polyamide	
Control Knob	Glass filled polyamide	
Valve	Brass / NBR	
Screws	Steel / zinc plated	

**Flow characteristics**

**(3/4") 5 Micron Filter / Regulator**



**(1") 5 Micron Filter / Regulator**

