

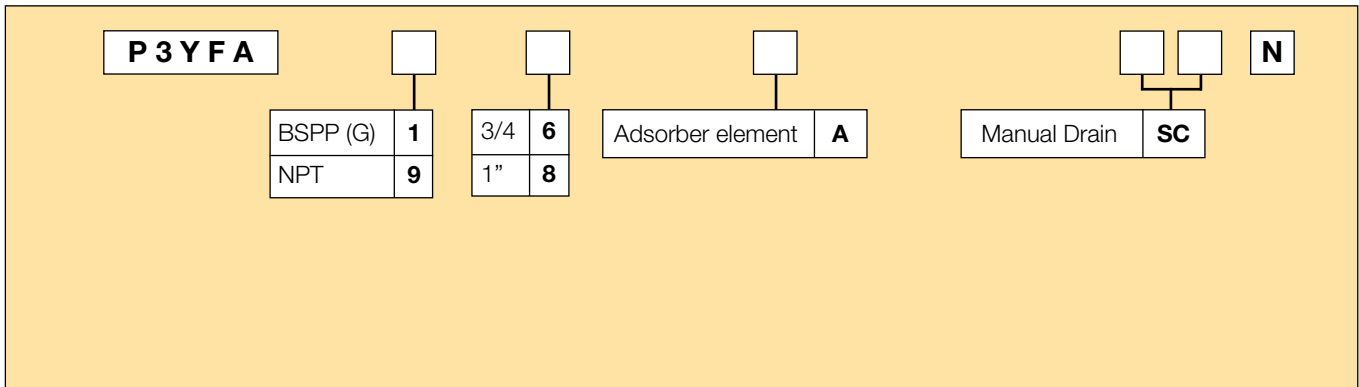
**Adsorber Filter**



- Integral 3/4 or 1" ports (BSPP & NPT)
- Adsorber activated carbon element removes oil vapours and most hydrocarbons

**Note:** To optimise the life of the adsorber element, it is advisable to install a P3Y coalescing 0.01 µm filter upstream of the adsorber filter.

**Options:**



Port size	Description	Order Code	Flow dm <sup>3</sup> /s *	Max bar	Min temp °C	Max temp °C	Bowl capacity cm <sup>3</sup>	Height mm	Width mm	Depth mm	Weight kg
3/4	Adsorber Filter, Manual drain	<b>P3YFA16ASCN</b>	47	17.5	-10	60	130	340	90	94	1.5
1"	Adsorber Filter, Manual drain	<b>P3YFA18ASCN</b>	50	17.5	-10	60	130	340	90	94	1.5

\* flow with 6,3 bar inlet pressure and 0,2 pressure drop

**Technical Information**

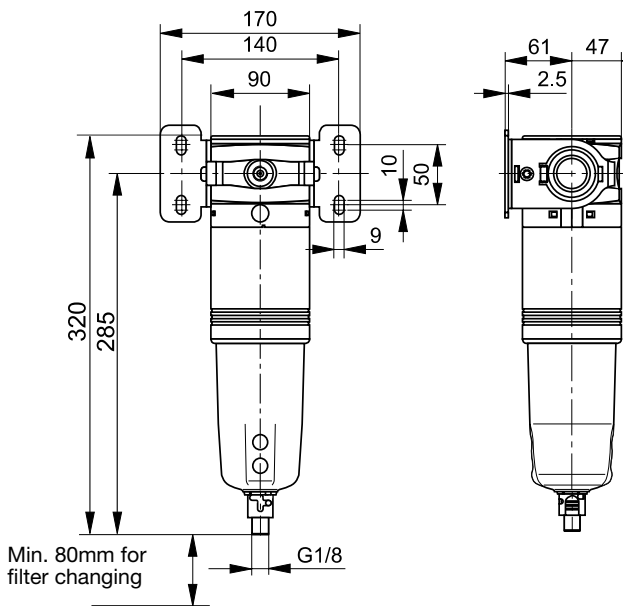
Fluid:	Compressed air	
Maximum inlet pressure*:	17.5 bar	
Temperature range*:	-10°C to +60°C	
Media specifications:		
Max. oil carryover (PPM w/w):	0.008 mg/m <sup>3</sup>	
Typical flow at 6,3 bar inlet pressure and 0.2 bar pressure drop:	1" Adsorber	50 dm <sup>3</sup> /s
Manual drain / Semi-auto drain:	G1/8" thread	
Bowl sump capacity:	130 cm <sup>3</sup>	

\* Air supply must be dry enough to avoid ice formation at temperatures below +2°C

**Material Specification**

Body:	Aluminium
Sight glass:	Polypropylene
Filter cover:	ABS
Adsorber element:	Activated carbon
Top & bottom endcap:	Glass filled nylon
Seals:	Nitrile NBR
Bayonet support:	Nylon
Drain: Manual / Semi-auto:	Acetal

**Dimensions (mm)**

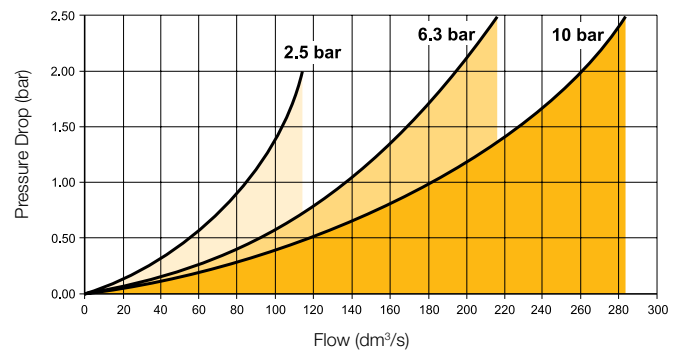


**Service kits**

Description	Order code
Adsorber element kit	<b>P3YKA00ESA</b>
Bowl kit with manual / semi-auto drain	<b>P3YKA00BSC</b>

**Flow characteristics**

**(3/4) Adsorber Filter**



**(1") Adsorber Filter**

