

Aries Series



High-Power, Compact Digital Servo Drives

With its “plug in and spin” design, the Aries family of compact digital servo drives requires no setup. Users simply attach any Parker “smart encoder” motor and the drive automatically configures. Available in seven versions (100, 200, 400, 750, 1300, 2000 and 3000 Watts), the Aries family gives users a robust and cost-effective digital servo product – users only pay for the level of performance they need. Unlike the competition, the Aries family is designed with open architecture in mind, so it can also be configured for use with any manufacturer’s motion controller and servo motor.

The Aries comes standard as a torque-only amplifier but is software selectable to run in velocity mode. An optional step-and-direction version is also available for users replacing stepper systems or not wanting to change their current step-and-direction command interface.

Additional benefits can be gained when the Aries servo drive is used with Parker’s ACR9000 multi-axis controller. The Drive Talk feature allows access to the Aries drive parameters from the ACR9000 controller for advanced control, display and diagnostics. Using the high-speed SSI interface, the ACR9000 can take advantage of the absolute positioning capabilities and extremely high resolution (131,072 counts/rev) of a motor equipped with a Heidenhain EnDat absolute encoder.

Aries Features

- Plug in and spin – no set up required; drive auto-configures when used with Parker’s “smart encoder” motor
- Drive Talk – ACR9000 controller can access all drive parameters
- Auto-tuning available
- Optimized for Parker’s brushless rotary and linear servo motors
- Supported feedback devices include Smart encoder, quadrature encoder, Heidenhain EnDat absolute encoder and resolver
- 7 versions available: 100, 200, 400, 750, 1300, 2000 and 3000 Watts
- Standard high-density D-sub connectors for easy connectivity to any system
- 120/240 VAC input with required 120/240 VAC keep alive circuitry
- CE (EMC & LVD), UL compliant
- Compact design
- Brake relay
- Optional velocity and step-and-direction signal inputs



Aries Specifications

Specifications

Motor Output Power

Shaft Power @ Continuous Current

Shaft Power @ Peak Current

Drive Output Power

Continuous Current (RMS)

Peak Current (RMS)

Bus Voltage

PWM

Drive Input Voltage

Specifications

Motor Output Power

Shaft Power @ Continuous Current

Shaft Power @ Peak Current

Drive Output Power

Continuous Current (RMS)

Peak Current (RMS)

Bus Voltage

PWM

Drive Input Voltage

Performance

Servo Update

Accuracy

Commutation

Inputs

Command

Enable/Reset

Encoder

Resolver

Outputs

Fault

Brake

Encoder Out

Communications

Type

Baud Rate

Multi-drop

Drive talk

Standards

Environmental

Temperature

Humidity

Shock/Vibration

Weight - lbs (kg)

AR-01_E

AR-02_E

AR-04_E

AR-08_E

AR-13_E

AR-20_E

AR-30_E

AR-01

100 Watts*
300 Watts*

1 Amp
3 Amps

AR-02

200 Watts*
600 Watts*

1.75 Amps
5.25 Amps

AR-04

400 Watts*
1200 Watts*

3 Amps
9 Amps

AR-08

750 Watts*
2250 Watts*

4.5 Amps
13.5 Amps

170/340 VDC
16 or 32 kHz, motor dependent
120/240 VAC, 1Ø, 50/60 Hz

AR-13

1300 Watts*
3900 Watts*

6.3 Amp
14.2 Amps
170/340 VDC
16 or 32 kHz, motor dep.
120/240 VAC, 1 or 3 ph, 50/60 Hz

AR-20

2000 Watts*
6000 Watts*

10 Amps
30 Amps
340 VDC
16 kHz
240 VAC, 1 or 3 ph, 50/60 Hz

AR-30

3000 Watts*
9000 Watts*

16 Amps
48 Amps
340 VDC
16 kHz
240 VAC, 3 phase, 50/60 Hz

62.5 µ seconds
± 1 encoder count; encoder dependent
Sinusoidal

14-bit resolution ADC, ± 10 V (torque/velocity control)
Step and direction, 2 MHz max (position control)
5-24 VDC
5 MHz (pre-quadrature); RS-422 compatible differential input
12-bit A to D input (gives 4096 counts/rev), absolute accuracy 11 arc-min

5-24 VDC
Solid state, normally open; 1 Amp @ 24 VDC max
RS-422 compatible differential driver; 5 MHz max. output frequency (pre-quadrature)

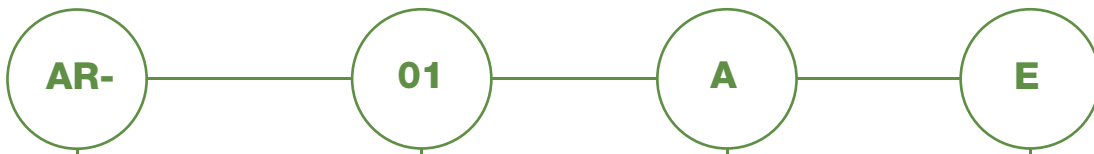
RS-232 (3-wire)/RS-485 (2-wire) ASCII
Fixed at 9600
Up to 99 units (RS485 only)
RS-485 (2 wire)

UL, cUL, CE(LVD), CE(EMC)

0-45° C (32-113° F) except AR-13_E 0-40° C (32-104° F)
0-95% non-condensing
15g, 11 msec half sine / 10-2000 Hz @ 2g

1.68 (0.76)
1.90 (0.86)
2.54 (1.15)
2.82 (1.28)
3.60 (1.63)
7.35 (3.33)
7.40 (3.36)

* @ 240 VAC



Aries Digital Drive Series

Example AR-01AE

Maximum Shaft Power

01 - 100 Watts 13 - 1300 Watts
02 - 200 Watts 20 - 2000 Watts
04 - 400 Watts 30 - 3000 Watts
08 - 750 Watts

Command Interface

A - Analog ± 10 V
S - Step and direction

Motor Feedback

E - Encoder, smart encoder,
Heidenhain EnDat
R - Resolver

Motor Speed-Torque Performance Curves

Please refer to www.parkermotion.com for motor/drive performance curves. The Aries drive is compatible with the following Parker motor series:

Rotary Motors
Linear Motors

MPP Series, BE Series, SM Series
Trilogy linear motors and actuators, LXR linear stages

Cables & Accessories

Aries Drive to Controller
Drive

Controller

Cable

AR-_-A_ AR-_-A_	ACR Controller (RBC Breakout on ACR9000) 6K Controller	71-021599-04 71-021600-04
--------------------	---	------------------------------

Aries Drive to Motor
Drive

Motor

Power Cable

Feedback Cable

AR-01 – AR-08 AR-13 – AR-30	PS or Option 5 connection motors PS or Option 5 connection motors	P-1A1-xx P-3B1-xx	F-1A1-xx F-1A1-xx
--------------------------------	--	----------------------	----------------------

Aries Accessories
Part Number

Description

71-021609-01 VM26-PM VM15-PM	Aries RS-232/485 serial communication dongle 26-pin screw terminal breakout for drive I/O connector 15-pin screw terminal breakout for feedback connector
------------------------------------	---

AR-01 – AR-13

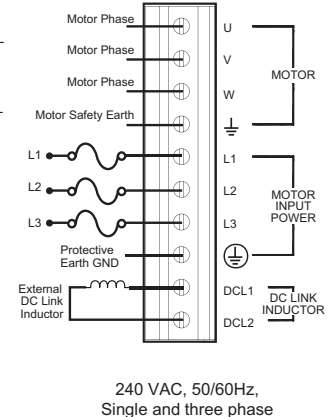
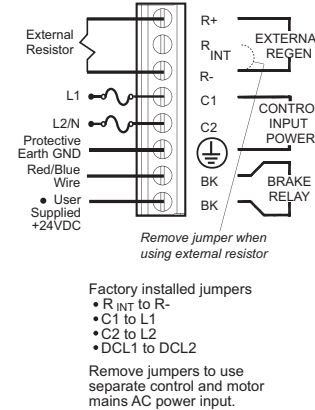
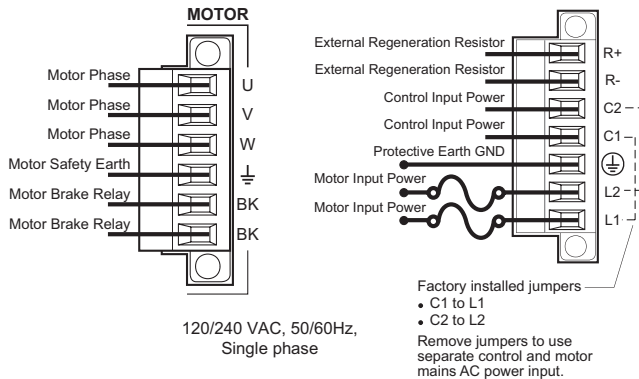
AR-20 and AR-30

Output Power Connector

Mains Power Connector

Control Connector

Power/Motor Connector



Drive I/O Connector

Encoder Feedback

Resolver Feedback

Signal	Pin	Signal	Pin
ENABLE+	1	DIRECTION+	12
ENABLE-	21	DIRECTION-	13
DGND	2	AIN+	14
ENC A+	3	AIN-	15
ENC A-	4	DGND	17
ENC B+	5	RESET+	18
ENC B-	6	RESET-	23
ENC Z+	7	DGND	19
ENC Z-	8	DGND	20
FAULT+	9	DGND	22
FAULT-	16	DGND	24
STEP+	10	RS-232Rx/RS-485+	25
STEP-	11	RS-232Tx/RS-485-	26

Signal	Pin
ENC Z+/DATA+	1
ENC Z-/DATA-	2
DGND	3
+5 VDC (250mA max)	4
+5 VDC (250mA max)	5
DGND	6
ENC A-/SIN-	7
ENC A+/SIN+	8
Hall 1/SCLK+	9
Thermal+	10
Thermal-	15
ENC B-/COS-	10
ENC B+/COS+	12
Hall 2/SCLK-	13
Hall 3	14

Signal	Pin
No Connection	1
No Connection	2
Thermal-	3
Reference+	4
Reference-	15
No Connection	5
Thermal-	6
Thermal+	10
SIN-	7
SIN+	8
No Connection	9
COS-	11
COS+	12
No Connection	13
No Connection	14

NOTE: A box surrounding the pins indicates that twisted-pair wiring is required.

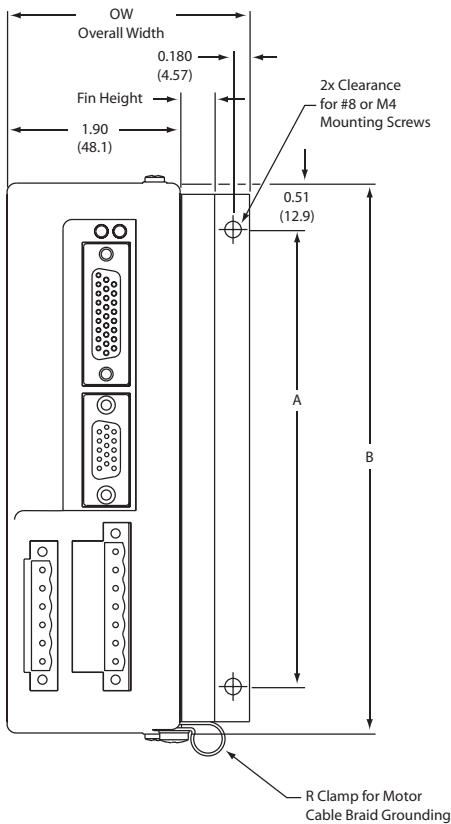
Aries Dimensions

Drive Dimensions

Drive	A- in (mm)	B- in (mm)	Fin Height in (mm)	Overall Width (OW) in (mm)
AR-01	5.00 (127)	6.02 (153)	0.010 (0.25)	2.29 (58.2)
AR-02	5.00 (127)	6.02 (153)	0.375 (9.5)	2.65 (67.3)
AR-04	6.00 (152)	7.02 (178)	0.625 (15.9)	2.90 (73.7)
AR-08	6.00 (152)	7.02 (178)	1.000 (25.4)	3.28 (83.3)
AR-13	6.00 (152)	7.02 (178)	2.00 (50.8)	4.28 (108.7)
AR-20 & 30	-	-	1.48 (37.5)	4.67 (118.5)

Drive	Overall Depth in (mm)	Overall Depth with Cables in (mm)
AR-01	5.05 (128)	7.60 (193)
AR-02	5.05 (128)	7.60 (193)
AR-04	5.05 (128)	7.60 (193)
AR-08	5.05 (128)	7.60 (193)
AR-13	5.05 (128)	7.60 (193)
AR-20 & 30	6.72 (171)	9.27 (235.5)

AR-01 – AR-13



AR-20 and AR-30

