



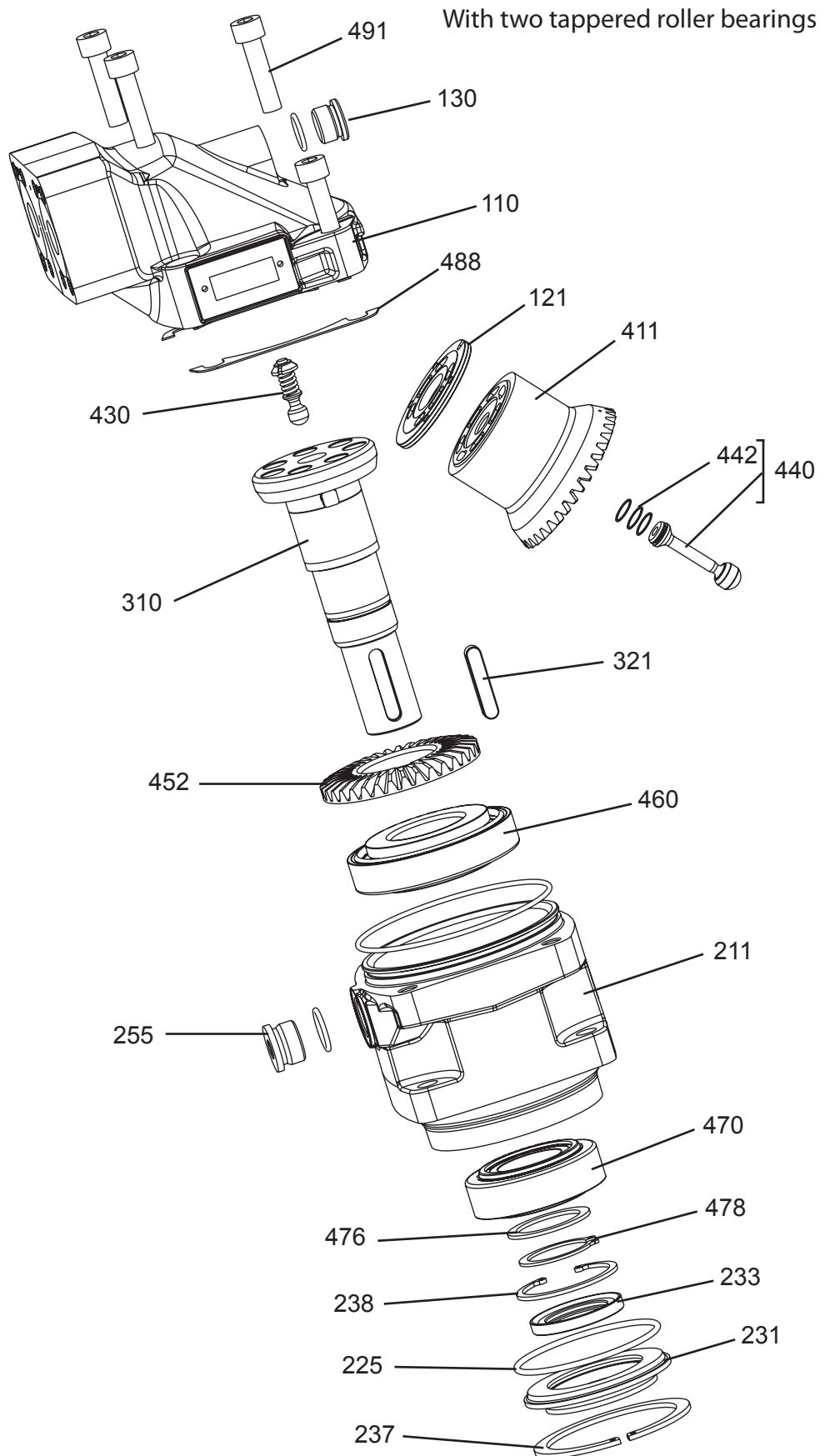
Bulletin HY30-5513-M1/UK/SE

# Spare Parts Series F12

Effective: October, 2013  
Supersedes: August, 2013

---





F12-030 all types from serial no. 1998020001 and up.  
With two tapered roller bearings.

Item	Part No	Title	Benämning	Qty	Remarks
110	3798186	Barrel Housing Assy	Trumhus kpl	1	Type F
110	3798187	Barrel Housing Assy	Trumhus kpl	1	Type S
110	3780145	Barrel Housing Assy	Trumhus kpl	1	Type U
121	3792037	Valve Plate	Ventilskiva	1	Type L
121	3791911	Valve Plate	Ventilskiva	1	Type M
121	3791912	Valve Plate	Ventilskiva	1	Type R
130	3707298	Hex Socket Plug Assy	Insexpropp kpl	1	For S- Housing
130	3793607	Hex Socket Plug Assy	Insexpropp kpl	1	For F-Housing
211	3788316	Bearing Housing	Lagerhus	1	Type I "See SI 97/01" Repl 3799651
211	3788317	Bearing Housing	Lagerhus	1	Type I "Speed sensor" Repl 3799959
211	3788326	Bearing Housing	Lagerhus	1	Type C "Speed sensor" Repl 3780325
211	3788323	Bearing Housing	Lagerhus	1	Type S "Speed sensor" Repl 3780131
211	3788322	Bearing Housing	Lagerhus	1	Type S "See SI 97/01" Repl 3799649
211	3788319	Bearing Housing	Lagerhus	1	Type T "See SI 97/01" Repl 3799621
211	3788320	Bearing Housing	Lagerhus	1	Type T "Speed sensor" Repl 3799125
221	3792811	O-Ring	O-Ring	1	Nitril 103*2,5
221	976638	O-Ring	O-Ring	1	Viton 103*2,5
225	925094	O-Ring	O-Ring	1	Nitril 74,5*3
225	974584	O-Ring	O-Ring	1	Viton 74,5*3
229	3792912	O-Ring	O-Ring	1	Nitril 127*4
229	976640	O-Ring	O-Ring	1	Viton 127*4
231	3797194	Seal Carrier	Tättringshållare	1	
233	3786839	Shaft Seal	Tättningsring	1	Type V Repl. 3791734, 3793418, 3706183
233	3797195	Shaft Seal	Tättningsring	1	Type N,
237	914540	Retaining Ring	Spårring	1	
238	914529	Retaining Ring	Spårring	1	
256	3793171	Bleeder Plug	Luftningspropp	1	For C-Housing, M14
257	945653	Seal Washer	Tätbricka	1	For C-Housing
310	3799648	Shaft	Axel	1	Repl. 3799636 Type C "See SI 97/01"
310	3799638	Shaft	Axel	1	Type D "See SI 97/01"
310	3799632	Shaft	Axel	1	Type K "See SI 97/01"
310	3799644	Shaft	Axel	1	Type P Max 350 Bar
310	3799634	Shaft	Axel	1	Type S "See SI 97/01"
310	3799640	Shaft	Axel	1	Type T "See SI 97/01"
310	3799646	Shaft	Axel	1	Type Z "See SI 97/01"
315	3709162	Guide Pin	Styrtapp	1	
321	909306	Flat Key	Plattkil	1	For K
321	118225	Flat Key	Plattkil	1	For T
411	3798157	Cylinder Barrel	Cylindertrumma	1	
411	3782447	Cylinder Barrel	Cylindertrumma	1	Pump version
430	3709838	Barrel Support	Trumstöd	1	
440	3791925	Piston Assy	Kolv kpl	7	
442	3791596	Piston Ring	Lamellring	21	Not available See SI 98/02
452	3791927	Ring Gear	Kuggkrans	1	
460	3797156	Tap Rol Bearing	Kon rullager	1	31308
470	3796929	Tap Rol Bearing	Kon rullager	1	32207

F12-030 all types from serial no. 1998020001 and up.  
With two tapered roller bearings.

Item	Part No	Title	Benämning	Qty	Remarks
476	3799569	Spacer Washer	Distansbricka		1,85 mm
476	3799570	Spacer Washer	Distansbricka		1,90 mm
476	3799571	Spacer Washer	Distansbricka		1,95 mm
476	3799572	Spacer Washer	Distansbricka		2,00 mm
476	3799573	Spacer Washer	Distansbricka		2,05 mm
476	3799574	Spacer Washer	Distansbricka		2,10 mm
476	3799575	Spacer Washer	Distansbricka		2,15 mm
476	3799576	Spacer Washer	Distansbricka		2,20 mm
476	3799577	Spacer Washer	Distansbricka		2,25 mm
476	3799578	Spacer Washer	Distansbricka		2,30 mm
476	3799579	Spacer Washer	Distansbricka		2,35 mm
476	3799580	Spacer Washer	Distansbricka		2,40 mm
476	3799581	Spacer Washer	Distansbricka		2,45 mm
476	3799582	Spacer Washer	Distansbricka		2,50 mm Not available
478	914465	Retaining Ring	Spärring	1	
488	3793622	Shim	Justerbricka	2	0,2
488	3793623	Shim	Justerbricka	2	0,4
488	3793624	Shim	Justerbricka	2	0,6
488	3793625	Shim	Justerbricka	2	0,8
488	3793626	Shim	Justerbricka	2	1,0
488	3797825	Shim	Justerbricka	2	0,7
491	974109	Hex Socket Screw	Insexskruv	4	M10*40

F12-040 all types from serial no. 1998020001 and up.

With two tapered roller bearings.

Item	Part No	Title	Benämning	Qty	Remarks
110	3798203	Barrel Housing Assy	Trumhus kpl	1	Type F
110	3798204	Barrel Housing Assy	Trumhus kpl	1	Type S
110	3781398	Barrel Housing Assy	Trumhus kpl	1	Type U
121	3791573	Valve Plate	Ventilskiva	1	Type L
121	3793456	Valve Plate	Ventilskiva	1	Type M
121	3791572	Valve Plate	Ventilskiva	1	Type R
130	3707298	Hex Socket Plug Assy	Insexpropp kpl	1	For S-Housing
130	3793607	Hex Socket Plug Assy	Insexpropp kpl	1	For F-Housing
211	3799484	Bearing Housing	Lagerhus	1	Type C "See SI 97/04"
211	3780330	Bearing Housing	Lagerhus	1	Type C "Speed sensor"
211	3799485	Bearing Housing	Lagerhus	1	Type I "See SI 97/04"
211	3799967	Bearing Housing	Lagerhus	1	Type I "Speed sensor"
211	3780130	Bearing Housing	Lagerhus	1	Type S "Speed sensor"
211	3799483	Bearing Housing	Lagerhus	1	Type S "See SI 97/04"
211	3799622	Bearing Housing	Lagerhus	1	Type T "See SI 97/04"
211	3799127	Bearing Housing	Lagerhus	1	Type T "Speed sensor"
211	3799486	Bearing Housing	Lagerhus	1	Type X "See SI 97/04"
221	948865	O-Ring	O-Ring	1	Nitril
221	976639	O-Ring	O-Ring	1	Viton
225	925258	O-Ring	O-Ring	1	Nitril
225	948981	O-Ring	O-Ring	1	Viton
229	3792913	O-Ring	O-Ring	1	Nitril
229	976641	O-Ring	O-Ring	1	Viton
231	3796201	Seal Carrier	Tättringshållare	1	
233	118752	Shaft Seal	Tättningsring	1	Type E, Viton LP
233	3786838	Shaft Seal	Tättningsring	1	Type V, repl. 118752, 3795084, 3793419
237	914548	Retaining Ring	Spårring	1	
238	914534	Retaining Ring	Spårring	1	
256	3793171	Bleeder Plug	Luftningspropp	1	For C-Housing, M14
257	945653	Seal Washer	Tätbricka	1	For C-Housing
310	3799455	Shaft	Axel	1	Type C "See SI 97/04"
310	3799457	Shaft	Axel	1	Type D "See SI 97/04"
310	3799451	Shaft	Axel	1	Type K "See SI 97/04"
310	3799453	Shaft	Axel	1	Type S "See SI 97/04"
310	3799459	Shaft	Axel	1	Type T "See SI 97/04"
310	3799461	Shaft	Axel	1	Type Z "See SI 97/04"
315	3709162	Guide Pin	Styrtapp	1	
321	909308	Flat Key	Plattkil	1	For K
321	118226	Flat Key	Plattkil	1	For T
411	3798159	Cylinder Barrel	Cylindertrumma	1	
411	3782497	Cylinder Barrel	Cylindertrumma	1	Pump version
430	3709839	Barrel Support Assy	Trumstöd kpl	1	
440	3791587	Piston Assy	Kolv kpl	7	
442	3705969	Piston Ring	Lamellring	21	Not available see SI 08/02
452	3791589	Ring Gear	Kuggkrans	1	
460	184687	Tap Rol Bearing	Kon rullager	1	
470	118770	Tap Rol Bearing	Kon rullager	1	

F12-040 all types from serial no. 1998020001 and up.  
With two tapered roller bearings.

Item	Part No	Title	Benämning	Qty	Remarks
476	3799602	Spacer Washer	Distansbricka		2,35 mm
476	3799603	Spacer Washer	Distansbricka		2,40 mm
476	3799604	Spacer Washer	Distansbricka		2,45 mm
476	3799605	Spacer Washer	Distansbricka		2,50 mm
476	3799606	Spacer Washer	Distansbricka		2,55 mm
476	3799607	Spacer Washer	Distansbricka		2,60 mm
476	3799608	Spacer Washer	Distansbricka		2,65 mm
476	3799609	Spacer Washer	Distansbricka		2,70 mm
476	3799610	Spacer Washer	Distansbricka		2,75 mm
476	3799611	Spacer Washer	Distansbricka		2,80 mm
476	3799612	Spacer Washer	Distansbricka		2,85 mm
476	3799613	Spacer Washer	Distansbricka		2,90 mm
476	3799614	Spacer Washer	Distansbricka		2,95 mm
476	3799615	Spacer Washer	Distansbricka		3,00 mm Not available
478	914470	Retaining Ring	Spårring	1	
488	3793628	Shim	Justerbricka	2	0,2
488	3793629	Shim	Justerbricka	2	0,4
488	3793630	Shim	Justerbricka	2	0,6
488	3793631	Shim	Justerbricka	2	0,8
488	3793632	Shim	Justerbricka	2	1,0
491	969169	Hex Socket Screw	Insexskruv	4	M10*45

F12-060 all types from serial no. 1998020001 and up.  
With two tapered roller bearings.

Item	Part No	Title	Benämning	Qty	Remarks
110	3798562	Barrel Housing Assy	Trumhus kpl	1	Type F
110	3798563	Barrel Housing Assy	Trumhus kpl	1	Type S
110	3781312	Barrel Housing Assy	Trumhus kpl	1	Type U
121	3709859	Valve Plate	Ventilskiva	1	Type L
121	3791799	Valve Plate	Ventilskiva	1	Type M
121	3709858	Valve Plate	Ventilskiva	1	Type R
130	3708150	Hex socket Plug Assy	Insexpropp	1	For S-Housing
130	3793563	Hex socket Plug Assy	Insexpropp	1	For F-Housing
211	3799675	Bearing Housing	Lagerhus	1	Type C "See SI 97/05"
211	3780331	Bearing Housing	Lagerhus	1	Type C "Speed sensor"
211	3799676	Bearing Housing	Lagerhus	1	Type I "See SI 97/05"
211	3780127	Bearing Housing	Lagerhus	1	Type I "Speed sensor"
211	3780124	Bearing Housing	Lagerhus	1	Type S "Speed sensor"
211	3799677	Bearing Housing	Lagerhus	1	Type S "See SI 97/05"
211	3799623	Bearing Housing	Lagerhus	1	Type T "See SI 97/05"
211	3799129	Bearing Housing	Lagerhus	1	Type T "Speed sensor"
221	925263	O-Ring	O-Ring	1	Nitril
221	948982	O-Ring	O-Ring	1	Viton
225	925258	O-Ring	O-Ring	1	Nitril
225	948981	O-Ring	O-Ring	1	Viton
229	3792913	O-Ring	O-Ring	1	Nitril
229	976641	O-Ring	O-Ring	1	Viton
231	3796201	Seal Carrier	Tättringshållare	1	
233	117852	Shaft Seal	Tättningsring	1	Type N, Nitril LP
233	3786838	Shaft Seal	Tättningsring	1	Type V, repl 118752, 3795084, 3793419
237	914548	Retaining Ring	Spårring	1	
238	914534	Retaining Ring	Spårring	1	
256	3793171	Bleeder Plug	Luftningspropp	1	For C-Housing
257	945653	Seal Washer	Tätbricka	1	For C-Housing
310	3799686	Shaft assy	Axel kpl	1	Type C "See SI 97/05"
310	3799688	Shaft assy	Axel kpl	1	Type D "See SI 97/05"
310	3799682	Shaft assy	Axel kpl	1	Type K "See SI 97/05"
310	3799684	Shaft assy	Axel kpl	1	Type S "See SI 97/05"
310	3799690	Shaft assy	Axel kpl	1	Type T "See SI 97/05"
310	3799692	Shaft assy	Axel kpl	1	Type X-105 "See SI 97/05"
310	3799694	Shaft assy	Axel kpl	1	Type X-109 "See SI 97/05"
315	3709162	Guide Pin	Styrtapp	1	Old type
315	3709308	Guide Pin	Styrtapp	1	From Serialno 1995450001
321	909323	Flat Key	Plattkil	1	For K
321	118226	Flat Key	Plattkil	1	For T
411	3797719	Cylinder Barrel	Cylindertrumma	1	
411	3781278	Cylinder Barrel	Cylindertrumma	1	Pump version
430	3709840	Barrel Support	Trumstöd	1	
440	3709470	Piston Assy	Kolv kpl	7	
442	3795377	Piston Ring	Lamellring	21	Not available see SI 08/02
452	3799822	Ring Gear	Kuggkrans	1	
460	184660	Tap Rol Bearing	Kon rullager	1	
470	118770	Tap Rol Bearing	Kon rullager	1	

F12-060 all types from serial no. 1998020001 and up.  
With two tapered roller bearings.

Item	Part No	Title	Benämning	Qty	Remarks
476	3799602	Spacer Washer	Distansbricka		2,35 mm
476	3799603	Spacer Washer	Distansbricka		2,40 mm
476	3799604	Spacer Washer	Distansbricka		2,45 mm
476	3799605	Spacer Washer	Distansbricka		2,50 mm
476	3799606	Spacer Washer	Distansbricka		2,55 mm
476	3799607	Spacer Washer	Distansbricka		2,60 mm
476	3799608	Spacer Washer	Distansbricka		2,65 mm
476	3799609	Spacer Washer	Distansbricka		2,70 mm
476	3799610	Spacer Washer	Distansbricka		2,75 mm
476	3799611	Spacer Washer	Distansbricka		2,80 mm
476	3799612	Spacer Washer	Distansbricka		2,85 mm
476	3799613	Spacer Washer	Distansbricka		2,90 mm
476	3799614	Spacer Washer	Distansbricka		2,95 mm
478	914470	Retaining Ring	Spärring	1	
488	3793616	Shim	Justerbricka	2	0,2
488	3793617	Shim	Justerbricka	2	0,4
488	3793618	Shim	Justerbricka	2	0,6
488	3793619	Shim	Justerbricka	2	0,8
488	3793620	Shim	Justerbricka	2	1,0
491	969169	Hex Socket Screw	Insexskruv	4	



F12-080 all types from serial no. 1998491161 and up.

With two tapered roller bearings and without needle bearings.

Item	Part No	Title	Benämning	Qty	Remarks
110	3780658	Barrel Housing Assy	Trumhus kpl	1	Type F
110	3780660	Barrel Housing Assy	Trumhus kpl	1	Type S
110	3780156	Barrel Housing Assy	Trumhus kpl	1	Type F, For Flushing
110	3780157	Barrel Housing Assy	Trumhus kpl	1	Type S, For Flushing
110	3785809	Barrel Housing Assy	Trumhus kpl	1	Type U
121	3709709	Valve Plate	Ventilskiva	1	Type L
121	3792773	Valve Plate	Ventilskiva	1	Type M
121	3709708	Valve Plate	Ventilskiva	1	Type R
130	3708150	Hex Socket Plug Assy	Insexpropp kpl	1	For S-Housing
130	3793563	Hex Socket Plug Assy	Insexpropp kpl	1	For F-Housing
211	3780709	Bearing Housing	Lagerhus	1	Type C "See SI 98/11"
211	3780327	Bearing Housing	Lagerhus	1	Type C "Speed sensor"
211	3780710	Bearing Housing	Lagerhus	1	Type I "See SI 98/11"
211	3780813	Bearing Housing	Lagerhus	1	Type I "Speed sensor"
211	3780711	Bearing Housing	Lagerhus	1	Type S "See SI 98/11"
211	3780812	Bearing Housing	Lagerhus	1	Type S "Speed sensor"
211	3780713	Bearing Housing	Lagerhus	1	Type X "See SI 98/11"
221	3782556	O-Ring	O-Ring	1	Nitril Replaces 925265
221	925265	O-Ring	O-Ring	1	Nitril Replaces 948984
225	925260	O-Ring	O-Ring	1	Nitril
225	949841	O-Ring	O-Ring	1	Viton
229	3792875	O-Ring	O-Ring	1	Nitril
229	976642	O-Ring	O-Ring	1	Viton
231	3796200	Seal Carrier	Tättringshållare	1	
233	117853	Shaft Seal	Tättningsring	1	Type N, Nitril LP
233	3786395	Shaft Seal	Tättningsring	1	Type V, repl. 117853, 3795085, 3793420
237	914550	Retaining Ring	Spärring	1	
238	914537	Retaining Ring	Spärring	1	
256	3793171	Bleeder Plug	Luftningspropp	1	For C-Housing
257	945653	Seal Washer	Tätbricka	1	For C-Housing
310	3780671	Shaft	Axel	1	Type C "See SI 98/11"
310	3780673	Shaft	Axel	1	Type D "See SI 98/11"
310	3780667	Shaft	Axel	1	Type K "See SI 98/11"
310	3780669	Shaft	Axel	1	Type S "See SI 98/11"
310	3780675	Shaft	Axel	1	Type T "See SI 98/11"
310	3780677	Shaft	Axel	1	Type U, Max 350 Bar
315	3709308	Guide Pin	Styrtapp	1	
321	3709687	Flat Key	Plattkil	1	For T
321	948125	Flat Key	Plattkil	1	For K
411	3787843	Cylinder Barrel	Cylindertrumma	1	See SI 09/05
411	3787844	Cylinder Barrel	Cylindertrumma	1	Pump version See SI 09/05
430	3709840	Barrel Support	Trumstöd	1	
440	3709307	Piston Assy	Kolv kpl	7	
442	3705784	Piston Ring	Lamellring	21	Not available see SI 08/02
452	3787847	Ring gear	Kuggkrans	1	See SI 09/05
460	184694	Tap Rol Bearing	Kon rullager	1	
470	118231	Tap Rol Bearing	Kon rullager	1	

F12-080 all types from serial no. 1998491161 and up.  
With two tapered roller bearings and without needle bearings.

Item	Part No	Title	Benämning	Qty	Remarks
476	3799322	Spacer Washer	Distansbricka		2,35
476	3799323	Spacer Washer	Distansbricka		2,40
476	3799324	Spacer Washer	Distansbricka		2,45
476	3799325	Spacer Washer	Distansbricka		2,50
476	3799326	Spacer Washer	Distansbricka		2,55
476	3799327	Spacer Washer	Distansbricka		2,60
476	3799328	Spacer Washer	Distansbricka		2,65
476	3799329	Spacer Washer	Distansbricka		2,70
476	3799330	Spacer Washer	Distansbricka		2,75
476	3799331	Spacer Washer	Distansbricka		2,80
476	3799332	Spacer Washer	Distansbricka		2,85
476	3799333	Spacer Washer	Distansbricka		2,90
476	3799334	Spacer Washer	Distansbricka		2,95
476	3799335	Spacer Washer	Distansbricka		3,00 Not available
478	914474	Retaining Ring	Spårring	1	
488	3793634	Shim	Justerbricka	2	0,2
488	3793635	Shim	Justerbricka	2	0,4
488	3793636	Shim	Justerbricka	2	0,6
488	3793637	Shim	Justerbricka	2	0,8
488	3793638	Shim	Justerbricka	2	1,0
491	948670	Hex Socket Screw	Insexskruv	4	M12*50

## F12-090 all types

Item	Part No	Title	Benämning	Qty	Remarks
110	3780658	Barrel Housing Assy	Trumhus kpl	1	Type F
110	3780660	Barrel Housing Assy	Trumhus kpl	1	Type S
110	3785809	Barrel Housing Assy	Trumhus kpl	1	Type U
110	3780156	Barrel Housing Assy	Trumhus kpl	1	Type F, For Flushing
110	3780157	Barrel Housing Assy	Trumhus kpl	1	Type S, For Flushing
121	3709709	Valve Plate	Ventilskiva	1	Type L
121	3785333	Valve Plate	Ventilskiva	1	Type M
130	3708150	Hex Socket Plug Assy	Insexpropp kpl	1	For S-Housing
130	3793563	Hex Socket Plug Assy	Insexpropp kpl	1	For F-Housing
211	3780709	Bearing Housing	Lagerhus	1	Type C "See SI 98/11"
211	3780327	Bearing Housing	Lagerhus	1	Type C "Speed sensor"
211	3780710	Bearing Housing	Lagerhus	1	Type I "See SI 98/11"
211	3780813	Bearing Housing	Lagerhus	1	Type I "Speed sensor"
211	3780711	Bearing Housing	Lagerhus	1	Type S "See SI 98/11"
211	3780812	Bearing Housing	Lagerhus	1	Type S "Speed sensor"
211	3780713	Bearing Housing	Lagerhus	1	Type X "See SI 98/11"
221	3782556	O-Ring	O-Ring	1	Nitril Replaces 925265
221	948984	O-Ring	O-Ring	1	Viton
225	925260	O-Ring	O-Ring	1	Nitril
225	949841	O-Ring	O-Ring	1	Viton
229	3792875	O-Ring	O-Ring	1	Nitril
229	976642	O-Ring	O-Ring	1	Viton
231	3796200	Seal Carrier	Tättringshållare	1	
233	117853	Shaft Seal	Tättningsring	1	Type N, Nitril LP
233	3786395	Shaft Seal	Tättningsring	1	Type V, repl. 118753, 3795085 3793420
237	914550	Retaining Ring	Spärring	1	
238	914537	Retaining Ring	Spärring	1	
256	3793171	Bleeder Plug	Luftningspropp	1	For C-Housing
257	945653	Seal Washer	Tätbricka	1	For C-Housing
310	3780671	Shaft	Axel	1	Type C "See SI 98/11"
310	3780673	Shaft	Axel	1	Type D "See SI 98/11"
310	3780667	Shaft	Axel	1	Type K "See SI 98/11"
310	3780669	Shaft	Axel	1	Type S "See SI 98/11"
310	3780675	Shaft	Axel	1	Type T "See SI 98/11"
310	3780677	Shaft	Axel	1	Type U, Max 350 Bar
315	3709308	Guide Pin	Styrtapp	1	
321	3709687	Flat Key	Plattkil	1	For T
321	948125	Flat Key	Plattkil	1	For K
411	3787845	Cylinder Barrel	Cylindertrumma	1	See SI 09/05
411	3787846	Cylinder Barrel Pump	Cylindertrumma	1	Pump version See SI 09/05
430	3709840	Barrel Support	Trumstöd	1	
440	3785566	Piston Assy	Kolv kpl	7	
442	3792841	Piston Ring	Lamellring	21	Not available see SI 08/02
452	3787847	Ring gear	Kuggkrans	1	See SI 09/05
460	184694	Tap Rol Bearing	Kon rullager	1	
470	118231	Tap Rol Bearing	Kon rullager	1	

F12-090 all types

Item	Part No	Title	Benämning	Qty	Remarks
476	3799322	Spacer Washer	Distansbricka		2,35
476	3799323	Spacer Washer	Distansbricka		2,40
476	3799324	Spacer Washer	Distansbricka		2,45
476	3799325	Spacer Washer	Distansbricka		2,50
476	3799326	Spacer Washer	Distansbricka		2,55
476	3799327	Spacer Washer	Distansbricka		2,60
476	3799328	Spacer Washer	Distansbricka		2,65
476	3799329	Spacer Washer	Distansbricka		2,70
476	3799330	Spacer Washer	Distansbricka		2,75
476	3799331	Spacer Washer	Distansbricka		2,80
476	3799332	Spacer Washer	Distansbricka		2,85
476	3799333	Spacer Washer	Distansbricka		2,90
476	3799334	Spacer Washer	Distansbricka		2,95
476	3799335	Spacer Washer	Distansbricka		3,00 Not available
478	914474	Retaining Ring	Spårring	1	
488	3782242	Shim	Justerbricka	2	0,5
488	3793634	Shim	Justerbricka	2	0,2
488	3793635	Shim	Justerbricka	2	0,4
488	3793636	Shim	Justerbricka	2	0,6
488	3793637	Shim	Justerbricka	2	0,8
488	3793638	Shim	Justerbricka	2	1,0
488	3796418	Shim	Justerbricka	2	0,7
491	948670	Hex Socket Screw	Insexskruv	4	M12*50

## SP158

F12-110 from serial no. 2000141259, see SI 99/09.

F12-110 from serial no. 200402010001, see SI 04/01.

With two tapered roller bearings.

Pos	Part No	Title	Benämning	Qty	Remarks
110	3794372	Barrel Housing Assy	Trumhus kpl	1	Type S
110	3709914	Barrel Housing Assy	Trumhus kpl	1	Type F
110	3782332	Barrel Housing Assy	Trumhus kpl	1	Type U
121	3794369	Valve Plate	Ventilskiva	1	Type M
121	3791577	Valve Plate	Ventilskiva	1	Type L
121	3791576	Valve Plate	Ventilskiva	1	Type R
130	3707299	Hex Socket Plug Assy	Insexpropp kpl	1	For S-Housing
130	3793563	Hex Socket Plug Assy	Insexpropp kpl	1	For F-Housing
211	3781439	Bearing Housing	Lagerhus	1	Type S "See SI 99/09"
211	3781448	Bearing Housing	Lagerhus	1	Type S "Speed sensor"
211	3781438	Bearing Housing	Lagerhus	1	Type I "See SI 99/09"
211	3781447	Bearing Housing	Lagerhus	1	Type I "Speed sensor"
211	3781449	Bearing Housing	Lagerhus	1	Type C "Speed sensor" Repl. 3781443
221	925267	O-ring	O-Ring	1	Nitril
221	948985	O-Ring	O-Ring	1	Viton
225	3796540	O-Ring	O-Ring	1	Nitril
225	3796541	O-Ring	O-Ring	1	Viton
229	976643	O-Ring	O-Ring	1	Viton
231	3796182	Seal Carrier	Tättringshållare	1	For N
233	117854	Shaft Seal	Tättningsring	1	Type N, Nitril LP
233	3786314	Shaft Seal (See SI 07/01)	Tättningsring	1	Type V, repl. 3795086, 3793426, 118754
237	914552	Retaining Ring	Spårring	1	
238	914540	Retaining Ring	Spårring	1	Only for 3796182
255	3707299	Hex Socket Plug Assy	Insexpropp kpl	1	For S-Housing
256	3705912	Bleeder Plug	Luftningspropp	1	For C-Housing
257	948885	Seal Washer	Tätbricka	1	For C-Housing
310	3783320	Shaft	Axel	1	Type S "See SI 04/01"
310	3783323	Shaft	Axel	1	Type C "See SI 04/01"
310	3783322	Shaft	Axel	1	Type D "See SI 04/01"
310	3783321	Shaft	Axel	1	Type K "See SI 04/01"
310	3783324	Shaft	Axel	1	Type T "See SI 04/01"
315	3794556	Guide pin	Styrtapp	1	See SI 04/01
321	909358	Flat Key	Plattkil	1	Typ K
321	118227	Flat Key	Plattkil	1	Typ T
411	3709801	Cylinder Barrel	Cylindertrumma	1	
411	3782462	Cylinder Barrel	Cylindertrumma	1	Pump version
415	184129	Needle Bearing	Nållager	2	
430	3709930	Barrel Support	Trumstöd	1	
440	3706407	Piston Assy	Kolv kpl	7	Replaces 3780928
442	3705975	Piston Ring	Lamellring	21	Not available see SI 08/02
452	3783319	Ring gear	Kuggkrans	1	See SI 04/01
460	184662	Tap Rol Bearing	Kon rullager	1	
470	11075	Tap Rol Bearing	Kon rullager	1	

F12-110 from serial no. 2000141259, see SI 99/09.

F12-110 from serial no. 200402010001, see SI 04/01.

With two tapered roller bearings.

Pos	Part No	Title	Benämning	Qty	Remarks
476	3799337	Spacer Washer	Distansbricka		2,35
476	3799338	Spacer Washer	Distansbricka		2,40
476	3799339	Spacer Washer	Distansbricka		2,45
476	3799340	Spacer Washer	Distansbricka		2,50
476	3799341	Spacer Washer	Distansbricka		2,55
476	3799342	Spacer Washer	Distansbricka		2,60
476	3799343	Spacer Washer	Distansbricka		2,65
476	3799344	Spacer Washer	Distansbricka		2,70
476	3799345	Spacer Washer	Distansbricka		2,75
476	3799346	Spacer Washer	Distansbricka		2,80
476	3799347	Spacer Washer	Distansbricka		2,85
476	3799348	Spacer Washer	Distansbricka		2,90
476	3799349	Spacer Washer	Distansbricka		2,95
478	914476	Retaining Ring	Spårring	1	
488	3794036	Shim	Justerbricka	2	0,2
488	3794037	Shim	Justerbricka	2	0,4
488	3794038	Shim	Justerbricka	2	0,6
488	3794040	Shim	Justerbricka	2	0,8
488	3794041	Shim	Justerbricka	2	1,0
491	948670	Hex Socket Screw	Insexskruv	4	

## F12-125 all types

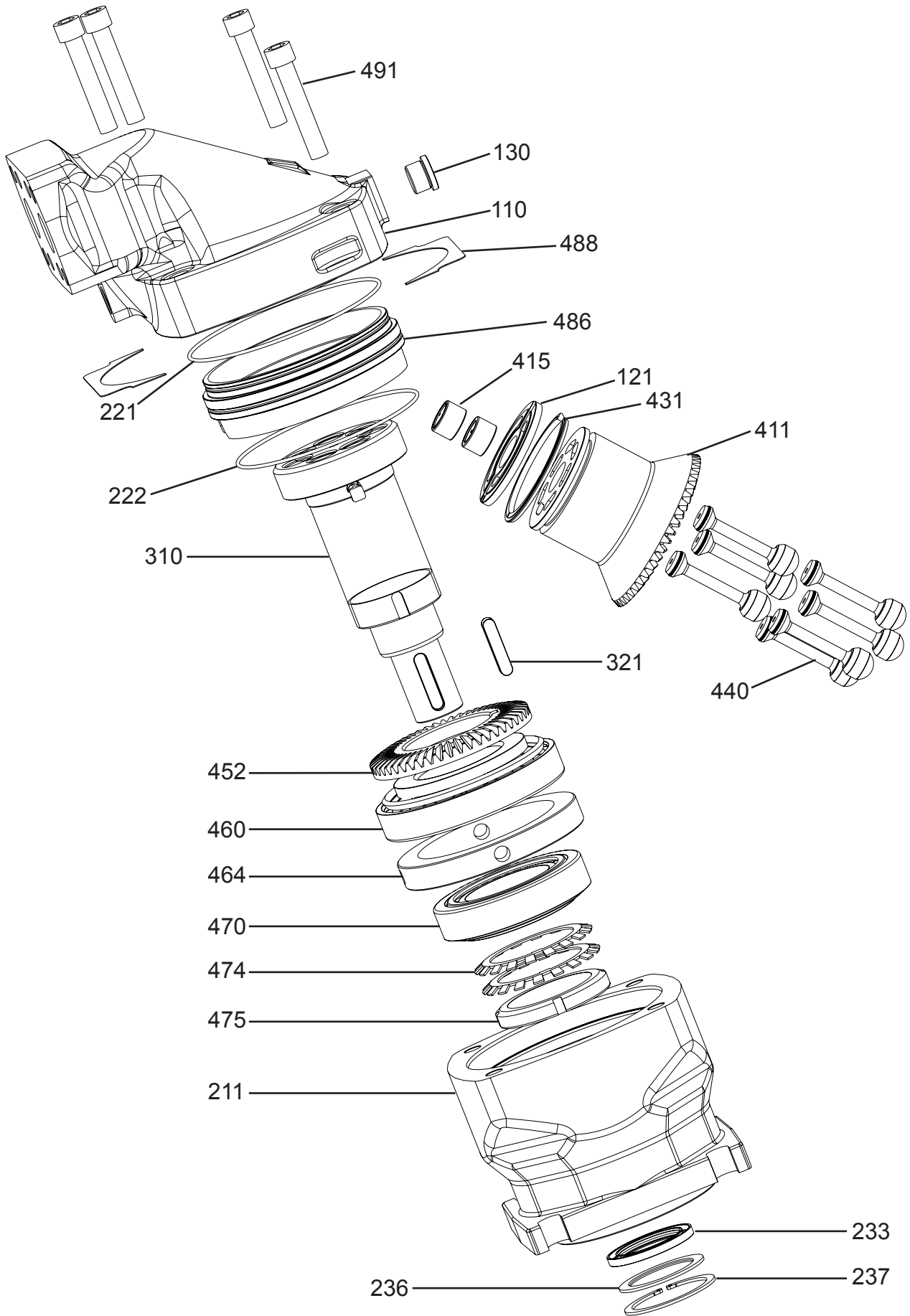
Pos	Part No	Title	Benämning	Qty	Remarks
61	3785641	HexAgon Plug	Sexkantpropp	1	
62	3785682	Seal Washer	Tätbricka	1	
110	3709914	Barrel Housing Assy	Trumhus kpl	1	Type F
110	3794372	Barrel Housing Assy	Trumhus kpl	1	Type S
110	3782332	Barrel Housing Assy	Trumhus kpl	1	Type U
121	3785336	Valve Plate	Ventilskiva	1	Type M
121	3785644	Valve Plate	Ventilskiva	1	Type R
130	3793563	Hex Socket Plug	Insexpropp	1	M22 For F-Housing
130	3707299	Hex Socket Plug	Insexpropp	1	1 1/16 For S-Housing
211	3781443	Bearing Housing	Lagerhus	1	Type C
211	3781449	Bearing Housing	Lagerhus	1	Type C "Speed sensor"
211	3781438	Bearing Housing	Lagerhus	1	Type I
211	3781447	Bearing Housing	Lagerhus	1	Type I "Speed sensor"
211	3781439	Bearing Housing	Lagerhus	1	Type S
211	3781448	Bearing Housing	Lagerhus	1	Type S "Speed sensor"
221	925267	O-ring	O-Ring	1	Nitril
221	948985	O-Ring	O-Ring	1	Viton
225	3796540	O-Ring	O-Ring	1	Nitril
225	3796541	O-Ring	O-Ring	1	Viton
231	3796182	Seal Carrier	Tättringshållare	1	
233	3786314	Shaft Seal (See SI 07/01)	Tätningring	1	Type V, repl. 3795086, 3793426
237	914552	Retaining Ring	Spårring	1	
238	914540	Retaining Ring	Spårring	1	
255	3793563	Hex Socket Plug	Insexpropp	1	M22
255	3707299	Hex Socket Plug	Insexpropp	1	1 1/16
310	3783321	Shaft	Axel	1	Type K
310	3783322	Shaft	Axel	1	Type D
310	3783320	Shaft	Axel	1	Type S
310	3783324	Shaft	Axel	1	Type T
321	909358	Flat Key	Plattkil	1	Type K
411	3785500	Cylinder Barrel	Cylindertrumma	1	
415	184129	Needle Bearing	Nållager	2	
430	3709930	Barrel Support	Trumstöd	1	
440	3785502	Piston Assy	Kolv kpl	7	
452	3783319	Ring gear	Kuggkrans	1	
460	184662	Tap Rol Bearing	Kon rullager	1	
470	11075	Tap Rol Bearing	Kon rullager	1	

Piston ring kit see SI 08/02

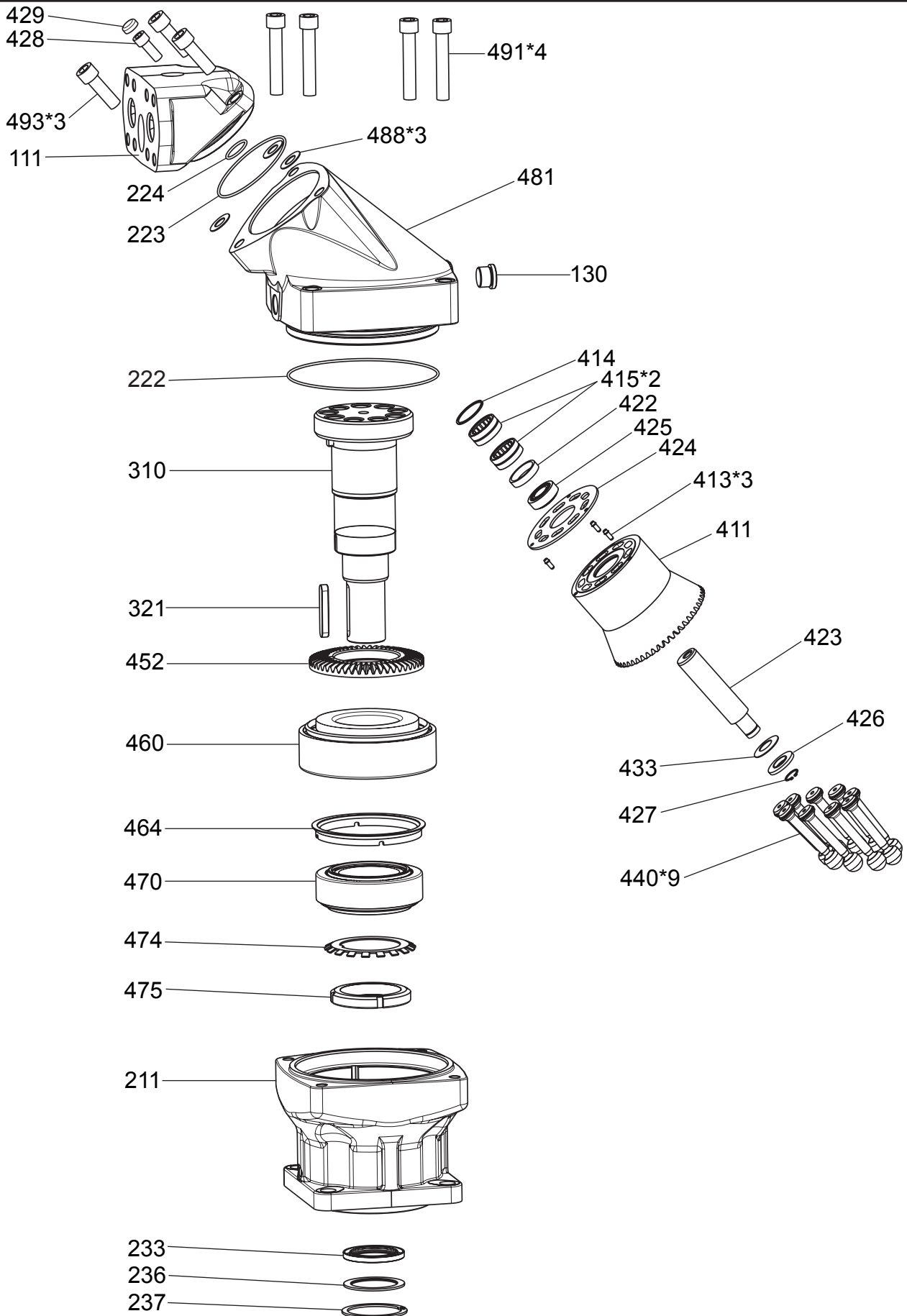
## F12-125 all types

Pos	Part No	Title	Benämning	Qty	Remarks
476	3799337	Spacer Washer	Distansbricka		2,35
476	3799338	Spacer Washer	Distansbricka		2,40
476	3799339	Spacer Washer	Distansbricka		2,45
476	3799340	Spacer Washer	Distansbricka		2,50
476	3799341	Spacer Washer	Distansbricka		2,55
476	3799342	Spacer Washer	Distansbricka		2,60
476	3799343	Spacer Washer	Distansbricka		2,65
476	3799344	Spacer Washer	Distansbricka		2,70
476	3799345	Spacer Washer	Distansbricka		2,75
476	3799346	Spacer Washer	Distansbricka		2,80
476	3799347	Spacer Washer	Distansbricka		2,85
476	3799348	Spacer Washer	Distansbricka		2,90
476	3799349	Spacer Washer	Distansbricka		2,95
478	914476	Retaining Ring	Spårring	1	
488	3782242	Shim	Justerbricka	2	0,5
488	3794036	Shim	Justerbricka	2	0,2
488	3794037	Shim	Justerbricka	2	0,4
488	3794038	Shim	Justerbricka	2	0,6
488	3794040	Shim	Justerbricka	2	0,8
488	3794041	Shim	Justerbricka	2	1,0
491	948670	Hex Socket Screw	Insexskruv	4	





Pos	Part No	Title	Benämning	Qty	Remarks
110	3794032	Barrel Housing Assy	Övre hus kpl	1	Type B
110	3794030	Barrel Housing Assy	Övre hus kpl	1	Type F
121	3702070	Valve Plate	Ventilskiva	1	Type G
121	3706310	Valve Plate	Ventilskiva	1	Type H
121	3707165	Valve Plate	Ventilskiva	1	Type J
121	3702800	Valve Plate	Ventilskiva	1	Type L
121	3708062	Valve Plate	Ventilskiva	1	Type L+H
121	72874	Valve Plate	Ventilskiva	1	Type M
121	3703467	Valve Plate	Ventilskiva	1	Type Q
121	3702796	Valve Plate	Ventilskiva	1	Type R
121	3708061	Valve Plate	Ventilskiva	1	Type R+H
131	944508	Hex Socket Plug	Insexpropp	1	
132	944252	Seal Washer	Tätbricka	1	
211	3794025	Bearing Housing	Undre hus	1	Type C
211	3794026	Bearing Housing	Undre hus	1	Type S
237	914540	Retaining Ring	Spårring	1	
310	3796159	Shaft Assy	Axel kpl	1	Type D
310	3796154	Shaft Assy	Axel kpl	1	Type K
310	3796157	Shaft Assy	Axel kpl	1	Type S
310	3796158	Shaft Assy	Axel kpl	1	Type T
315	3794556	Pin	Styrtapp	1	
321	909358	Flat Key	Plattkil	1	For K
321	118227	Flat Key	Plattkil	1	For T
411	3787648	Cylinder Barrel	Cylindertrumma	1	
415	3702356	Needle bearing	Nållager	2	
431	72890	Barrel Retaining Ring	Fästring	1	
440	3708660	Piston Assy	Kolv kpl	7	
442	3705764	Piston Ring	Kolvring	21	Not available see SI 08/02
452	3787647	Ring Gear	Kuggkrans	1	
460	3799030	Tap Rol Bearing	Kon rullager	1	
464	73390	Spacer Ring	Distansring	1	
470	118205	Tap Rol Bearing	Kon rullager	1	
474	907034	Lock Washer	Låsbricka	2	
475	906644	Round Nut	Rundmutter	1	
486	3797265	Guide Spacer	Styrhylsa	1	
488	3797481	Shim	Justerbricka	2	0.4
488	3797482	Shim	Justerbricka	2	0.5
488	3797483	Shim	Justerbricka	2	0.6
488	3797484	Shim	Justerbricka	2	0.7
491	959284	Hex Socket Screw	Insexskruv	4	M16



Item	Part No	Title	Benämning	Qty	Remarks
111	3795856	End Cap	Anslutningstopp	1	Type QF
111	3706518	End Cap	Anslutningstopp	1	Type LF
111	3706846	End Cap	Anslutningstopp	1	Type RF
130	3785229	Hex Socket Plug	Insexpropp	1	
211	3787079	Bearing Housing	Lagerhus	1	Type S (not available)
211	3787080	Bearing Housing	Lagerhus	1	Type S (drain)
237	914540	Retaining Ring	Spärring	1	
310	3787111	Shaft Assy	Axel kpl	1	Type K
310	3787114	Shaft Assy	Axel kpl	1	Type S
310	3787117	Shaft Assy	Axel kpl	1	Type F
311	3787120	Shaft Assy	Axel kpl	1	Type D
311	3788780	Shaft Assy	Axel kpl	1	Type T
311	3787123	Shaft Assy	Axel kpl	1	Type X
321	909358	Flat Key	Plattkil	1	For K
411	3787429	Cylinder Barrel	Cylindertrumma	1	
413	3791530	Spring Pin	Rörpinne	3	
414	3704909	Retaining Ring	Spärring	1	
415	3704911	Needle Bearing	Nållager	2	
422	3704887	Spacer Sleeve	Distanshylsa	1	
423	3704867	Barrel Spindle	Centrumaxel	1	
424	3708465	Sliding Plate	Glidplatta	1	
425	3704912	Tap Rol Bearing	Kon rullager	1	
426	3704888	Spacer Washer	Distansbricka	1	
427	914454	Retaining Ring	Spärring	1	
428	3705177	Hex Socket Screw	Insexskruv	1	
429	946779	Cap Plug	Hattplugg	1	
433	3704913	Disc Spring	Tallriksfjäder	1	
440	3707197	Piston Assy	Kolv kpl	9	
452	3787126	Ring Gear	Kuggkrans	1	
460	3787276	Tap Rol Bearing	Kon rullager	1	
464	3787127	Spacer Ring	Distansring	1	
470	3704905	Tap Rol Bearing	Kon rullager	1	
474	907034	Lock Washer	Låsbricka	2	
475	906644	Round Nut	Rundmutter	1	
481	3787170	Barrel Housing	Trumhus	1	
488	3794781	Shim	Justerbricka	2	0,2
488	3794782	Shim	Justerbricka	2	0,4
488	3794783	Shim	Justerbricka	2	0,6
488	3794784	Shim	Justerbricka	2	0,8
488	3794785	Shim	Justerbricka	2	1,0
491	959284	Hex Socket Screw	Insexskruv	4	
493	3705361	Hex Socket Screw	Insexskruv	3	12.9

To fit	Part No	Title	Benämning	Type	Remarks
F12-030 type V	3793493	Sealing Kit	Tätningssats	Viton	Repl. type H, E
F12-030 type N	3785132	Sealing Kit	Tätningssats	Nitril	
F12-040 type V	3793495	Sealing Kit	Tätningssats	Viton	Repl. type H, E
F12-040 type N	3785133	Sealing Kit	Tätningssats	Nitril	
F12-060 type V	3793497	Sealing Kit	Tätningssats	Viton	Repl. type H, E
F12-060 type N	3785135	Sealing Kit	Tätningssats	Nitril	
F12-080 type V	3793499	Sealing Kit	Tätningssats	Viton	Repl. type H, E
F12-080 type N	3785136	Sealing Kit	Tätningssats	Nitril	
F12-090 type V	3793499	Sealing Kit	Tätningssats	Viton	Repl. type H, E
F12-090 type N	3785136	Sealing Kit	Tätningssats	Nitril	
F12-110 type V	3798092	Sealing Kit	Tätningssats	Viton	Repl. type H, E
F12-110 type N	3785137	Sealing Kit	Tätningssats	Nitril	
F12-125 type V	3798092	Sealing Kit	Tätningssats	Viton	Repl. type H, E
F12-125 type N	3785137	Sealing Kit	Tätningssats	Nitril	
F12-150 type V	3797125	Sealing Kit	Tätningssats	Viton	
F12-150 type N	3797117	Sealing Kit	Tätningssats	Nitril	
F12-250 type V	3797126	Sealing Kit	Tätningssats	Viton	

The Kits comprise items 221, 225, 229 and 233.

For F12-150 items 221, 222, 233 and 236 are included.

For F12-250 items 222, 223, 224, 233, 236, 428 and 429 are included.

To fit	Part No	Title	Benämning
F12-030 Type M	3787797	Spare Parts Kit	Reservdelssats
F12-040 Type M	3787798	Spare Parts Kit	Reservdelssats
F12-060 Type M	3787799	Spare Parts Kit	Reservdelssats
F12-080 Type M	3787800	Spare Parts Kit	Reservdelssats
F12-090 Type M	3787801	Spare Parts Kit	Reservdelssats
F12-110 Type M	3787802	Spare Parts Kit	Reservdelssats
F12-125 Type M	3787803	Spare Parts Kit	Reservdelssats
F12-150 Type M	3787745	Spare Parts Kit	Reservdelssats

The Kits comprise items 121, 411 and 440. Item 415 is included in the spare parts kit for F12-110/125/150. If more parts are required it is normally not profitable to carry out a repair.



Parker Hannifin  
Pump and Motor Division  
Flygmotorvägen 2  
SE-461 82 Trollhättan  
Sweden  
Tel: +46 (0)520 40 45 00  
Fax: +46 (0)520 371 05  
[www.parker.com](http://www.parker.com)