

# DC Servo Drive - RTS Series

## Overview

### Description

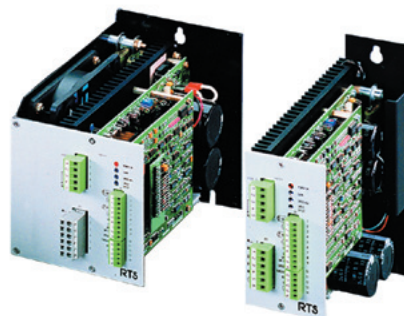
The RTS servo amplifiers are designed for driving DC servo motors and are available in ratings up to 6.5 kW.

These products enable speed control of DC motors with or without tachometers.

They integrate main supply, auxiliary supply and braking resistor circuits in a compact package.

### Features

- Battery, single-phase or three-phase power supply
- U-RI or tachometer control
- Integrated braking resistor
- Full protecting features
- High compactness
- Panel or rack mounting
- 3U Eurocard



### Technical Characteristics - Overview

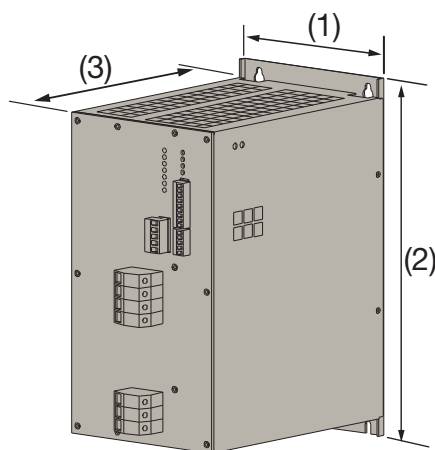
<b>Power supply</b>	Single phase, three phase or battery
<b>Nominal current</b>	3...40 A
<b>Peak current</b>	10...80 A
<b>Operating Temperature</b>	0...40 °C (derate by 35 % per 10 °C >40 °C to 60 °C max.)
<b>Altitude</b>	1000 m (derate by 10 % >1000 m per 1000 m to 4000 m max.)
<b>Protection</b>	IP00, IP20 for versions with covering cap

## Technical Data

Product type	Power supply input [V..]	Output current (nominal/peak) [A]	Nominal output voltage [VDC]	Associated transformer (minimum power)
<b>Panel mounting</b>				
RTS 71 04- 301	32 VAC 1 ph. ±10 %	3/10	40	TT_11133
RTS 71 060 102R	48 VAC 1 ph. ±10 %	10/20	60	TT-11135
RTS 71 130 102R	100 VAC 1 ph. ±10 %	12/24	130	TT_11147
RTS 73 060 102R	48 VAC 3 ph. ±10 %	10/20	60	TT-11136
RTS 73 130 102R	100 VAC 3 ph. ±10 %	12/24	130	TT_11145
RTS 73 130 204R	100 VAC 3 ph. ±10 %	20/40	130	TT_11140
RTS 73 190 103R	135 VAC 3 ph. ±10 %	16/32	190	TT_11117
RTS 73 200 408R	150 VAC 3 ph. ±10 %	40/80	200	TT_11119
RTS 42 BA0 102	24-48 VDC battery	12/24	Ubatt-2	
RTS P2 BA0 204	24-48 VDC battery	20/40	Ubatt-2	
RTS 72 BA0 408	36-72 VDC battery	40/80	Ubatt-2	
<b>Rack Mounting</b>				
RTS 61 04- 301	32 VAC 1 ph. ±10 %	3/10	40	TT_11133
RTS 63 060 102R	48 VAC 3 ph. ±10 %	10/20	60	TT_11136
RTS 63 130 102R	100 VAC 3 ph. ±10 %	12/24	130	TT_11145
RTS 42 BA0 102	24-48 VDC battery	12/24	Ubatt-2	

All the RTS servo amplifiers are supplied with a RZ6602 setting board.

## Dimensions



Product type / size	Height (2) [mm]	Width (1) [mm]	Depth (3) [mm]	Weight [kg]
<b>Panel mounting</b>				
RTS 71 04- 301	150	65	212	1
RTS 71 060 102R	180	65	212	1.1
RTS 71 130 102R	180	95	212	1.9
RTS 73 060 102R	149	65	212	1
RTS 73 130 102R	149	95	212	1.5
RTS 73 130 204R	149	121	221	1.9
RTS 73 190 103R	149	121	212	1.9
RTS 73 200 408R	275	139	229	6
RTS 42 BA0 102	149	65	212	1
RTS P2 BA0 204	149	65	212	1.5
RTS 72 BA0 408	275	70	229	2.5
<b>Rack mounting</b>				
RTS 61 04- 301	128.4	60.6	215	0.9
RTS 63 060 102R	128.4	60.6	215	0.9
RTS 63 130 102R	128.4	60.6	215	0.9
RTS 42 BA0 102	128.4	50.4	215	0.85

## Accessories

Accessories	Description
TT_11133	0.12 kVA transformer 230/400 VAC primary 32 VAC 1 ph. ± 5 % secondary
TT_11134	0.63 kVA transformer 230/400 VAC primary 32 VAC 1 ph. ± 5 % secondary
TT_11135	0.63 kVA transformer 230/400 VAC primary 48 VAC 1 ph. ± 5 % secondary
TT_11136	0.5 kVA transformer 230/400 VAC primary 48 VAC 3 ph. ± 5 % secondary
TT_11137	1.6 kVA transformer 230/400 VAC primary 48 VAC 3 ph. ± 5 % secondary
TT_11138	2.5 kVA transformer 230/400 VAC primary 48 VAC 3 ph. ± 5 % secondary
TT_11147	1.6 kVA transformer 230/400 VAC primary 100 VAC 3ph. ± 5 % secondary
TT_11144	0.63 kVA transformer 230/400 VAC primary 100 VAC ± 5 % secondary
TT_11145	1 kVA transformer 230/400 VAC primary 100 VAC 3 ph. ± 5 % secondary
TT_11139	1.6 kVA transformer 230/400 VAC primary 100 VAC 3 ph. ± 5 % secondary
TT_11140	2.5 kVA transformer 230/400 VAC primary 100 VAC + 48 VAC 3 ph. ± 5 % secondary
TT_11141	4 kVA transformer 230/400 VAC primary 100 VAC + 48 VAC 3 ph. ± 5 % secondary
TT_11115	1 kVA transformer 230/400 VAC primary 135 VAC 3 ph. ± 5 % secondary
TT_11116	1.6 kVA transformer 230/400 VAC primary 135 VAC 3 ph. ± 5 % secondary
TT_11117	2.5 kVA transformer 230/400 VAC primary 135 VAC 3 ph. ± 5 % secondary
TT_11118	4 kVA transformer 230/400 VAC primary 135 VAC 3 ph. ± 5 % secondary
TT_11119	6.3 kVA transformer 230/400 VAC primary 135 VAC 3 ph. ± 5 % secondary
TT_11120	10 kVA transformer 230/400 VAC primary 135 VAC 3 ph. ± 5 % secondary
CZ463068	56 Ω 200 W Brake Resistor FC - one per phase - to be added with 10 kVA transformer
TP_83131	Cover for RTS 16/32 A & 20/40 A
TP_83132	Cover for RTS 3/10 A & 10/20 A - 60 VDC Three phase & 12/24 A battery
TP_83133	Cover for RTS 12/24 A - 130 VDC Three phase
TP_83138	Cover for RTS 10/20 A - 60 VDC Single phase
TP_83140	Cover for RTS 12/24 A - 130 VDC Single phase
RACE234	Rack RTS 3 U - 1 to 4 axis
RACE234V	22 Rack RTS 3 U - 1 to 4 axis with ventilation
RACE238	Rack RTS 3 U - 1 to 8 axis
RACE238V	32 Rack RTS 3 U - 1 to 8 axis with ventilation
TL_84032	Cover for rack RTS 81 mm
TL_84045	Cover for rack RTS 51 mm
RG_6601	Acceleration / deceleration board
RG_6602	Acceleration / deceleration board for RTS 40/80 A
SF_02022	Choke for RTS - 16 A - 2.5 mH (recommended for cables > 40 m)
SF_02023	Choke for RTS - 25 A - 1.5 mH (recommended for cables > 40 m)
SF_02024	Choke for RTS - 40 A - 1.25 mH (recommended for cables > 40 m)
SF_02031	Choke for RTS - 12 A - 1 mH (recommended for cables > 40 m)
FR_13020	20 A 1 ph. / 3 ph. input main filter

## Order Code

### DC Servo Drive - RTS

	1	2	3	4	5
Order example	<b>RTS</b>	<b>71</b>	<b>060</b>	<b>102</b>	<b>R</b>

<b>1 Type</b>	<b>RTS</b>	DC Servo Drive
<b>2 Mounting type / power supply</b>	71	
	73	see table "Technical Data"
	42	
	...	
<b>3 Output voltage</b>	40	
	60	see table "Technical Data"
	130	
	...	
<b>4 Output current</b>	102	see table "Technical Data"
<b>5 Brake resistance</b>	R	see table "Technical Data"