

## Create a Part Number

### Specifications:

Height: 7.82" (198.6 mm)

Width: 3.83" (97.3 mm) at bracket;  
6.14 (155.9 mm) at fuel ports;  
8.30 (210.7 mm) at fuel ports with  
straight fittings

Depth: 4.09" (103.9 mm)

Ports: 3/8" (9.5 mm) per SAE J2044

Fittings: 3/8" (9.5 mm) Straight quick connect  
per SAE J2044 - additional fittings  
available - See parts chart on back

Service Clearance: 2.50" (63.5 mm)

Rated Pressure: 50 psi (3.5 bar)

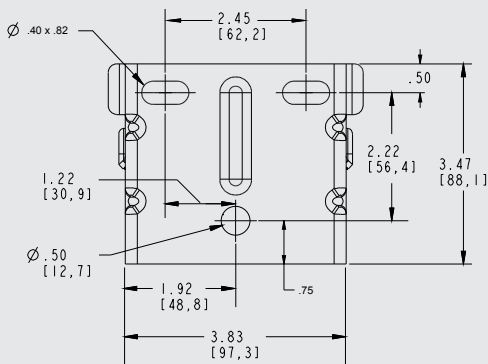
Water Sump Capacity: 3.4 oz (100 ml)

Fuel Type: Diesel (up to B20) or  
Gasoline (up to E10)

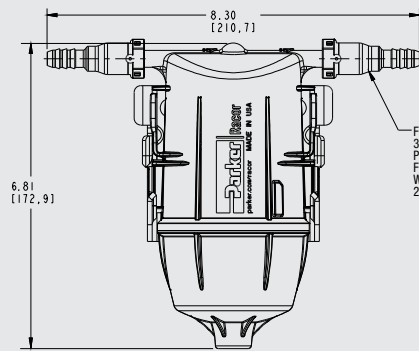
Flow Rate: Up to 40 gph (gasoline/2 micron)

Filter Type	Filter/Bracket/Fittings Replacement Filter/ Priming Tube	Color	Bowl Type		Micron
			Black Body	White Body	
23		1			-02 -10 -30
23			2		-02 -10 -30
	R23	1		07	-02 -10 -30
	R23		2	98 80	-02 -10 -30

### Mounting Information:



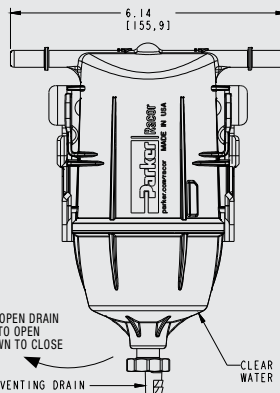
### Dimensions:



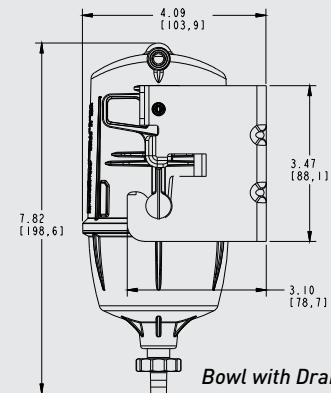
Closed Bowl Assembly

FUEL CONNECTIONS:  
3/8 QUICK CONNECT  
PER SAE J2044  
FITTINGS INCLUDED  
WITH 23106, 23281 AND  
23299 ASSEMBLIES

TURN TO LEFT TO OPEN DRAIN  
DRAIN MOVES UP TO OPEN  
DRAIN MOVES DOWN TO CLOSE



SELF VENTING DRAIN CLEAR BOWL FOR WATER LEVEL VISUAL



Bowl with Drain

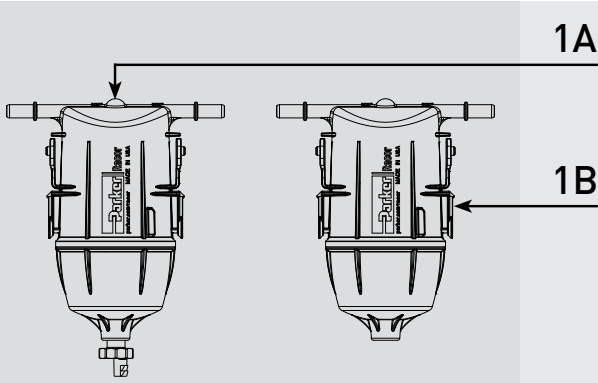
ASSEMBLY	DESCRIPTION
23106-02	Black Body/Coated Steel Bracket/Bowl Drain/(2) 3/8" Straight Quick Connect Fittings - 2 micron
23106-10	Black Body/Coated Steel Bracket/Bowl Drain/(2) 3/8" Straight Quick Connect Fittings - 10 micron
23106-30	Black Body/Coated Steel Bracket/Bowl Drain/(2) 3/8" Straight Quick Connect Fittings - 30 micron
23299-02	White Body/Stainless Steel Bracket/Bowl Drain/(2) 3/8" Straight Quick Connect Fittings - 2 micron
23299-10	White Body/Stainless Steel Bracket/Bowl Drain/(2) 3/8" Straight Quick Connect Fittings - 10 micron
23299-30	White Body/Stainless Steel Bracket/Bowl Drain/(2) 3/8" Straight Quick Connect Fittings - 30 micron
23281-02	White Body/Stainless Steel Bracket/Closed Bowl/(2) 3/8" Straight Quick Connect Fittings - 2 micron
23281-10	White Body/Stainless Steel Bracket/Closed Bowl/(2) 3/8" Straight Quick Connect Fittings - 10 micron
23281-30	White Body/Stainless Steel Bracket/Closed Bowl/(2) 3/8" Straight Quick Connect Fittings - 30 micron
R23107-02	Replacement Filter - Black Body/Priming Tube - 2 micron
R23107-10	Replacement Filter - Black Body/Priming Tube - 10 micron
R23107-30	Replacement Filter - Black Body/Priming Tube - 30 micron
R23298-02	Replacement Filter - White Body/Priming Tube - 2 micron
R23298-10	Replacement Filter - White Body/Priming Tube - 10 micron
R23298-30	Replacement Filter - White Body/Priming Tube - 30 micron
R23280-02	Replacement Filter - White Body/Closed Bowl/Priming Tube - 2 micron
R23280-10	Replacement Filter - White Body/Closed Bowl/Priming Tube - 10 micron
R23280-30	Replacement Filter - White Body/Closed Bowl/Priming Tube - 30 micron



# PARTS

# SNAPP Series

1

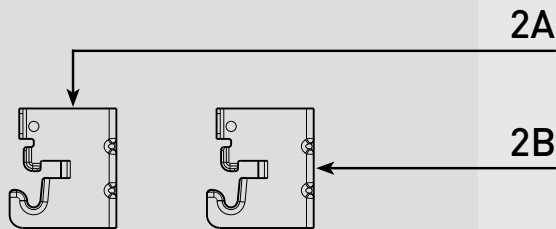


1A

1B

Part #	Description
1A	See Front - Build a Part Number SNAPP Fuel Filter with Drain - Available in 23106, 23299, R23107, R23298 Assemblies
1B	See Front - Build a Part Number SNAPP Fuel Filter Closed Bowl (No Drain) - Available in 23281, R23280 Assemblies

2

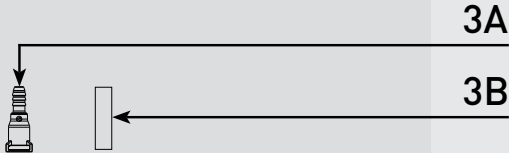


2A

2B

2A	N/A	SNAPP Bracket - Powder Coated Steel - Included with all 23106 Assemblies
2B	N/A	SNAPP Bracket - Stainless Steel - Included with all 23299 and 23281 Assemblies

3

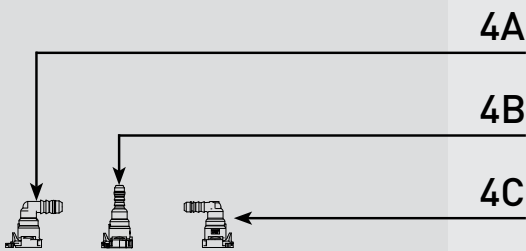


3A

3B

3A	N/A	3/8" Quick Connect Straight Fitting - (2) Included with all 23106, 23299, and 23281 Assemblies
3B	N/A	3/8" Priming Tube - Included with all R23107, R23298, and R23280 Assemblies

4



4A

4B

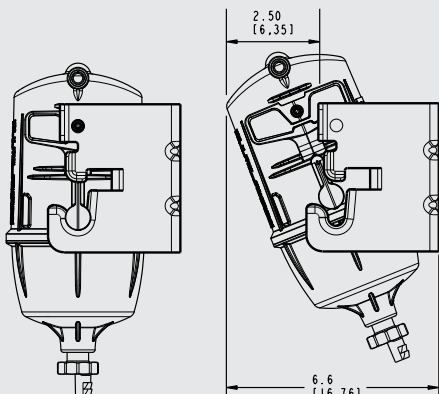
4C

4A	RK23319	3/8" Quick Connect Locking 90° Degree Fitting - 2 Pack
4B	RK23320	5/16" Quick Connect Locking Straight Fitting - 2 Pack
4C	RK23321	5/16" Quick Connect Locking 90° Degree Fitting - 2 Pack

### Fuel Flow Information:

ASSEMBLY	With Gasoline	With Diesel
23106-02	Max Flow 40 GPH (151.4 LPH)	
23106-10	Max Flow 34 GPH (128.7 LPH)	
23106-30	Max Flow 26 GPH (98.4 LPH)	
23299-02	Max Flow 40 GPH (151.4 LPH)	
23299-10	Max Flow 34 GPH (128.7 LPH)	
23299-30	Max Flow 26 GPH (98.4 LPH)	
23281-02	Max Flow 40 GPH (151.4 LPH)	
23281-10	Max Flow 34 GPH (128.7 LPH)	
23281-30	Max Flow 26 GPH (98.4 LPH)	
R23107-02	Max Flow 40 GPH (151.4 LPH)	Max Flow 26 GPH (98.4 LPH)
R23107-10	Max Flow 34 GPH (128.7 LPH)	
R23107-30	Max Flow 26 GPH (98.4 LPH)	
R23298-02	Max Flow 40 GPH (151.4 LPH)	
R23298-10	Max Flow 34 GPH (128.7 LPH)	
R23298-30	Max Flow 26 GPH (98.4 LPH)	
R23280-02	Max Flow 40 GPH (151.4 LPH)	
R23280-10	Max Flow 34 GPH (128.7 LPH)	
R23280-30	Max Flow 26 GPH (98.4 LPH)	

### Service Clearance Required:



### Fuel Capabilities:



### Marine Applications:



RSL0282\_CUT\_SNAPP (03/16 Rev -)

Questions? Email: [racortech@parker.com](mailto:racortech@parker.com) Phone: 800-344-3286 News: [www.racornews.com](http://www.racornews.com)

[www.comoso.com](http://www.comoso.com)