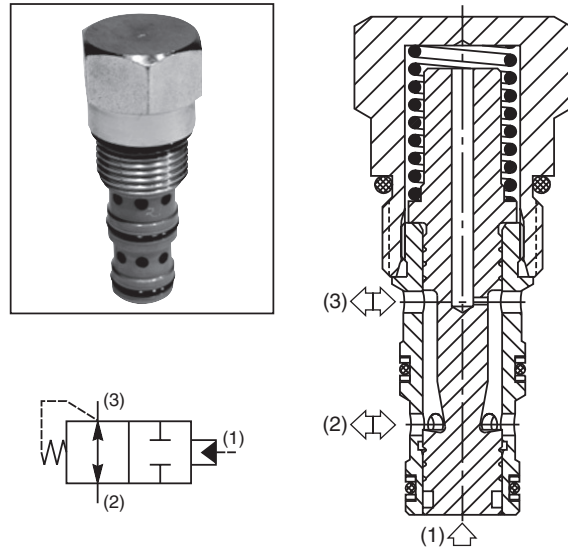


**General Description**

Diverter Valve, Normally Open, Pilot to Close Vent and Pressure Compensating Flow Control Element.

**Features**

- Two switching and one compensating spring available
- Very accurate flow regulation when used with separate orifice
- Sealed pilot option available
- Industry common cavity
- Hardened working parts for maximum durability
- All external parts zinc plated

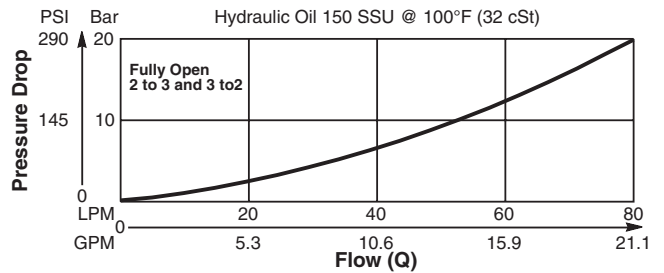


**Specifications**

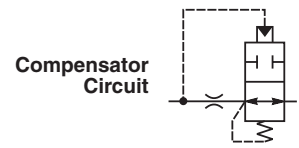
<b>Rated Flow</b>	80 LPM (21 GPM)
<b>Nominal Flow @ 7 Bar (100 PSI)</b>	<b>Diverter</b> - 40 LPM (10 GPM) <b>Compensator</b> - See Application
<b>Maximum Inlet Pressure</b>	420 Bar (6000 PSI)
<b>Pilot Switching Pressure</b>	See ordering information
<b>Cartridge Material</b>	All parts steel. All operating parts hardened steel.
<b>Operating Temp. Range/Seals</b>	-40°C to +93.3°C (Nitrile, Buna-N) (-40°F to +200°F) -31.7°C to +121.1°C (Fluorocarbon) (-25°F to +250°F)
<b>Fluid Compatibility/Viscosity</b>	Mineral-based or synthetic with lubricating properties at viscosities of 45 to 2000 SSU (6 to 420 cSt)
<b>Filtration</b>	ISO code 16/13, SAE Class 4 or better
<b>Approx. Weight</b>	.15 kg (.33 lbs.)
<b>Cavity</b>	C10-3 (See BC Section for more details)

**Performance Curve**

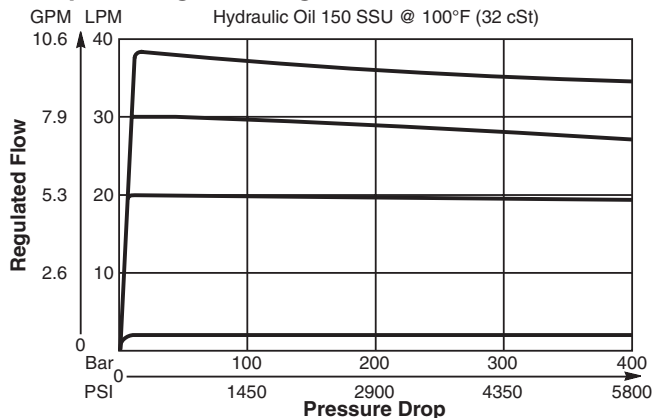
**Diverting Pressure Drop (Through cartridge only)**



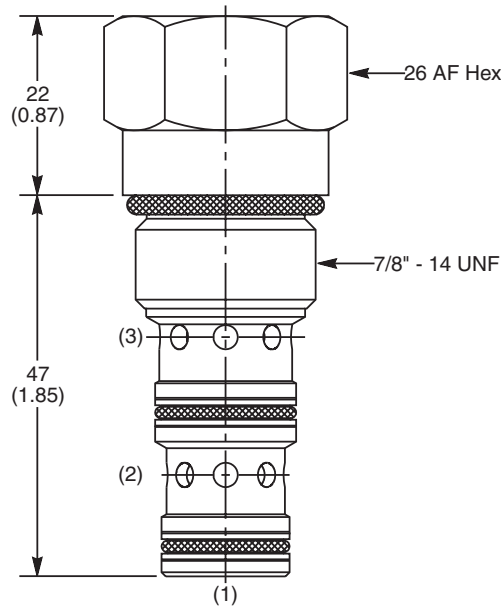
**Application**



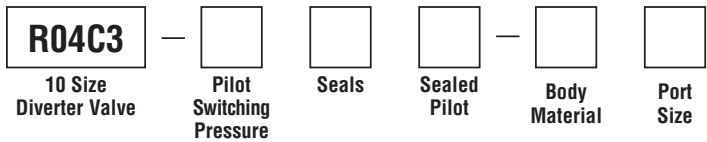
**Compensating Flow Regulation Performance 3 to 2**



**Dimensions** Millimeters (Inches)



**Ordering Information**



Code	Switching Pressure
<b>For Switching</b>	
5.0	5.0 Bar (73 PSI) Std.
10.0	10.0 Bar (145 PSI)
<b>For Flow Regulation</b>	
7.7	7.7 Bar (112 PSI)

*If no switching pressure is specified, valve will be supplied as R04C3-5.0N*

Code	Sealed Pilot
Omit	If not required
S	Sealed Pilot

Code	Body Material
Omit	Steel
A	Aluminum

Code	Port Size	Body Part No.
Omit	Cartridge Only	
4P	1/4" NPTF	(B10-3-*4P)
6P	3/8" NPTF	(B10-3-*6P)
8P	1/2" NPTF	(B10-3-*8P)
6T	SAE-6	(B10-3-*6T)
8T	SAE-8	(B10-3-*8T)
6B	3/8" BSPG	(B10-3-6B)†
8B	1/2" BSPG	(B10-3-*8B)

\* Add "A" for aluminum, omit for steel.  
† Steel bodies only.

Code	Seals / Kit No.
N	Nitrile, Buna-N / (SK30505N-1)
V	Fluorocarbon / (SK30505V-1)

