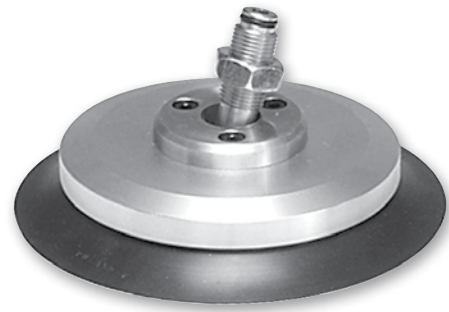


30° inclusive swivel, single lip cup for smooth, slightly curved surfaces and flexible products. Rigid construction provides good stability against acceleration and deceleration forces during product transfer.

The single edge swivel cup is for smooth surfaces with slightly curved surfaces or flexible sheets with substantial weights. Typically, lift capacities and break away forces are higher for flat cups which may be necessary for good stability during lift and transfer. The position of the internal swivel joint minimizes moments during lift and transfer. The swivel joint compensates for load and angular misalignment instead of the cup material, prolonging cup life. Maintenance costs are minimized by replacing only the cup portion of the assembly.



Features

- Internal swivel joint design
- 30° Inclusive angle for flexible products
- Increased stability for horizontal lifts
- Lower maintenance costs
- 60mm to 100mm diameters

Styles

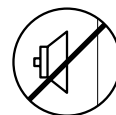
- PUTK series barbed bulkhead
- PUTYS series bulkhead level compensator

Specifications

Suction cup material	Nitrile (NBR)	Silicon (SI)
Operating temperature (°C)	-20° to +120°	-60° to +250°
Color	Black	White
Hardness, shore A (°Sh)	55 ±5	55 ±5

Application guide

Swivel Bellows



Flat surface, thin section

Flat surface, any section

Slightly bowed surface, thin section

Slightly bowed surface, any section

Metal sheet handling

Not for vertical lift

C
 Vacuum Cups
 Vacuum Products
 PFG Series
 PBG Series
 PSV-CFS Series
 PJG Series
 PCG Series
 PUGB Series

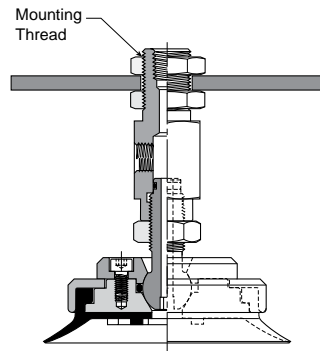
PUTK Series Barbed Bulkhead

Top stem connectors secured with jam nuts and allow tubing connections at the top side. Fitting material: nickel plated brass.

Installation

Note:

When installing cup assemblies, use a sealant material to secure the assembly and prevent vacuum leakage.



Cup size	Vacum port	Cup material Nitrile assembly (NBR)	Replacement PUGB swivel with cup only	Replacement cup only (NBR)	Cup fitting
60	1/8 NPT	PUTK-60-NBR-N1	PUGB-60-NBR	PUG-60-NBR	UTK-60-N1
80	1/8 NPT	PUTK-80-NBR-N1	PUGB-80-NBR	PUG-80-NBR	UTK-60-N1
100	1/8 NPT	PUTK-100-NBR-N1	PUGB-100-NBR	PUG-100-NBR	UTK-60-N1

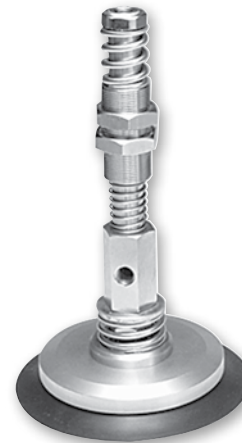
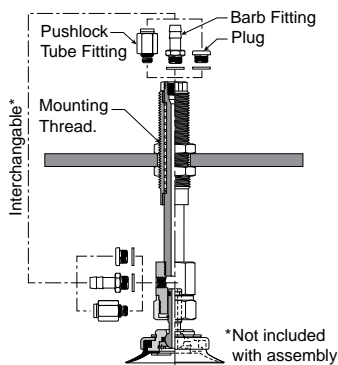
PUTYS Series Bulkhead Level Compensator

303 stainless steel construction secured with jam nuts. Spring biased compensators can absorb impacts of down-strokes and adjust for different levels of pick up points. 303 stainless corrosion resistant materials with drymet bushings increases the strength and life.

Installation

Note:

When installing cup assemblies, use a sealant material to secure the assembly and prevent vacuum leakage. Shown are interchangeable connectors & plugs for port connections.



Cup diameter (mm)	Vacum port	Stroke (mm)	Spring compression Force lbf (N)		PUTYS assembly (NBR)	Replacement PUGB swivel with cup only	Replacement cup only NBR	Level compensator P/N
			0%	100%				
60	1/8 NPT	30	1.6 (6.8)	3.6 (15.6)	PUTYS6030NBRN1	PUGB-60-NBR	PUG-60-NBR	UTYS-60-30
60	1/8 NPT	50	1.9 (8.3)	4.5 (19.6)	PUTYS6050NBRN1	PUGB-60-NBR	PUG-60-NBR	UTYS-60-50
80	1/8 NPT	30	1.6 (6.8)	3.6 (15.6)	PUTYS8030NBRN1	PUGB-80-NBR	PUG-80-NBR	UTYS-60-30
80	1/8 NPT	50	1.9 (8.3)	4.5 (19.6)	PUTYS8050NBRN1	PUGB-80-NBR	PUG-80-NBR	UTYS-60-50
100	1/8 NPT	30	1.6 (6.8)	3.6 (15.6)	PUTYS10030NBRN1	PUGB-100-NBR	PUG-100-NBR	UTYS-60-30
100	1/8 NPT	50	1.9 (8.3)	4.5 (19.6)	PUTYS10050NBRN1	PUGB-100-NBR	PUG-100-NBR	UTYS-60-50

Most popular.

C

Vacuum Cups
Vacuum Products

PFG Series

PBG Series

P5V-CFS Series

PVG Series

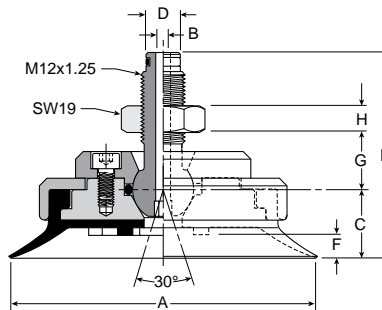
PCG Series

PUGB Series



PUGB Series Barbed Bulkhead Dimensions

**PUGB-60 thru
PUGB-100**



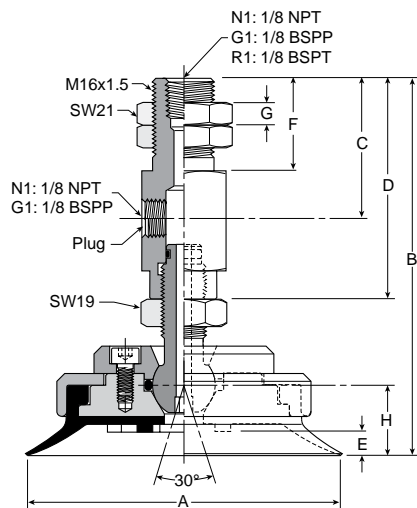
Model number	ØA	ØB	C	ØD	E	F	G	H
PUGB-60-*	2.36 (60)	.15 (3.9)	.63 (16)	.35 (9)	2.05 (52)	.20 (5)	.59 (15)	.28 (7)
PUGB-80-*	3.15 (80)	.15 (3.9)	.71 (18)	.35 (9)	2.13 (54)	.24 (6)	.59 (15)	.28 (7)
PUGB-100-*	3.94 (100)	.15 (3.9)	.71 (18)	.35 (9)	2.13 (54)	.24 (6)	.59 (15)	.28 (7)

Inches (mm)
* Cup material

C
Vacuum Cups
Vacuum Products
Series
PFG
Series
PBG
Series
PSV-CFS
Series
PJG
Series
PCG
Series
PUGB
Series

PUTK Series Barbed Bulkhead Dimensions

**PUTK-60 thru
PUTK-100**



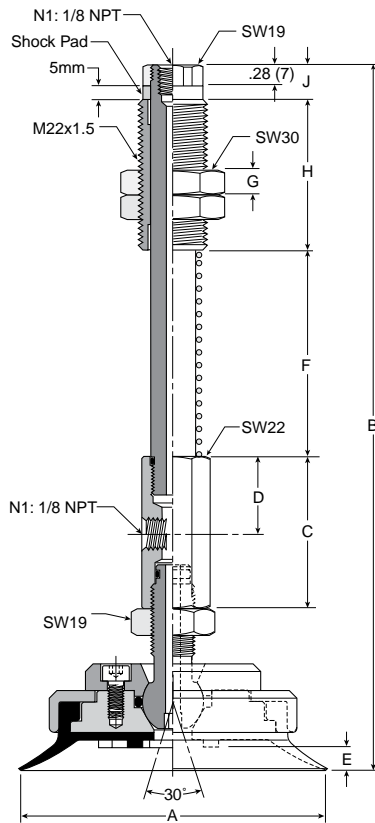
Model number	ØA	B	C	D	E	F	G	H	Wt oz (g)
PUTK-60-*	2.36 (60)	3.66 (93)	.63 (16)	1.89 (48)	.20 (5)	.91 (23)	.24 (6)	.63 (16)	12.4 (352)
PUTK-80-*	3.15 (80)	3.74 (95)	1.38 (35)	2.16 (55)	.24 (6)	.91 (23)	.24 (6)	.71 (18)	15.7 (444)
PUTK-100-*	3.94 (100)	3.74 (95)	1.38 (35)	2.16 (55)	.24 (6)	.91 (23)	.24 (6)	.71 (18)	20.0 (568)

Inches (mm)
* Cup material



Dimensions

**PUTYS60 thru
 PUTYS100**



Model number	ØA	B	C	D	E	F	G	H	J	Wt oz (g)
PUTYS6030*	2.36 (60)	7.28 (185)	1.57 (40)	.79 (20)	.20 (5)	1.77 (45)	.39 (10)	1.97 (50)	.47 (12)	17.2 (487)
PUTYS6050*	2.36 (60)	8.27 (210)	1.57 (40)	.79 (20)	.20 (5)	2.76 (70)	.39 (10)	1.97 (50)	.47 (12)	18.4 (521)
PUTYS8030*	3.15 (80)	7.36 (187)	1.57 (40)	.79 (20)	.24 (6)	1.77 (45)	.39 (10)	1.97 (50)	.47 (12)	19.7 (559)
PUTYS8050*	3.15 (80)	8.35 (212)	1.57 (40)	.79 (20)	.24 (6)	2.76 (70)	.39 (10)	1.97 (50)	.47 (12)	20.1 (595)
PUTYS10030*	1.18 (30)	7.36 (187)	1.57 (40)	.79 (20)	.24 (6)	1.77 (45)	.39 (10)	1.97 (50)	.47 (12)	25.7 (729)
PUTYS10050*	1.18 (30)	8.35 (212)	1.57 (40)	.79 (20)	.24 (6)	2.76 (70)	.39 (10)	1.97 (50)	.47 (12)	26.7 (756)

Inches (mm)
 * Cup material

C
 Vacuum Cups
 Vacuum Products

PFG Series

PBG Series

P5V-CFS Series

PJG Series

PCG Series

PUGB Series

