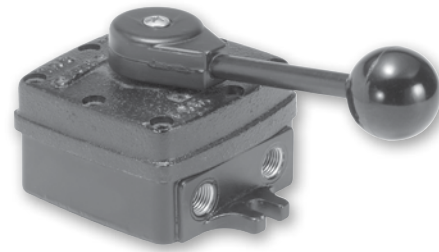


These are 4-Way, 3-Position, rotary disc, direct-operated air valves. Two different types of control are offered. The forged bronze disc and the cast iron surface upon which the disc works are ground and lapped to provide a leak-proof seal. Air pressure from the inlet port is confined beneath the disc, making the seal tighter as the pressure increases, yet friction between the lapped surfaces is so low that only 15 pounds of force is required to move the lever at 100 PSI line pressure. The need for packing to seal around the stem is eliminated.

Valve can be furnished for gasketing to a manifold on customer's machine or with an adaptor for tapped bottom porting.

Valves are detented.

Operating handles may be installed in any of four positions.



Operating information

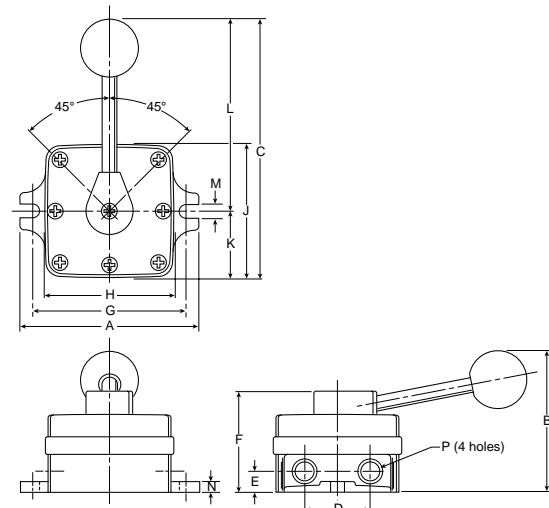
Operating pressure: 0 to 150 PSI (0 to 1035 kPa)
 Temperature range: 18°F to 200°F (-8°C to 93°C)
 Lubrication: Filtered and lubricated air recommended for maximum valve life and minimum maintenance.

PL-VL Series Valves

Symbol	Port Size	Description	Cv	Part number
	1/4" NPT	4-way, 3-position, detent, closed center	2.5	PL25
	3/8" NPT	4-way, 3-position, detent, closed center	3.0	PL37
	1/2" NPT	4-way, 3-position, detent, closed center	6.2	PL50
	1/4" NPT	4-way, 3-position, detent, exhaust center	2.5	VL25
	3/8" NPT	4-way, 3-position, detent, exhaust center	3.0	VL37
	1/2" NPT	4-way, 3-position, detent, exhaust center	6.2	VL50

Service kits

Description	Valve size	Part number
Lever assembly service kits	PL25, PL25HP, PL37, PL37HP, VL25, & VL37	PL2425BP
	PL50, PL50HP & VL50	PL2424BP
Body gasket	PL25, PL25HP, PL37, PL37HP, VL25, & VL37	P66837
	PL50, PL50HP & VL50	P66829



PL-VL Dimensions

	A	B	C	D	E	F	G	H	J	K	L	M	N	P
PL-25	4.75	3.81	6.81	1.69	.56	2.75	4.12	3.50	3.50	1.69	5.06	.34	.28	1/4
VL-25	(121)	(97)	(173)	(43)	(14)	(70)	(105)	(89)	(89)	(43)	(129)	(9)	(7)	NPT
PL-37	4.75	3.81	6.81	1.69	.56	.56	4.12	3.50	3.50	1.69	5.06	.34	.28	3/8
VL-37	(121)	(97)	(173)	(43)	(14)	(14)	(105)	(89)	(89)	(43)	(129)	(9)	(7)	NPT
PL-50	5.62	4.44	8.94	2.12	.66	3.25	5.00	4.38	4.38	2.12	6.75	.34	.34	1/2
VL-50	(143)	(113)	(227)	(54)	(17)	(83)	(127)	(111)	(111)	(54)	(171)	(9)	(9)	NPT

inches (mm)

Most popular. For technical information see CD



Brass Poppet / Sliding Seal
 LV-EZ Series Lockout Valves
 M0 Series
 Viking Xtreme Lever Series
 42 Lever / Pedal Series
 Directair 2, Directair 4
D
 Manual / Mechanical Valve Products