

Exceptional for any smooth flat or surface that will benefit from stability and fast response of the cup design. This is a multi-versatile and multi-industry cup. Typical applications could be chip mounting, electrical components, semiconductor chips, glass, injection mold, sheet metal, press transfer, fixtures, woodworking.

**Features**

- Precision molded single lip flat cup for smooth or slightly curved surfaces.
- Universal flat design for most smooth surface applications
- Stable vertical / horizontal lift
- Strong low profile design for fast response needed for short cycles
- 5mm to 200mm diameters
- Bottom cleats on 60 to 200mm diameters



**Styles**

- PFTM series male thread connector
- PFTF series female thread connector
- PFTK series barbed bulkhead
- PFYK series 90° barbed adapter
- PFTYS series bulkhead level compensator

**Specifications**

Cup material	Nitrile	Nitrile ESD*	Silicon	Silicon ESD*	Urethane
Material code	NBR	NBRE	SI	SIE	U
Operating temperature (°C)	-20° to +120°	0° to +60°	-60° to +250°	-10° to +130°	-20° to +75°
Color	Black	Black / Blue Dot	White	Black / Red Dot	Blue
Hardness, shore A (°Sh)	55 ±5	70 ±5	55 ±5	55 ±5	55 ±5
Electrical resistance (Ωm)	—	800 to 1000	—	5 to 15	—

\* ESD: Electric Static Dissipative Material

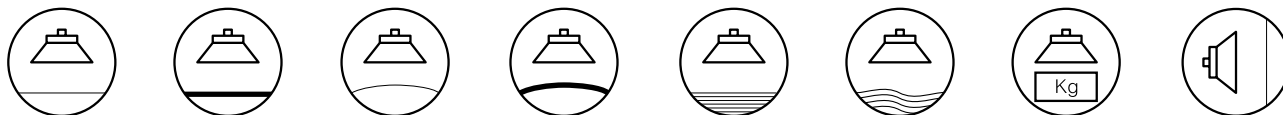
**How to order**

Cups assemblies and replacement cups are specified by cup diameter and material. Standard nitrile and silicon are listed on the following pages. To specify an alternative material, replace the cup material with alternative cup material code.

**Example:** To specify a cup assembly with urethane (U), replace (NBR) with (U) in the part number. PFTM-20B-NBR-G1 becomes PFTM-20B-U-G1. Inquire with factory for availability.

**Application guide**

**Flat - Smooth surface**



Ø 120/200 only

Flat surface, thin section	Flat surface, any section	Slightly bowed surface, thin section	Slightly bowed surface, any section	Metal sheet handling	Corrugated sheet handling	High lifting force	Vertical lift
----------------------------	---------------------------	--------------------------------------	-------------------------------------	----------------------	---------------------------	--------------------	---------------

**C**  
**Vacuum Cups**  
**Vacuum Products**  
**PFG Series**  
**PBG Series**  
**PSV-CFS Series**  
**PJG Series**  
**PCG Series**  
**PUGB Series**

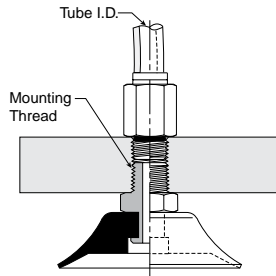


**PFTM Series Male Thread Connector**

Simple male connection for low profile positions secured to a plate or bracket. NPT, G, metric threads.  
 Fitting material: aluminum.

**Installation**

**Note:**  
 When installing cup assemblies, use a sealant material to secure the assembly and prevent vacuum leakage.



Cup diameter (mm)	Vacuum port	Complete assembly Nitrile (NBR)	Replacement cup Nitrile (NBR)	Complete assembly Silicon (SI)	Replacement cup Silicon (SI)	Replacement cup fitting
5	M5	PFTM-5A-NBR-M5	PFG-5A-NBR	PFTM-5A-SI-M5	PFG-5A-SI	FTM-5A-M5H
5	1/8 BSPP	PFTM-5A-NBR-G1	PFG-5A-NBR	PFTM-5A-SI-G1	PFG-5A-SI	FTM-5A-G1
6	M5	PFTM-6A-NBR-M5	PFG-6A-NBR	PFTM-6A-SI-M5	PFG-6A-SI	FTM-5A-M5H
6	1/8 BSPP	PFTM-6A-NBR-G1	PFG-6A-NBR	PFTM-6A-SI-G1	PFG-6A-SI	FTM-5A-G1
8	M5	PFTM-8A-NBR-M5	PFG-8A-NBR	PFTM-8A-SI-M5	PFG-8A-SI	FTM-5A-M5H
8	1/8 BSPP	PFTM-8A-NBR-G1	PFG-8A-NBR	PFTM-8A-SI-G1	PFG-8A-SI	FTM-5A-G1
10	M5	PFTM-10A-NBR-M5	PFG-10A-NBR	PFTM-10A-SI-M5	PFG-10A-SI	FTM-5A-M5H
10	1/8 BSPP	PFTM-10A-NBR-G1	PFG-10A-NBR	PFTM-10A-SI-G1	PFG-10A-SI	FTM-5A-G1
15	M5	PFTM-15A-NBR-M5	PFG-15A-NBR	PFTM-15A-SI-M5	PFG-15A-SI	FTM-5A-M5H
15	1/8 BSPP	PFTM-15A-NBR-G1	PFG-15A-NBR	PFTM-15A-SI-G1	PFG-15A-SI	FTM-5A-G1
20	1/8 BSPP	PFTM-20B-NBR-G1	PFG-20B-NBR	PFTM-20B-SI-G1	PFG-20B-SI	FTM-20B-G1H
20	1/4 BSPP	PFTM-20B-NBR-G2	PFG-20B-NBR	PFTM-20B-SI-G2	PFG-20B-SI	FTM-20B-G2
20	M10	PFTM-20B-NBR-M10	PFG-20B-NBR	PFTM-20B-SI-M10	PFG-20B-SI	FTM-20B-M10
20	1/8 NPT	PFTM-20B-NBR-N1	PFG-20B-NBR	PFTM-20B-SI-N1	PFG-20B-SI	FTM-20B-N1
30	1/8 BSPP	PFTM-30-NBR-G1	PFG-30-NBR	PFTM-30-SI-G1	PFG-30-SI	FTM-20B-G1H
30	1/4 BSPP	PFTM-30-NBR-G2	PFG-30-NBR	PFTM-30-SI-G2	PFG-30-SI	FTM-20B-G2
30	M10	PFTM-30-NBR-M10	PFG-30-NBR	PFTM-30-SI-M10	PFG-30-SI	FTM-20B-M10
30	1/8 NPT	PFTM-30-NBR-N1	PFG-30-NBR	PFTM-30-SI-N1	PFG-30-SI	FTM-20B-N1
40	1/8 BSPP	PFTM-40-NBR-G1	PFG-40-NBR	PFTM-40-SI-G1	PFG-40-SI	FTM-20B-G1H
40	1/4 BSPP	PFTM-40-NBR-G2	PFG-40-NBR	PFTM-40-SI-G2	PFG-40-SI	FTM-20B-G2
40	M10	PFTM-40-NBR-M10	PFG-40-NBR	PFTM-40-SI-M10	PFG-40-SI	FTM-20B-M10
40	1/8 NPT	PFTM-40-NBR-N1	PFG-40-NBR	PFTM-40-SI-N1	PFG-40-SI	FTM-20B-N1
50	1/8 BSPP	PFTM-50-NBR-G1	PFG-50-NBR	PFTM-50-SI-G1	PFG-50-SI	FTM-50-G1H
50	1/4 BSPP	PFTM-50-NBR-G2	PFG-50-NBR	PFTM-50-SI-G2	PFG-50-SI	FTM-50-G2
50	1/8 NPT	PFTM-50-NBR-N1	PFG-50-NBR	PFTM-50-SI-N1	PFG-50-SI	FTM-50-N1
60	1/4 BSPP	PFTM-60-NBR-G2	PFG-60-NBR	PFTM-60-SI-G2	PFG-60-SI	FTM-60-G2
60	M10	PFTM-60-NBR-M10	PFG-60-NBR	PFTM-60-SI-M10	PFG-60-SI	FTM-60-M10
60	1/4 NPT	PFTM-60-NBR-N2	PFG-60-NBR	PFTM-60-SI-N2	PFG-60-SI	FTM-60-N2
80	1/4 BSPP	PFTM-80-NBR-G2	PFG-80-NBR	PFTM-80-SI-G2	PFG-80-SI	FTM-60-G2
80	M10	PFTM-80-NBR-M10	PFG-80-NBR	PFTM-80-SI-M10	PFG-80-SI	FTM-60-M10
80	1/4 NPT	PFTM-80-NBR-N2	PFG-80-NBR	PFTM-80-SI-N2	PFG-80-SI	FTM-60-N2
95	1/4 BSPP	PFTM-95-NBR-G2	PFG-95-NBR	PFTM-95-SI-G2	PFG-95-SI	FTM-60-G2
95	M10	PFTM-95-NBR-M10	PFG-95-NBR	PFTM-95-SI-M10	PFG-95-SI	FTM-60-M10
95	1/4 NPT	PFTM-95-NBR-N2	PFG-95-NBR	PFTM-95-SI-N2	PFG-95-SI	FTM-60-N2

Most popular.

C	Vacuum Cups
	Vacuum Products
	PFG Series
	PBG Series
	P5V-CFS Series
	PJG Series
	PCG Series
	PUGB Series

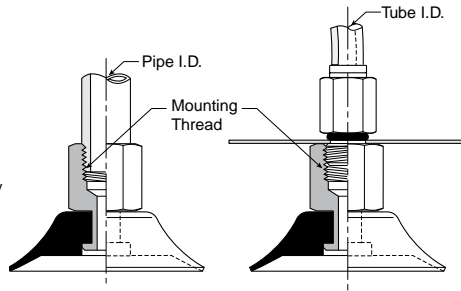


**PFTF Series Female Thread Connector**

Simple female connection for low profile positions secured to a plate or bracket. NPSF, G threads. Fitting material: aluminum.

**Installation**

**Note:**  
 When installing cup assemblies, use a sealant material to secure the assembly and prevent vacuum leakage.



Cup diameter (mm)	Vacuum port	Complete assembly Nitrile (NBR)	Replacement cup Nitrile (NBR)	Complete assembly Silicon (SI)	Replacement cup Silicon (SI)	Replacement cup fitting
5	M5	PFTF-5A-NBR-M5	PFG-5A-NBR	PFTF-5A-SI-M5	PFG-5A-SI	FTF-5A-M5
5	1/8 BSPP	PFTF-5A-NBR-G1	PFG-5A-NBR	PFTF-5A-SI-G1	PFG-5A-SI	FTF-5A-G1
6	M5	PFTF-6A-NBR-M5	PFG-6A-NBR	PFTF-6A-SI-M5	PFG-6A-SI	FTF-5A-M5
6	1/8 BSPP	PFTF-6A-NBR-G1	PFG-6A-NBR	PFTF-6A-SI-G1	PFG-6A-SI	FTF-5A-G1
8	M5	PFTF-8A-NBR-M5	PFG-8A-NBR	PFTF-8A-SI-M5	PFG-8A-SI	FTF-5A-M5
8	1/8 BSPP	PFTF-8A-NBR-G1	PFG-8A-NBR	PFTF-8A-SI-G1	PFG-8A-SI	FTF-5A-G1
10	1/8 BSPP	PFTF-10A-NBR-G1	PFG-10A-NBR	PFTF-10A-SI-G1	PFG-10A-SI	FTF-5A-G1
10	M5	PFTF-10A-NBR-M5	PFG-10A-NBR	PFTF-10A-SI-M5	PFG-10A-SI	FTF-5A-M5
15	1/8 BSPP	PFTF-15A-NBR-G1	PFG-15A-NBR	PFTF-15A-SI-G1	PFG-15A-SI	FTF-5A-G1
15	M5	PFTF-15A-NBR-M5	PFG-15A-NBR	PFTF-15A-SI-M5	PFG-15A-SI	FTF-5A-M5
20	1/8 BSPP	PFTF-20B-NBR-G1	PFG-20B-NBR	PFTF-20B-SI-G1	PFG-20B-SI	FTF-20B-G1
30	1/8 BSPP	PFTF-30-NBR-G1	PFG-30-NBR	PFTF-30-SI-G1	PFG-30-SI	FTF-20B-G1
30	1/4 BSPP	PFTF-30-NBR-G2	PFG-30-NBR	PFTF-30-SI-G2	PFG-30-SI	FTF-20B-G2
40	1/8 BSPP	PFTF-40-NBR-G1	PFG-40-NBR	PFTF-40-SI-G1	PFG-40-SI	FTF-20B-G1
40	1/4 BSPP	PFTF-40-NBR-G2	PFG-40-NBR	PFTF-40-SI-G2	PFG-40-SI	FTF-20B-G2
50	1/8 BSPP	PFTF-50-NBR-G1	PFG-50-NBR	PFTF-50-SI-G1	PFG-50-SI	FTF-50-G1
50	1/4 BSPP	PFTF-50-NBR-G2	PFG-50-NBR	PFTF-50-SI-G2	PFG-50-SI	FTF-50-G2
60	1/4 BSPP	PFTF-60-NBR-G2	PFG-60-NBR	PFTF-60-SI-G2	PFG-60-SI	FTF-60-G2
60	1/4 NPT	PFTF-60-NBR-N2	PFG-60-NBR	PFTF-60-SI-N2	PFG-60-SI	FTF-60-N2
80	1/4 BSPP	PFTF-80-NBR-G2	PFG-80-NBR	PFTF-80-SI-G2	PFG-80-SI	FTF-60-G2
80	1/4 NPT	PFTF-80-NBR-N2	PFG-80-NBR	PFTF-80-SI-N2	PFG-80-SI	FTF-60-N2
95	1/4 NPT	PFTF-95-NBR-N2	PFG-95-NBR	PFTF-95-SI-N2	PFG-95-SI	FTF-60-N2
95	1/4 BSPP	PFTF-95-NBR-G2	PFG-95-NBR	PFTF-95-SI-G2	PFG-95-SI	FTF-60-G2
120	1/2 BSPP	PFTF-120-NBR-G4	PFG-120-NBR	PFTF-120-SI-G4	PFG-120-SI	FTF-120-G4
120	1/2 NPT	PFTF-120-NBR-N4	PFG-120-NBR	PFTF-120-SI-N4	PFG-120-SI	FTF-120-N4
150	1/2 NPT	PFTF-150-NBR-G4	PFG-150-NBR	PFTF-150-SI-G4	PFG-150-SI	FTF-120-G4
150	1/2 NPT	PFTF-150-NBR-N4	PFG-150-NBR	PFTF-150-SI-N4	PFG-150-SI	FTF-120-N4
200	1/2 BSPP	PFTF-200-NBR-G4	PFG-200-NBR	PFTF-200-SI-G4	PFG-200-SI	FTF-120-G4
200	1/2 NPT	PFTF-200-NBR-N4	PFG-200-NBR	PFTF-200-SI-N4	PFG-200-SI	FTF-120-N4

Most popular.

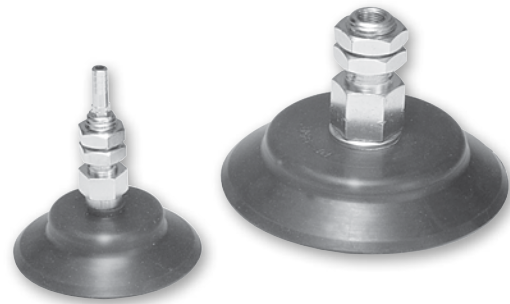
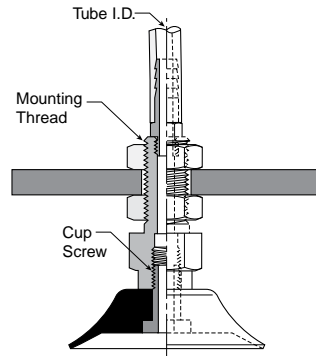


**PFTK Series Barbed Bulkhead**

Top stem connectors secured with jam nuts and allow tubing connections at the top side. Fitting material: nickel plated brass.

**Installation**

**Note:**  
 When installing cup assemblies, use a sealant material to secure the assembly and prevent vacuum leakage.



Cup diameter (mm)	Vacuum port	Complete assembly Nitrile (NBR)	Replacement cup Nitrile (NBR)	Complete assembly Silicon (SI)	Replacement cup Silicon (SI)	Replacement cup fitting
5	Barb	<b>PFTK-5A-NBR</b>	<b>PFG-5A-NBR</b>	<b>PFTK-5A-SI</b>	<b>PFG-5A-SI</b>	<b>FTK-5A</b>
6	Barb	<b>PFTK-6A-NBR</b>	<b>PFG-6A-NBR</b>	<b>PFTK-6A-SI</b>	<b>PFG-6A-SI</b>	<b>FTK-5A</b>
8	Barb	<b>PFTK-8A-NBR</b>	<b>PFG-8A-NBR</b>	<b>PFTK-8A-SI</b>	<b>PFG-8A-SI</b>	<b>FTK-5A</b>
10	Barb	<b>PFTK-10A-NBR</b>	<b>PFG-10A-NBR</b>	<b>PFTK-10A-SI</b>	<b>PFG-10A-SI</b>	<b>FTK-5A</b>
15	Barb	<b>PFTK-15-NBR</b>	<b>PFG-15-NBR</b>	<b>PFTK-15-SI</b>	<b>PFG-15-SI</b>	<b>FTK-15</b>
20	Barb	<b>PFTK-20-NBR</b>	<b>PFG-20-NBR</b>	<b>PFTK-20-SI</b>	<b>PFG-20-SI</b>	<b>FTK-20</b>
30	Barb	<b>PFTK-30-NBR</b>	<b>PFG-30-NBR</b>	<b>PFTK-30-SI</b>	<b>PFG-30-SI</b>	<b>FTK-25</b>
40	Barb	<b>PFTK-40-NBR</b>	<b>PFG-40-NBR</b>	<b>PFTK-40-SI</b>	<b>PFG-40-SI</b>	<b>FTK-25</b>
50	Barb	<b>PFTK-50-NBR</b>	<b>PFG-50-NBR</b>	<b>PFTK-50-SI</b>	<b>PFG-50-SI</b>	<b>FTK-50</b>
60	1/8 BSPP	<b>PFTK-60-NBR-G1</b>	<b>PFG-60-NBR</b>	<b>PFTK-60-SI-G1</b>	<b>PFG-60-SI</b>	<b>FTK-60-G1</b>
60	1/8 NPT	<b>PFTK-60-NBR-N1</b>	<b>PFG-60-NBR</b>	<b>PFTK-60-SI-N1</b>	<b>PFG-60-SI</b>	<b>FTK-60-N1</b>
80	1/8 BSPP	<b>PFTK-80-NBR-G1</b>	<b>PFG-80-NBR</b>	<b>PFTK-80-SI-G1</b>	<b>PFG-80-SI</b>	<b>FTK-60-G1</b>
80	1/8 NPT	<b>PFTK-80-NBR-N1</b>	<b>PFG-80-NBR</b>	<b>PFTK-80-SI-N1</b>	<b>PFG-80-SI</b>	<b>FTK-60-N1</b>
95	1/8 BSPP	<b>PFTK-95-NBR-G1</b>	<b>PFG-95-NBR</b>	<b>PFTK-95-SI-G1</b>	<b>PFG-95-SI</b>	<b>FTK-60-G1</b>
95	1/8 NPT	<b>PFTK-95-NBR-N1</b>	<b>PFG-95-NBR</b>	<b>PFTK-95-SI-N1</b>	<b>PFG-95-SI</b>	<b>FTK-60-N1</b>

Most popular.



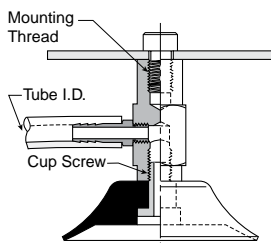
**PFYK Series 90° Barbed Adapter**

Side stem connectors allow you to secure the stem with a bolt thru a plate or "L" bracket to allow the tube connection from the side port. Fitting material: plated brass.

**Installation**

**Note:**

When installing cup assemblies, use a sealant material to secure the assembly and prevent vacuum leakage.



Cup diameter (mm)	Vacuum port	Complete assembly Nitrile (NBR)	Replacement cup Nitrile (NBR)	Complete assembly Silicon (SI)	Replacement cup Silicon (SI)	Replacement cup fitting
5	Barb	<b>PFYK-5A-NBR</b>	PFG-5A-NBR	PFYK-5A-SI	PFG-5A-SI	FYK-5A
6	Barb	<b>PFYK-6A-NBR</b>	PFG-6A-NBR	PFYK-6A-SI	PFG-6A-SI	FYK-5A
8	Barb	<b>PFYK-8A-NBR</b>	PFG-8A-NBR	PFYK-8A-SI-M5	PFG-8A-SI	FYK-5A
10	Barb	<b>PFYK-10A-NBR</b>	PFG-10A-NBR	PFYK-10A-SI	PFG-10A-SI	FYK-5A
15	Barb	<b>PFYK-15-NBR</b>	PFG-15-NBR	PFYK-15-SI	PFG-15-SI	FYK-15
20	Barb	<b>PFYK-20-NBR</b>	PFG-20-NBR	PFYK-20-SI	PFG-20-SI	FYK-20
30	Barb	<b>PFYK-30-NBR</b>	PFG-30-NBR	PFYK-30-SI	PFG-30-SI	FYK-25
40	Barb	<b>PFYK-40-NBR</b>	PFG-40-NBR	PFYK-40-SI	PFG-40-SI	FYK-25
50	Barb	<b>PFYK-50-NBR</b>	PFG-50-NBR	PFYK-50-SI	PFG-50-SI	FYK-50
60	1/8 BSPP	<b>PFYK-60-NBR-G1</b>	PFG-60-NBR	PFYK-60-SI-G1	PFG-60-SI	FYK-60-G1
60	1/8 NPT	<b>PFYK-60-NBR-N1</b>	PFG-60-NBR	PFYK-60-SI-N1	PFG-60-SI	FYK-60-N1
80	1/8 BSPP	<b>PFYK-80-NBR-G1</b>	PFG-80-NBR	PFYK-80-SI-G1	PFG-80-SI	FYK-60-G1
80	1/8 NPT	<b>PFYK-80-NBR-N1</b>	PFG-80-NBR	PFYK-80-SI-N1	PFG-80-SI	FYK-60-N1
95	1/8 BSPP	<b>PFYK-95-NBR-G1</b>	PFG-95-NBR	PFYK-95-SI-G1	PFG-95-SI	FYK-60-G1
95	1/8 NPT	<b>PFYK-95-NBR-N1</b>	PFG-95-NBR	PFYK-95-SI-N1	PFG-95-SI	FYK-60-N1
120	1/8 BSPP	<b>PFYK-120-NBR-G1</b>	PFG-120-NBR	PFYK-120-SI-G1	PFG-120-SI	FYK-120-G1
120	1/8 NPT	<b>PFYK-120-NBR-N1</b>	PFG-120-NBR	PFYK-120-SI-N1	PFG-120-SI	FYK-120-N1
150	1/8 BSPP	<b>PFYK-150-NBR-G1</b>	PFG-150-NBR	PFYK-150-SI-G1	PFG-150-SI	FYK-120-G1
150	1/8 NPT	<b>PFYK-150-NBR-N1</b>	PFG-150-NBR	PFYK-150-SI-N1	PFG-150-SI	FYK-120-N1
200	1/8 BSPP	<b>PFYK-200-NBR-G1</b>	PFG-200-NBR	PFYK-200-SI-G1	PFG-200-SI	FYK-120-G1
200	1/8 NPT	<b>PFYK-200-NBR-N1</b>	PFG-200-NBR	PFYK-200-SI-N1	PFG-200-SI	FYK-120-N1

Most popular.

**C**  
 Vacuum Cups  
 Vacuum Products  
 PFG Series  
 PBG Series  
 PSV-CFS Series  
 PJG Series  
 PCG Series  
 PUGB Series

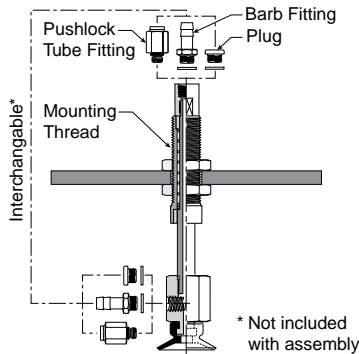


**PFTYS Series Bulkhead Level Compensator**

303 stainless steel construction secured with jam nuts. Spring biased compensators can absorb impacts of down-strokes and adjust for different levels of pick up points. 303 stainless corrosion resistant materials with drymet bushings increases the strength and life.

**Installation**

**Note:**  
 When installing cup assemblies, use a sealant material to secure the assembly and prevent vacuum leakage.



Cup dia. (mm)	Vacuum port	Stroke (mm)	Spring compression Force lbf (N)	Cup material Nitrile assembly (NBR)	Replacement cup Nitrile (NBR)	Cup material Silicon assembly (SI)	Replacement cup Silicon (SI)	Level Compensator P/N	
			0%	100%					
5	M5	10	.14 (.61)	.26 (1.17)	PFTYS5A10NBRM5	PFG-5A-NBR	PFTYS5A10SIM5	PFG-5A-SI	TYS-5A-10
5	M5	15	.15 (.64)	.26 (1.17)	PFTYS5A15NBRM5	PFG-5A-NBR	PFTYS5A15SIM5	PFG-5A-SI	TYS-5A-15
6	M5	10	.14 (.61)	.26 (1.17)	PFTYS6A10NBRM5	PFG-6A-NBR	PFTYS6A10SIM5	PFG-6A-SI	TYS-5A-10
6	M5	15	.15 (.64)	.26 (1.17)	PFTYS6A15NBRM5	PFG-6A-NBR	PFTYS6A15SIM5	PFG-6A-SI	TYS-5A-15
8	M5	10	.14 (.61)	.26 (1.17)	PFTYS8A10NBRM5	PFG-8A-NBR	PFTYS8A10SIM5	PFG-8A-SI	TYS-5A-10
8	M5	15	.15 (.64)	.26 (1.17)	PFTYS8A15NBRM5	PFG-8A-NBR	PFTYS8A15SIM5	PFG-8A-SI	TYS-5A-15
10	M5	10	.11 (.49)	.13 (.59)	PFTYS10A10NBRM5	PFG-10A-NBR	PFTYS10A10SIM5	PFG-10A-SI	TYS-5A-10
10	M5	15	.11 (.49)	.13 (.59)	PFTYS10A15NBRM5	PFG-10A-NBR	PFTYS10A15SIM5	PFG-10A-SI	TYS-5A-15
15	M5	10	.11 (.49)	.13 (.59)	PFTYS15A10NBRM5	PFG-15A-NBR	PFTYS15A10SIM5	PFG-15A-SI	TYS-5A-10
15	M5	15	.11 (.49)	.13 (.59)	PFTYS15A15NBRM5	PFG-15A-NBR	PFTYS15A15SIM5	PFG-15A-SI	TYS-5A-15
20	M5	15	.56 (2.5)	.79 (3.4)	PFTYS20B15NBRM5	PFG-20B-NBR	PFTYS20B15SIM5	PFG-20B-SI	TYS-20B-15
20	M5	30	.56 (2.5)	1.2 (4.9)	PFTYS20B30NBRM5	PFG-20B-NBR	PFTYS20B30SIM5	PFG-20B-SI	TYS-20B-30
30	M5	15	.56 (2.5)	.79 (3.4)	PFTYS3015NBRM5	PFG-30-NBR	PFTYS3015SIM5	PFG-30-SI	TYS-20B-15
30	M5	30	.56 (2.5)	1.2 (4.9)	PFTYS3030NBRM5	PFG-30-NBR	PFTYS3030SIM5	PFG-30-SI	TYS-20B-30
40	M5	15	.56 (2.5)	.79 (3.4)	PFTYS4015NBRM5	PFG-40-NBR	PFTYS4015SIM5	PFG-40-SI	TYS-20B-15
40	M5	30	.56 (2.5)	1.2 (4.9)	PFTYS4030NBRM5	PFG-40-NBR	PFTYS4030SIM5	PFG-40-SI	TYS-20B-30
50	M5	15	.56 (2.5)	1.2 (4.9)	PFTYS5015NBRM5	PFG-50-NBR	PFTYS5015SIM5	PFG-50-SI	TYS-50-15
50	M5	30	.67 (2.9)	1.4 (5.9)	PFTYS5030NBRM5	PFG-50-NBR	PFTYS5030SIM5	PFG-50-SI	TYS-50-30
60	1/8 NPT	30	1.6 (6.8)	3.6 (15.6)	PFTYS6030NBRN1	PFG-60-NBR	PFTYS6030SIN1	PFG-60-SI	TYS-60-30
60	1/8 NPT	50	1.9 (8.3)	4.5 (19.6)	PFTYS6050NBRN1	PFG-60-NBR	PFTYS6050SIN1	PFG-60-SI	TYS-60-50
80	1/8 NPT	30	1.6 (6.8)	3.6 (15.6)	PFTYS8030NBRN1	PFG-80-NBR	PFTYS8030SIN1	PFG-80-SI	TYS-60-30
80	1/8 NPT	50	1.9 (8.3)	4.5 (19.6)	PFTYS8050NBRN1	PFG-80-NBR	PFTYS8050SIN1	PFG-80-SI	TYS-60-50
95	1/8 NPT	30	1.6 (6.8)	3.6 (15.6)	PFTYS9530NBRN1	PFG-95-NBR	PFTYS9530SIN1	PFG-95-SI	TYS-60-30
95	1/8 NPT	50	1.9 (8.3)	4.5 (19.6)	PFTYS9550NBRN1	PFG-95-NBR	PFTYS9550SIN1	PFG-95-SI	TYS-60-50
120	1/4 NPT	20	3.6 (15.6)	6.8 (29)	PFTYS12020NBRN2	PFG-120-NBR	PFTYS12020SIN2	PFG-120-SI	TYS-120-20
120	1/4 NPT	70	3.4 (14.7)	6.8 (29)	PFTYS12070NBRN2	PFG-120-NBR	PFTYS12070SIN2	PFG-120-SI	TYS-120-70
150	1/4 NPT	20	3.6 (15.6)	6.8 (29)	PFTYS15020NBRN2	PFG-150-NBR	PFTYS15020SIN2	PFG-150-SI	TYS-120-20
150	1/4 NPT	70	3.4 (14.7)	6.8 (29)	PFTYS15070NBRN2	PFG-150-NBR	PFTYS15070SIN2	PFG-150-SI	TYS-120-70
200	1/4 NPT	20	3.6 (15.6)	6.8 (29)	PFTYS20020NBRN2	PFG-200-NBR	PFTYS20020SIN2	PFG-200-SI	TYS-120-20
200	1/4 NPT	70	3.4 (14.7)	6.8 (29)	PFTYS20070NBRN2	PFG-200-NBR	PFTYS20070SIN2	PFG-200-SI	TYS-120-70

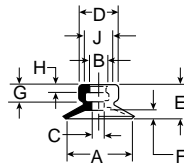
☐ Most popular.

**C**  
 Vacuum Cups  
 Vacuum Products  
 PFG Series  
 PBG Series  
 P5V-CFS Series  
 PJG Series  
 PCG Series  
 PUGB Series

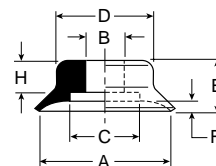


**PFG Series Replacement Cup Dimensions**

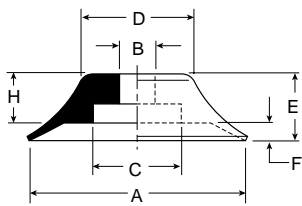
**PFG-5A  
PFG-15A**



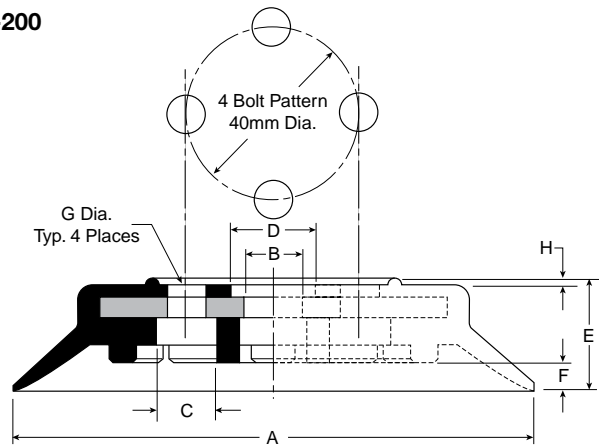
**PFG-15 thru  
PFG-40**



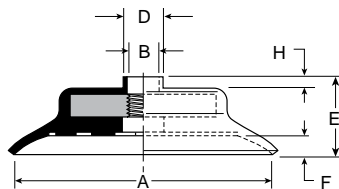
**PFG-50**



**PFG-120 thru  
PFG-200**



**PFG-60 thru  
PFG-95**



**C**  
**Vacuum Cups**  
**Vacuum Products**

**PFG**  
**Series**

**PBG**  
**Series**

**PSV-CFS**  
**Series**

**PJG**  
**Series**

**PCG**  
**Series**

**PUGB**  
**Series**

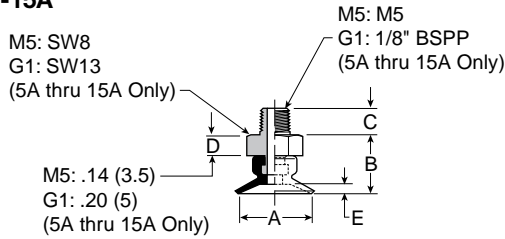
Model number	ØA	ØB	ØC	ØD	E	F	G	H	ØJ
PFG-5A-*	.20 (5)	.16 (4)	.06 (1.4)	.30 (7.5)	.26 (6.5)	.03 (.8)	.16 (4)	.08 (2)	.24 (6)
PFG-6A-*	.24 (6)	.16 (4)	.08 (2)	.30 (7.5)	.26 (6.5)	.03 (.8)	.16 (4)	.08 (2)	.24 (6)
PFG-8A-*	.31 (8)	.16 (4)	.08 (2)	.31 (8)	.28 (7)	.05 (1.2)	.16 (4)	.08 (2)	.24 (6)
PFG-10A-*	.39 (10)	.16 (4)	.08 (2)	.33 (8.5)	.30 (7.5)	.06 (1.5)	.16 (4)	.08 (2)	.24 (6)
PFG-15-*	.59 (15)	—	.31 (7.8)	.47 (12)	.31 (8)	.07 (1.9)	—	—	—
PFG-15A-*	.59 (15)	.16 (4)	.08 (2)	.35 (9)	.31 (8)	.08 (2)	.16 (4)	.08 (2)	.24 (6)
PFG-20-*	.79 (20)	.18 (4.6)	.43 (11)	.59 (15)	.39 (10)	.09 (2.3)	—	.18 (4.5)	—
PFG-20B-*	.79 (20)	.24 (6)	.43 (11)	.59 (15)	.49 (12.5)	.09 (2.3)	—	.28 (7)	—
PFG-30-*	1.18 (30)	.24 (6)	.43 (11)	.55 (14)	.47 (12)	.08 (2)	—	.28 (7)	—
PFG-40-*	1.57 (40)	.24 (6)	.43 (11)	.94 (24)	.55 (14)	.16 (4)	—	.28 (7)	—
PFG-50-*	1.97 (50)	.31 (8)	.79 (20)	1.06 (27)	.59 (15)	.14 (3.5)	—	.28 (7)	—
PFG-60-*	2.36 (60)	M10x1.25	—	.79 (12.5)	.73 (18.5)	.20 (5)	—	.10 (2.5)	—
PFG-80-*	3.15 (80)	M10x1.25	—	.79 (12.5)	.81 (20.5)	.24 (6)	—	.10 (2.5)	—
PFG-95-*	3.74 (95)	M10x1.25	—	.79 (12.5)	.83 (21)	.24 (6)	—	.10 (2.5)	—
PFG-120-*	4.72 (120)	.55 (14)	.55 (14)	.79 (20)	1.00 (25.5)	.24 (6)	4xØ8.7xØ40	.059 (1.5)	—
PFG-150-*	5.91 (150)	.51 (13)	.55 (14)	.79 (20)	1.28 (32.5)	.35 (9)	4xØ8.7xØ40	.059 (1.5)	—
PFG-200-*	7.87 (200)	.51 (13)	.47 (12)	.79 (20)	1.48 (37.5)	.51 (13)	4xØ8.7xØ40	.059 (1.5)	—

Inches (mm)  
\* Cup material

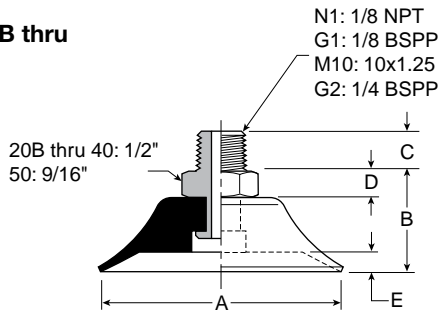


**Dimensions**

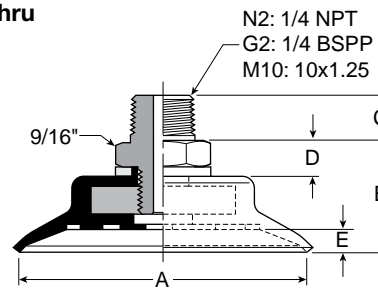
**PFTM-5A thru  
PFTM-15A**



**PFTM-20B thru  
PFTM-50**



**PFTM-60 thru  
PFTM-95**



Model number	ØA	B	C (M3)	C (M5)	C (N1 / G1)	C (M10 / G2)	C (N2)	D	E
PFTM-5A-*†	.20 (5)	.39 (10)	—	.18 (4.5)	.31 (8)	—	—	See Dwg.	.31 (8)
PFTM-6A-*†	.24 (6)	.39 (10)	—	.18 (4.5)	.31 (8)	—	—	See Dwg.	.31 (8)
PFTM-8A-*†	.31 (8)	.41 (10.5)	—	.18 (4.5)	.31 (8)	—	—	See Dwg.	.05 (1.2)
PFTM-10A-*†	.39 (10)	.43 (11)	—	.18 (4.5)	.31 (8)	—	—	See Dwg.	.06 (1.5)
PFTM-15A-*†	.59 (15)	.45 (11.5)	—	.18 (4.5)	.31 (8)	—	—	See Dwg.	.08 (2)
PFTM-20B-*†	.79 (20)	.69 (17.5)	—	—	.31 (8)	.39 (10)	—	.20 (5)	.10 (2.5)
PFTM-30-*†	1.18 (30)	.67 (17)	—	—	.31 (8)	.39 (10)	—	.20 (5)	.08 (2)
PFTM-40-*†	1.57 (40)	.75 (19)	—	—	.31 (8)	.39 (10)	—	.20 (5)	.14 (3.5)
PFTM-50-*†	1.97 (50)	.79 (20)	—	—	.31 (8)	.39 (10)	—	.20 (5)	.16 (4)
PFTM-60-*†	2.36 (60)	.90 (23)	—	—	—	.39 (10)	.59 (15)	.28 (7)	.20 (5)
PFTM-80-*†	3.15 (80)	.98 (25)	—	—	—	.39 (10)	.59 (15)	.28 (7)	.24 (6)
PFTM-95-*†	3.74 (95)	1.00 (25.5)	—	—	—	.39 (10)	.59 (15)	.28 (7)	.24 (6)

Inches (mm)  
\* Cup material  
† Thread size

**C**

Vacuum Cups  
Vacuum Products

PFG Series

PBG Series

P5V-CFS Series

PVG Series

PCG Series

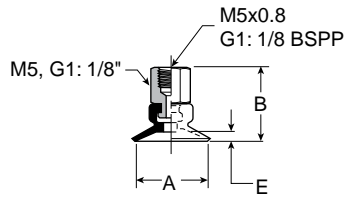
PUGB Series



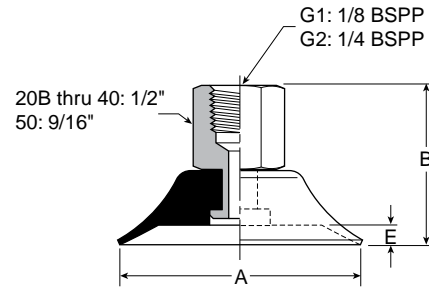


**Dimensions**

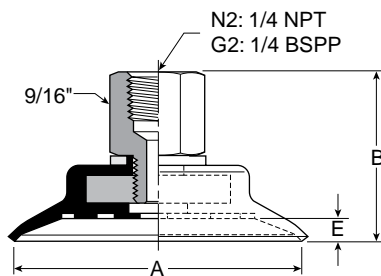
**PFTF-5A thru  
PFTF-15A**



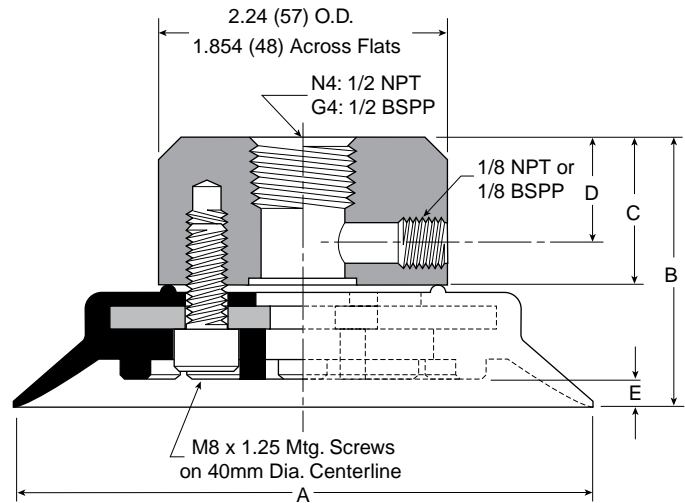
**PFTF-20B thru  
PFTF-50**



**PFTF-60 thru  
PFTF-95**



**PFTF-120 thru  
PFTF-200**



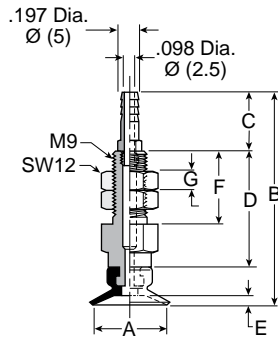
Model number	ØA	B	B (M5)	C	D	E
PFTF-5A-*†	.20 (5)	.57 (14.5)	.81 (20.5)	—	—	.03 (.8)
PFTF-6A-*†	.24 (6)	.57 (14.5)	.81 (20.5)	—	—	.03 (.8)
PFTF-8A-*†	.31 (8)	.59 (15)	.83 (21)	—	—	.05 (1.2)
PFTF-10A-*†	.39 (10)	.57 (14.5)	.81 (20.5)	—	—	.06 (1.5)
PFTF-15A-*†	.59 (15)	.63 (16)	.87 (22)	—	—	.08 (2)
PFTF-20B-*†	.79 (20)	1.04 (26.5)	—	—	—	.10 (2.5)
PFTF-30-*†	1.18 (30)	1.02 (26)	—	—	—	.08 (2)
PFTF-40-*†	1.57 (40)	1.10 (28)	—	—	—	.16 (4)
PFTF-50-*†	1.97 (50)	1.14 (29)	—	—	—	.16 (4)
PFTF-60-*†	2.36 (60)	1.40 (35.5)	—	—	—	.20 (5)
PFTF-80-*†	3.15 (80)	1.48 (37.5)	—	—	—	.24 (6)
PFTF-95-*†	3.74 (95)	1.50 (38)	—	—	—	.24 (6)
PFTF-120-*†	4.72 (120)	1.83 (46.5)	—	.94 (24)	.51 (13)	.24 (6)
PFTF-150-*†	5.91 (150)	2.11 (53.5)	—	.94 (24)	.51 (13)	.35 (9)
PFTF-200-*†	7.87 (200)	2.30 (58.5)	—	.94 (24)	.51 (13)	.51 (13)

Inches (mm)  
\* Cup material  
† Thread size

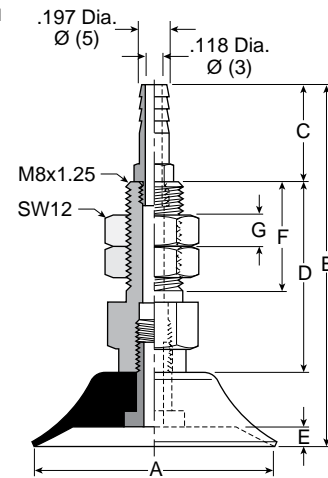
**C**  
**Vacuum Cups**  
**Vacuum Products**  
**Series**  
**PF6**  
**Series**  
**PB6**  
**Series**  
**PSV-CFS**  
**Series**  
**PI6**  
**Series**  
**PC6**  
**Series**  
**PUGB**  
**Series**

**Dimensions**

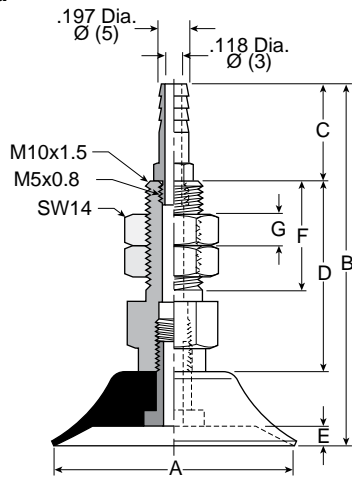
**PFTK-5A thru  
PFTK-10A**



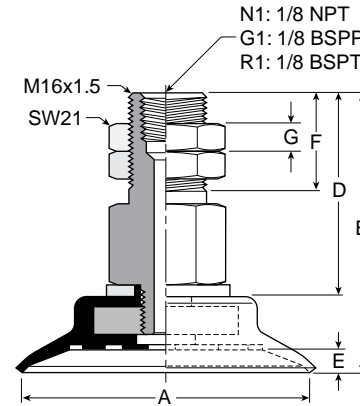
**PFTK-15 thru  
PFTK-20**



**PFTK-30 thru  
PFTK-50**



**PFTK-60 thru  
PFTK-95**



Model number	ØA	B	C	D	E	F	G	Wt oz. (g)
PFTK-5A-*	.20 (5)	1.20 (30.5)	.39 (10)	.55 (14)	.03 (.8)	.61 (15.5)	.12 (3)	.39 (11)
PFTK-6A-*	.24 (6)	1.20 (30.5)	.39 (10)	.55 (14)	.03 (.8)	.61 (15.5)	.12 (3)	.39 (11)
PFTK-8A-*	.31 (8)	1.22 (31)	.39 (10)	.55 (14)	.05 (1.2)	.61 (15.5)	.12 (3)	.39 (11)
PFTK-10A-*	.39 (10)	1.81 (46)	.63 (16)	.88 (22.5)	.06 (1.5)	.61 (15.5)	.12 (3)	.53 (15)
PFTK-15-*	.59 (15)	1.81 (46)	.63 (16)	.86 (22)	.07 (1.9)	.59 (15)	.12 (3)	.71 (20)
PFTK-20-*	.79 (20)	1.89 (48)	.63 (16)	.86 (22)	.09 (2.3)	.59 (15)	.20 (5)	.71 (20)
PFTK-30-*	1.18 (30)	2.36 (60)	.63 (16)	1.26 (32)	.08 (2)	.71 (20)	.20 (5)	1.41 (40)
PFTK-40-*	1.57 (40)	2.44 (62)	.63 (16)	1.26 (32)	.14 (3.5)	.71 (20)	.20 (5)	1.41 (40)
PFTK-50-*	1.97 (50)	2.48 (63)	.63 (16)	1.26 (32)	.16 (4)	.71 (20)	.20 (5)	1.77 (50)
PFTK-60-*,†	2.36 (60)	2.30 (58.5)	—	1.67 (42.5)	.20 (5)	.79 (20)	.24 (6)	4.59 (130)
PFTK-80-*,†	3.15 (80)	2.38 (60.5)	—	1.67 (42.5)	.24 (6)	.79 (20)	.24 (6)	6.00 (170)
PFTK-95-*,†	3.74 (95)	2.40 (61)	—	1.67 (42.5)	.24 (6)	.79 (20)	.24 (6)	7.77 (220)

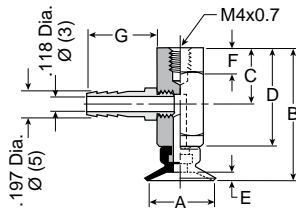
Inches (mm)  
\* Cup material  
† Vacuum port

**C**  
Vacuum Cups  
Vacuum Products  
PFG Series  
PBG Series  
P5V-CFS Series  
PVG Series  
PCG Series  
PUGB Series

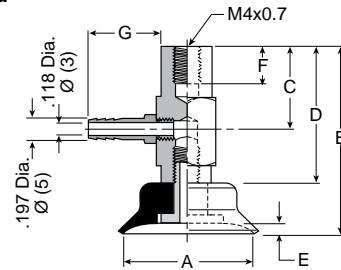


**Dimensions**

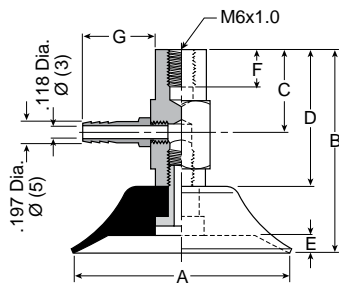
**PFYK-5A thru  
 PFYK-10A**



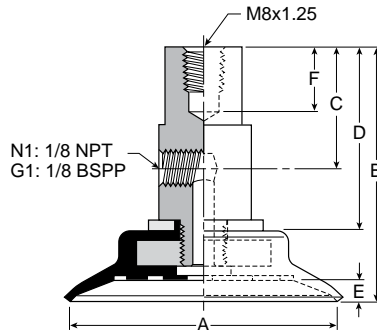
**PFYK-15 thru  
 PFYK-20**



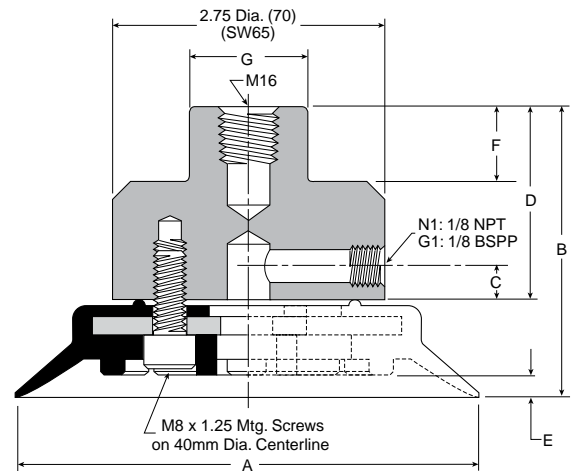
**PFYK-30 thru  
 PFYK-50**



**PFYK-60 thru  
 PFYK-95**



**PFYK-120 thru  
 PFYK-200**



Model number	ØA	B	C	D	E	F	G	Wt oz (g)
PFYK-5A-*	.20 (5)	1.14 (29)	.51 (13)	.89 (22.5)	.03 (.8)	.24 (6)	.63 (16)	.56 (16)
PFYK-6A-*	.24 (6)	1.14 (29)	.51 (13)	.89 (22.5)	.03 (.8)	.24 (6)	.63 (16)	.56 (16)
PFYK-8A-*	.31 (8)	1.16 (29.5)	.51 (13)	.89 (22.5)	.05 (1.2)	.24 (6)	.63 (16)	.56 (16)
PFYK-10A-*	.39 (10)	1.18 (30)	.51 (13)	.89 (22.5)	.06 (1.5)	.24 (6)	.63 (16)	.56 (16)
PFYK-15-*	.59 (15)	1.18 (30)	.55 (14)	.87 (22)	.07 (1.9)	.24 (6)	.63 (16)	.71 (20)
PFYK-20-*	.79 (20)	1.26 (32)	.55 (14)	.87 (22)	.09 (2.3)	.24 (6)	.63 (16)	.71 (20)
PFYK-30-*	1.18 (30)	1.73 (44)	.79 (20)	1.26 (32)	.08 (2)	.31 (8)	.63 (16)	1.41 (40)
PFYK-40-*	1.57 (40)	1.81 (46)	.79 (20)	1.26 (32)	.14 (3.5)	.31 (8)	.63 (16)	1.77 (50)
PFYK-50-*	1.97 (50)	1.85 (47)	.79 (20)	1.26 (32)	.16 (4)	.31 (8)	.63 (16)	1.94 (55)
PFYK-60-*-†	2.36 (60)	2.30 (58.5)	1.10 (28)	1.57 (40)	.20 (5)	.43 (11)	—	4.24 (120)
PFYK-80-*-†	3.15 (80)	2.38 (60.5)	1.10 (28)	1.57 (40)	.24 (6)	.43 (11)	—	5.65 (160)
PFYK-95-*-†	3.74 (95)	2.40 (61)	1.10 (28)	1.57 (40)	.24 (6)	.43 (11)	—	7.42 (210)
PFYK-120-*-†	4.72 (120)	2.94 (75.5)	.47 (12)	1.97 (50)	.24 (6)	.79 (20)	1.18 Dia. (30)	22.6 (640)
PFYK-150-*-†	5.91 (150)	3.25 (82.5)	.47 (12)	1.97 (50)	.35 (9)	.79 (20)	1.18 Dia. (30)	32.1 (910)
PFYK-200-*-†	7.87 (200)	3.44 (87.5)	.47 (12)	1.97 (50)	.51 (13)	.79 (20)	1.18 Dia. (30)	42.4 (1200)

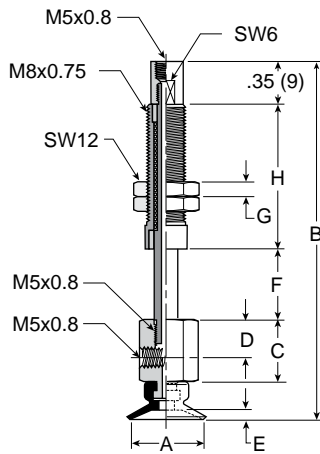
Inches (mm)  
 \* Cup material  
 † Vacuum port

**C**  
 Vacuum Cups  
 Vacuum Products  
 Series  
 PFG  
 PBG  
 PSV-CFS  
 PIG  
 PCG  
 PUGB

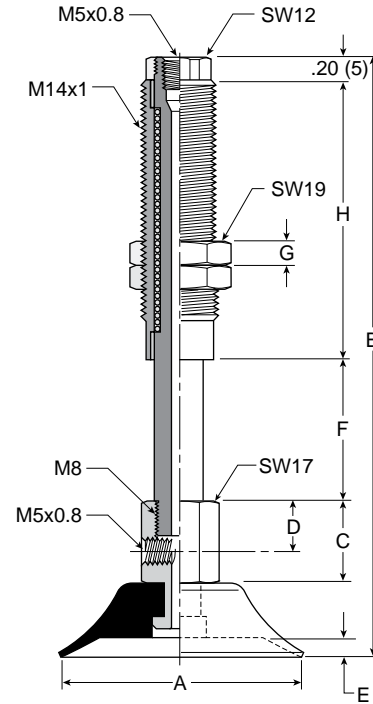


**Dimensions**

**PFTYS5A thru  
PFTYS15A**



**PFTYS20B thru  
PFTYS50**



Model number	ØA	B	C	D	E	F	G	H	Wt oz (g)
PFTYS5A10**	.20 (5)	2.42 (61.5)	.51 (13)	.31 (8)	.03 (.8)	.39 (10)	.12 (3)	.91 (23)	.65 (18.5)
PFTYS5A15**	.20 (5)	2.91 (74)	.51 (13)	.31 (8)	.03 (.8)	.59 (15)	.12 (3)	1.20 (30.5)	.74 (21)
PFTYS6A10**	.24 (6)	2.42 (61.5)	.51 (13)	.31 (8)	.03 (.8)	.39 (10)	.12 (3)	.91 (23)	.65 (18.5)
PFTYS6A15**	.24 (6)	2.91 (74)	.51 (13)	.31 (8)	.03 (.8)	.59 (15)	.12 (3)	1.20 (30.5)	.74 (21)
PFTYS8A10**	.31 (8)	2.44 (62)	.51 (13)	.31 (8)	.05 (1.2)	.39 (10)	.12 (3)	.91 (23)	.65 (18.5)
PFTYS8A15**	.31 (8)	2.93 (74.5)	.51 (13)	.31 (8)	.05 (1.2)	.59 (15)	.12 (3)	1.20 (30.5)	.74 (21)
PFTYS10A10**	.39 (10)	2.48 (63)	.51 (13)	.31 (8)	.06 (1.5)	.39 (10)	.12 (3)	.91 (23)	.65 (18.5)
PFTYS10A15**	.39 (10)	2.95 (75)	.51 (13)	.31 (8)	.06 (1.5)	.59 (15)	.12 (3)	1.20 (30.5)	.74 (21)
PFTYS15A10**	.59 (15)	2.50 (63.5)	.51 (13)	.31 (8)	.08 (2)	.39 (10)	.12 (3)	.91 (23)	.65 (18.5)
PFTYS15A15**	.59 (15)	2.97 (75.5)	.51 (13)	.31 (8)	.08 (2)	.59 (15)	.12 (3)	1.20 (30.5)	.74 (21)
PFTYS20B15**	.79 (20)	3.37 (85.5)	.67 (17)	.39 (10)	.09 (2.3)	.59 (15)	.20 (5)	1.42 (36)	2.5 (71)
PFTYS20B30**	.79 (20)	4.82 (122.5)	.67 (17)	.39 (10)	.09 (2.3)	1.18 (30)	.20 (5)	2.28 (58)	3.4 (96)
PFTYS3015**	1.18 (30)	3.35 (85)	.67 (17)	.39 (10)	.08 (2)	.59 (15)	.20 (5)	1.42 (36)	2.5 (72)
PFTYS3030**	1.18 (30)	4.80 (122)	.67 (17)	.39 (10)	.08 (2)	1.18 (30)	.20 (5)	2.28 (58)	3.5 (97)
PFTYS4015**	1.57 (40)	3.43 (87)	.67 (17)	.39 (10)	.14 (3.5)	.59 (15)	.20 (5)	1.42 (36)	2.7 (76)
PFTYS4030**	1.57 (40)	4.88 (124)	.67 (17)	.39 (10)	.14 (3.5)	1.18 (30)	.20 (5)	2.28 (58)	3.6 (101)
PFTYS5015**	1.97 (50)	3.46 (88)	.67 (17)	.39 (10)	.16 (4)	.59 (15)	.20 (5)	1.42 (36)	3.0 (85)
PFTYS5030**	1.97 (50)	4.92 (125)	.67 (17)	.39 (10)	.16 (4)	1.18 (30)	.20 (5)	2.28 (58)	3.9 (110)

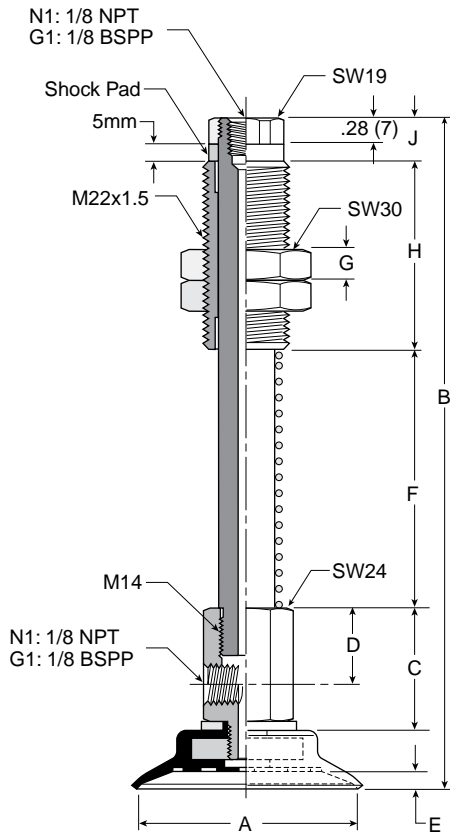
Inches (mm)  
\* Cup material  
† Vacuum port

**C**  
Vacuum Cups  
Vacuum Products  
PFG Series  
PBG Series  
P5V-CFS Series  
PJP Series  
PCG Series  
PUGB Series

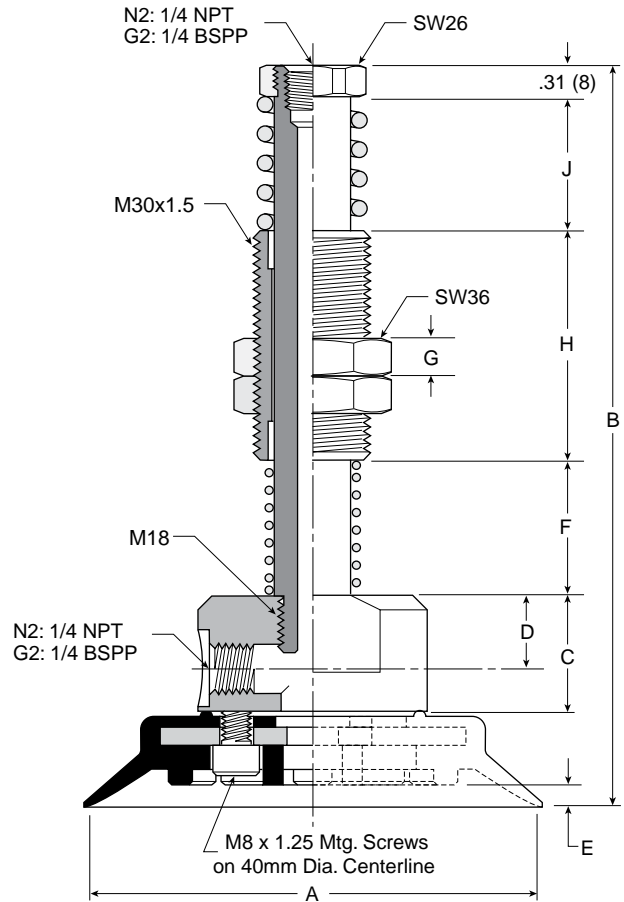


**Dimensions**

**PFTYS60 thru  
PFTYS95**



**PFTYS120 thru  
PFTYS200**



**C**  
 Vacuum Cups  
 Vacuum Products  
 PFG Series  
 PBG Series  
 PSV-CFS Series  
 PJG Series  
 PCG Series  
 PUGB Series

Model number	ØA	B	C	D	E	F	G	H	J	Wt oz (g)
PFTYS6030**	2.36 (60)	6.02 (153)	1.28 (32.5)	.78 (20)	.20 (5)	1.77 (45)	.39 (10)	1.97 (50)	.47 (12)	9.7 (282)
PFTYS6050**	2.36 (60)	7.01 (178)	1.28 (32.5)	.78 (20)	.20 (5)	2.76 (70)	.39 (10)	1.97 (50)	.47 (12)	11.2 (316)
PFTYS8030**	3.15 (80)	6.10 (155)	1.28 (32.5)	.78 (20)	.24 (6)	1.77 (45)	.39 (10)	1.97 (50)	.47 (12)	11 (310)
PFTYS8050**	3.15 (80)	7.09 (180)	1.28 (32.5)	.78 (20)	.24 (6)	2.76 (70)	.39 (10)	1.97 (50)	.47 (12)	12.2 (344)
PFTYS9530**	3.74 (95)	6.12 (156)	1.28 (32.5)	.78 (20)	.24 (6)	1.77 (45)	.39 (10)	1.97 (50)	.47 (12)	12.4 (350)
PFTYS9550**	3.74 (95)	7.11 (181)	1.28 (32.5)	.78 (20)	.24 (6)	2.76 (70)	.39 (10)	1.97 (50)	.47 (12)	13.6 (384)
PFTYS12020**	4.72 (120)	7.56 (192)	1.28 (32.5)	.71 (18)	.24 (6)	1.38 (35)	.39 (10)	2.36 (60)	1.38 (35)	41.2 (1165)
PFTYS12070**	4.72 (120)	10.12 (257)	1.28 (32.5)	.71 (18)	.24 (6)	3.94 (100)	.39 (10)	2.36 (60)	1.38 (35)	44 (1246)
PFTYS15020**	5.91 (150)	7.83 (199)	1.28 (32.5)	.71 (18)	.35 (9)	1.38 (35)	.39 (10)	2.36 (60)	1.38 (35)	49 (1389)
PFTYS15070**	5.91 (150)	10.39 (264)	1.28 (32.5)	.71 (18)	.35 (9)	3.94 (100)	.39 (10)	2.36 (60)	1.38 (35)	52 (1471)
PFTYS20020**	7.87 (200)	8.03 (204)	1.28 (32.5)	.71 (18)	.51 (13)	1.38 (35)	.39 (10)	2.36 (60)	1.38 (35)	62 (1755)
PFTYS20070**	7.87 (200)	10.59 (269)	1.28 (32.5)	.71 (18)	.51 (13)	3.94 (100)	.39 (10)	2.36 (60)	1.38 (35)	64.9 (1836)

Inches (mm)  
 \* Cup material  
 † Vacuum port

