

The range of Stainless Steel FRLs are ideal for use in the food industry, the petrochemical or process industries or any application in a particularly harsh or aggressive environment.

- Stainless steel construction handles most corrosive environments
- Large diaphragm to valve area ratio for precise regulation and high flow capacity
- Meets NACE specifications MR-01-75/ISO 15156



WARNING
 Product rupture can cause serious injury.
 Do not connect regulator to bottled gas.
 Do not exceed maximum primary pressure rating.

CAUTION: REGULATOR PRESSURE ADJUSTMENT –
 The working range of knob adjustment is designed to permit outlet pressures within their full range. Pressure adjustment beyond this range is also possible because the knob is not a limiting device. This is a common characteristic of most industrial regulators, and limiting devices may be obtained only by special design. For best performance, regulated pressure should always be set by increasing the pressure up to the desired setting.

Operating information		
	PB548 & PB558	PB11 & PB12
Operating pressure:	300 PSIG max (20.7 bar)	300 PSIG max (20.7 bar)
Operating temperature:	PB548: 0°F to 150°F (-18°C to 66°C)	PB11: 0°F to 150°F (-18°C to 66°C)
	PB558: 0°F to 180°F (-18°C to 82°C)	PB12: 0°F to 180°F (-18°C to 82°C)
Flow / SCFM (dm ³ /s):	12 (5.66)	72 (33.98)
For technical information see CD		

Filter / Regulators

	Port size	Adjustment type	Drain type	Flow SCFM (dm ³ /s) ft/min@100 PSI	Part number 0 to 125 PSIG
	1/4	Knob version	Manual twist	12 (5.66)	PB548-02DHCSS
	1/4	All metal version	Manual twist	12 (5.66)	PB558-02DHCSS
	1/2	Knob version	Manual twist	72 (33.98)	PB11-04WJCSS
	1/2	Knob version	Auto float	72 (33.98)	PB11-04WJCRSS
	1/2	T-handle version	Manual twist	72 (33.98)	PB12-04WJCSS
	1/2	T-handle version	Auto float	72 (33.98)	PB12-04WJCRSS

Service kits

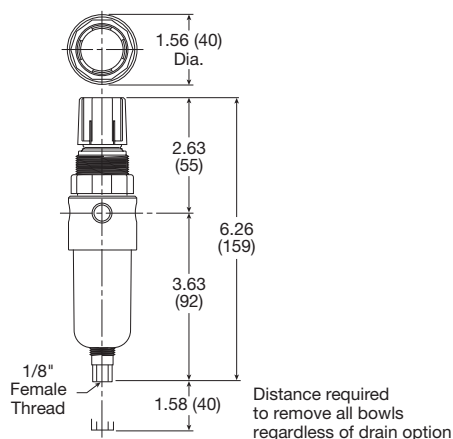
Description		PB548	PB558	PB11	PB12
Bonnet kit		CKR364YSS	CKR354YSS	CKR10YSS	CKR11YSS
Drain kit -	automatic pulse	RK504SY-SS	RK504SY-SS		
	automatic float			SA10MDSS	SA10MDSS
	manual twist, small (old)	SA600Y7-1SS	SA600Y7-1SS	SA600Y7-1SS	SA600Y7-1SS
	manual twist, large (new)	SAP05481	SAP05481	SAP05481	SAP05481
Filter element kits particulate	5 micron	EK504VY	EK504VY	EKF10VY	EKF10VY
	20 micron	EK504Y	EK504Y		
	40 micron			EKF10Y	EKF10Y
Gauge, stainless 160 PSIG (0 to 1100 kPa)	1-1/2" Face	K4515N14160SS	K4515N14160SS		
	2" Face			K4520N14160SS	K4520N14160SS
Panel mount bracket (stainless)		161X57-SS	161X57-SS	R10Y57-SS	R10Y57-SS
Panel mount nut -	stainless	R05X51-SS	R05X51-SS	R10X51-SS	R10X51-SS
	plastic	R05X51-P	R05X51-P	R10X51-P	R10X51-P
Pipe nipple, 316 stainless steel		616Y28-SS	616Y28-SS	616A28-SS	616A28-SS
Service kit -	relieving	RK549YSS	RK549YSS	RKR10YSS	RKR10YSS
	non-relieving	RK548YSS	RK548YSS	RKR10KYSS	RKR10KYSS
Springs -	0-25 PSIG range	SPR-375-2-SS	SPR-375-2-SS		
	0-60 PSIG range	SPR-376-1-SS	SPR-376-1-SS	SPR-388-1-SS	SPR-388-1-SS
	0-125 PSIG range	SPR-377-1-SS	SPR-377-1-SS	SPR-389-1-SS	SPR-389-1-SS
	0-250 PSIG range			SPR-390-1-SS	SPR-390-1-SS

Most popular.

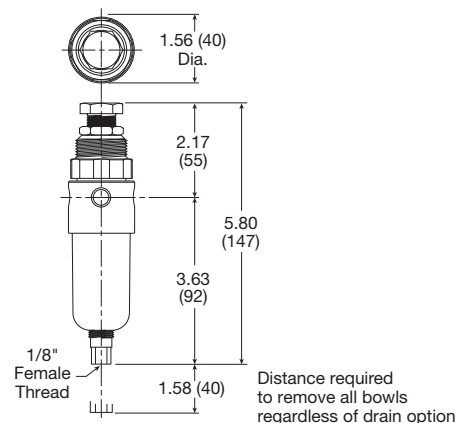


Stainless Steel Air Preparation Products	Filters
	Regulators
Filter Regulators	Regulators
Lubricators	Lubricators

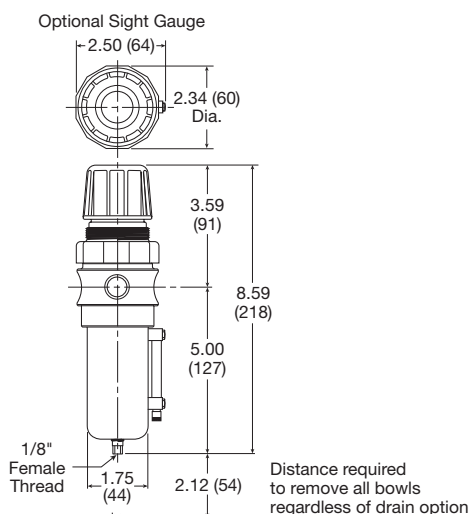
PB548



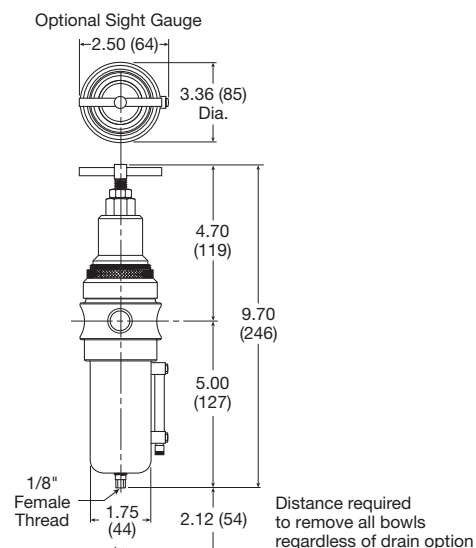
PB588



PB11



PB12



Specifications

Description	PB548	PB588	PB11	PB12
Filter rating	20 micron	20 micron	40 micron	40 micron
Gauge port	1/4	1/4	1/4	1/4
Operation	Fluorocarbon diaphragm	Fluorocarbon diaphragm	Fluorocarbon diaphragm	Fluorocarbon diaphragm
Port threads	1/4	1/4	1/2	1/2
Weight	0.6 lb. (0.27 kg)	0.6 lb. (0.27 kg)	2.42 lb. (1.09 kg)	2.42 lb. (1.09 kg)

Material specifications

Description	PB548	PB588	PB11	PB12
Adjustment mechanism / springs	316 stainless steel	316 stainless steel	316 stainless steel	316 stainless steel
Adjusting knob	Polypropylene	316 stainless steel	Acetal	316 stainless steel
Body / poppet	316 stainless steel	316 stainless steel	316 stainless steel	316 stainless steel
Bonnet	Acetal	316 stainless steel	Acetal	316 stainless steel
Bottom plug	316 stainless steel	316 stainless steel	316 stainless steel	316 stainless steel
Seals	Fluorocarbon	Fluorocarbon	Fluorocarbon	Fluorocarbon
Sight gauge			Isoplast	Isoplast

